

PRELIMINARY SPEC

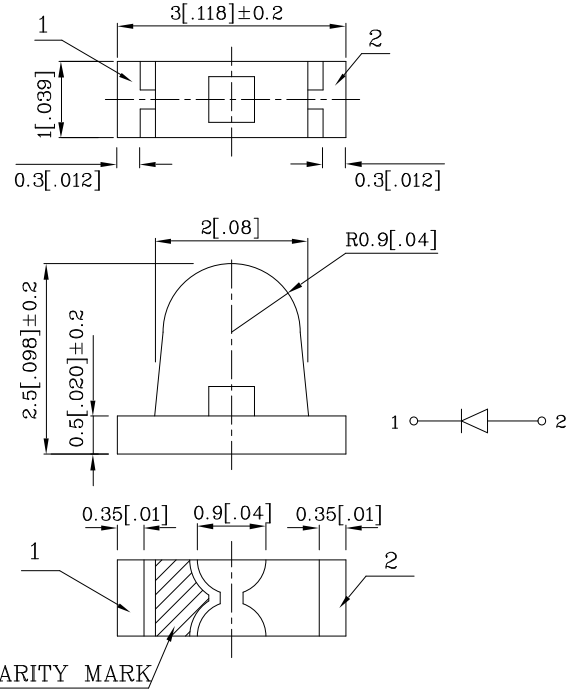
Features

- 3.0mm x 1.0mm RIGHT ANGLE SMT LED, 2.5mm THICKNESS.
- LOW POWER CONSUMPTION.
- WIDE VIEWING ANGLE.
- IDEAL FOR BACK LIGHT AND INDICATOR.
- VARIOUS COLORS AND LENS TYPES AVAILABLE.
- PACKAGE : 2000PCS / REEL.
- MOISTURE SENSITIVITY LEVEL : LEVEL 3.
- RoHS COMPLIANT.



Notes:

1. All dimensions are in millimeters (inches).
2. Tolerance is $\pm 0.15(0.006")$ unless otherwise noted.
3. Specifications are subject to change without notice.

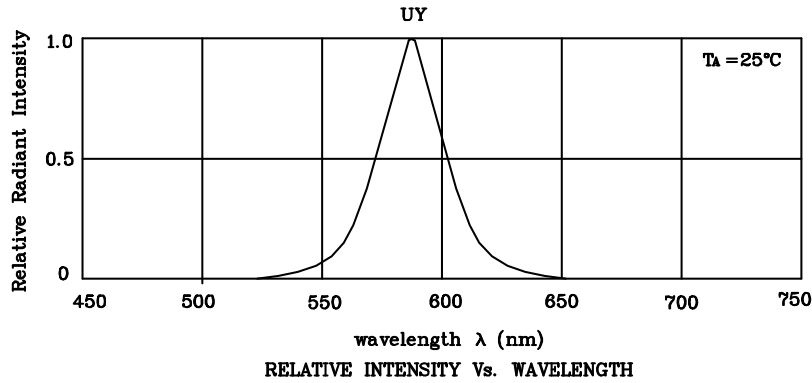


POLARITY MARK

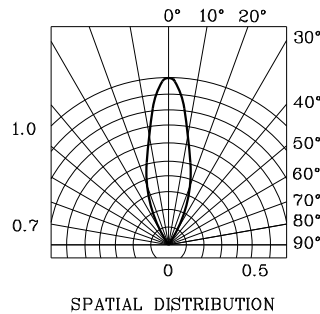
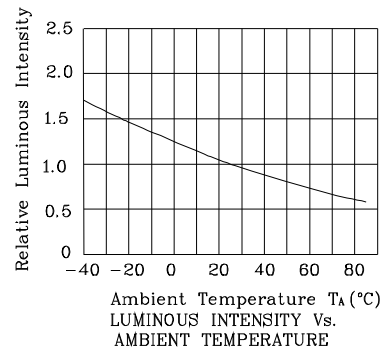
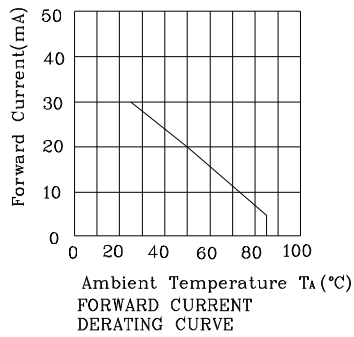
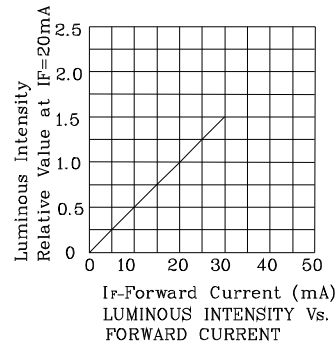
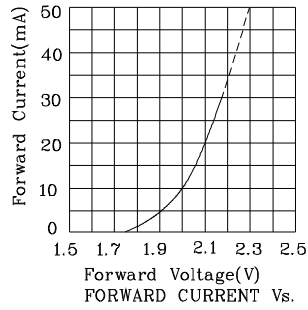
| Absolute Maximum Ratings (TA=25°C) | | UY (GaAsP/GaP) | Unit |
|----------------------------------------------------------------|------------------|-------------------|------|
| Reverse Voltage | V _R | 5 | V |
| Forward Current | I _F | 30 | mA |
| Forward Current (Peak) 1/10 Duty Cycle 0.1ms Pulse Width | i _{FS} | 140 | mA |
| Power Dissipation | P _T | 75 | mW |
| Operating Temperature | T _A | -40 ~ +85 | °C |
| Storage Temperature | T _{stg} | -40 ~ +85 | |

| Operating Characteristics (TA=25°C) | | UY (GaAsP/GaP) | Unit |
|------------------------------------------------------------------------------|----------------|-------------------|------|
| Forward Voltage (Typ.) (I _F =20mA) | V _F | 2.1 | V |
| Forward Voltage (Max.) (I _F =20mA) | V _F | 2.5 | V |
| Reverse Current (Max.) (V _R =5V) | I _R | 10 | uA |
| Wavelength of Peak Emission (Typ.) (I _F =20mA) | λ P | 590 | nm |
| Wavelength of Dominant Emission (Typ.) (I _F =20mA) | λ D | 588 | nm |
| Spectral Line Full Width At Half-Maximum (Typ.) (I _F =20mA) | Δλ | 35 | nm |
| Capacitance (Typ.) (V _F =0V, f=1MHz) | C | 20 | pF |

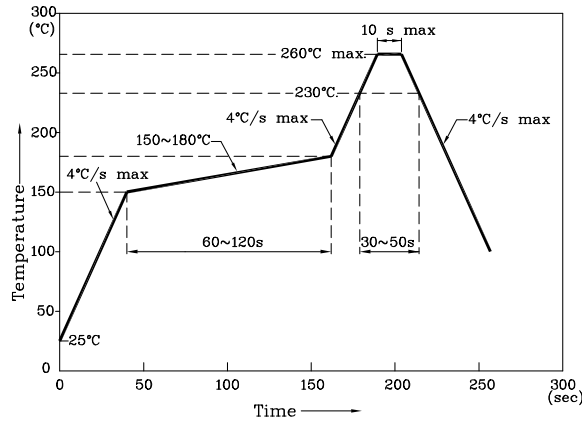
| Part Number | Emitting Color | Emitting Material | Lens-color | Luminous Intensity (I _F =20mA) mcd | | Wavelength nm λ P | Viewing Angle 2 θ 1/2 |
|---------------------------------------------------------------------------------------------------|----------------|-------------------|-------------|-----------------------------------------------------|------|-------------------------|--------------------------|
| | | | | min. | typ. | | |
| ZUY56W-1 | Yellow | GaAsP/GaP | Water Clear | 2.6 | 7 | 590 | 30° |
| Published Date : FEB 25,2008 Drawing No : SDSA6248 V1 Checked : B.L.LIU P.1/4 | | | | | | | |



❖ UY



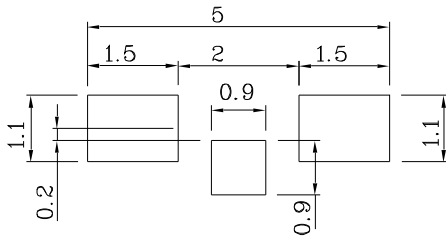
Reflow Soldering Profile For Lead-free SMT Process.



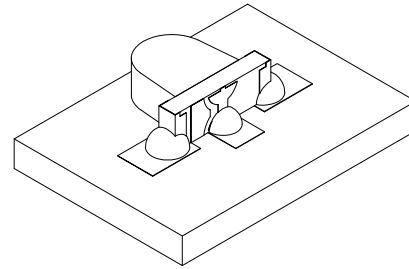
NOTES:

1. Maximum soldering temperature should not exceed 260°C.
2. Recommended reflow temperature: 145°C-260°C.
3. Do not put stress to the epoxy resin during high temperatures conditions.

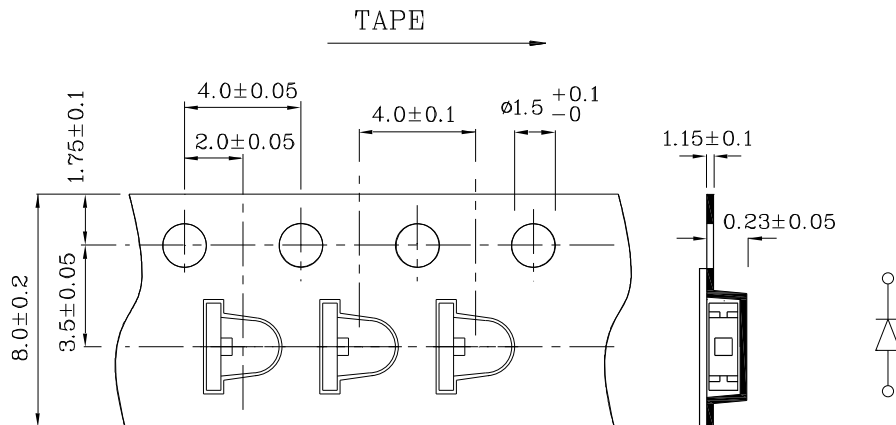
❖ Recommended Soldering Pattern (Units : mm; Tolerance: ±0.1)



❖ The device has a single mounting surface. The device must be mounted according to the specifications.



❖ Tape Specification (Units : mm)



Remarks:

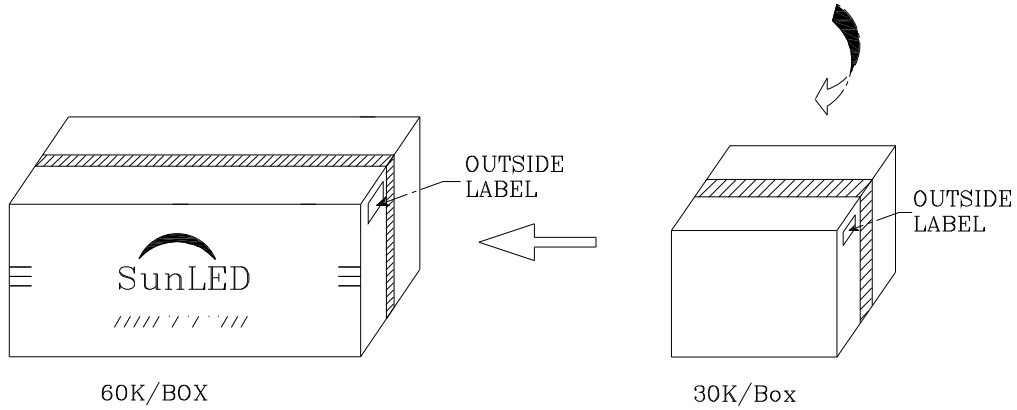
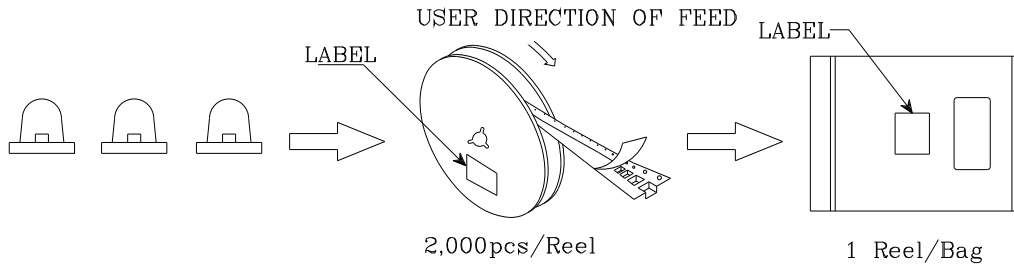
If special sorting is required (e.g. binning based on forward voltage, luminous intensity / luminous flux or wavelength), the typical accuracy of the sorting process is as follows:


1. Wavelength: +/-1nm
2. Luminous Intensity / luminous flux: +/-15%
3. Forward Voltage: +/-0.1V

Note: Accuracy may depend on the sorting parameters.

PACKING & LABEL SPECIFICATIONS

ZUY56W-1



| | |
|----------------------------------------------------------------------------------------------------------------------|-----------|
| P/NO : Zxx56x-1 | |
| QTY : 2,000 pcs | CODE: XXX |
| S/N : XX | |
| LOT NO : | |
|  XXXXXXXXXXXXXXXXXXXXXXXXXXXX | |
| RoHS Compliant | |