



PARA LIGHT ELECTRONICS CO., LTD.

4F, No.1, Lane 93, Chien Yi Road, Chung Ho City, Taipei, Taiwan, R.O.C.

Tel: 886-2-2225-3733

Fax: 886-2-2225-4800

E-mail: para@para.com.tw

<http://www.para.com.tw>

DATA SHEET

PART NO.: L-T670WDT-U1

REV: A / 0

CUSTOMER'S APPROVAL : _____

DCC : _____

DRAWING NO. : DS-7A-06-0002

DATE : 2007-01-03

PAGE

1 of 17

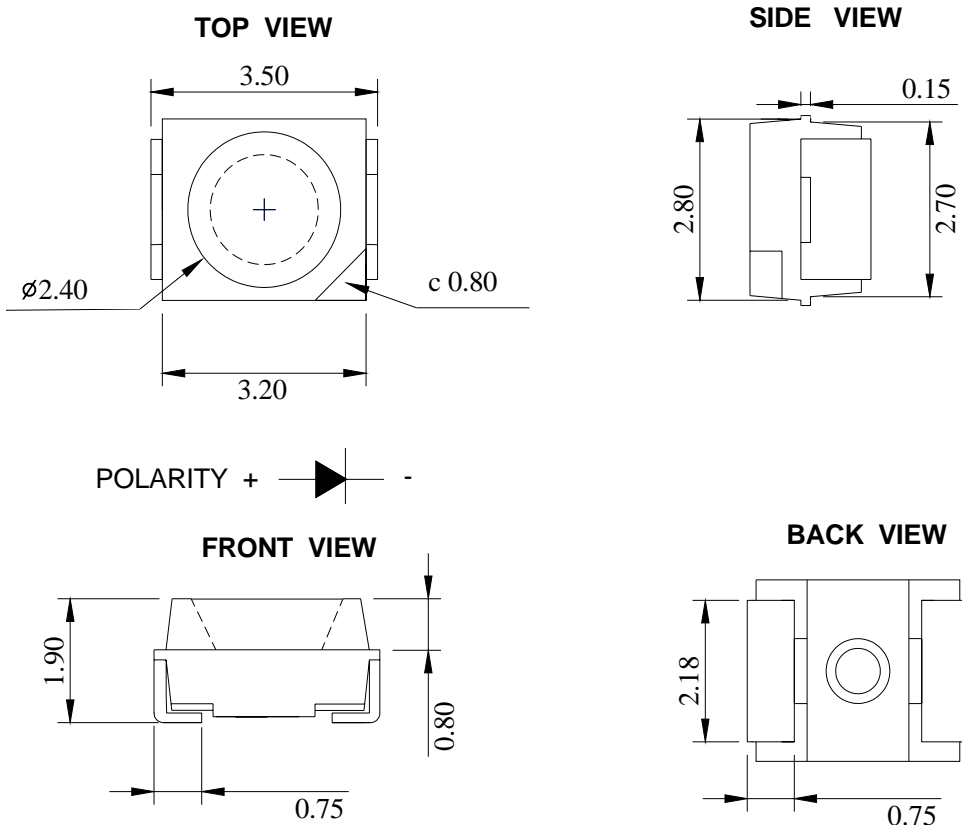
● **Features**

- * Top view, Wide view angle, White color PLCC 2 package SMD LED .
- * EIA STD package, packing in 8mm tape on 7" diameter reels (ANSI/EIA-481-B-2001).
- * Compatible with automatic Pick & Place equipment.
- * Compatible with IR Reflow soldering and TTW soldering.
- * Pb free product and acceptable lead-free process.
- * Meet RoHS Green Product.

● **Application**

- * Backlighting (LCD, Switches, keys, displays, illuminated advertising)
- * Emergency lighting / Signal and symbol luminaries.

● **Package Outline Dimensions**



Notes:

1. All dimensions are in millimeters.
2. Tolerance is $\pm 0.10\text{mm}$ (.004") unless otherwise noted.



SURFACE MOUNT DEVICE LED

Part No. : L-T670WDT-U1

REV: A / 0

● Chip Materials

- * Dice Material : InGaN
- * Light Color : White
- * Lens Color : Light Yellow Diffused.

● Absolute Maximum Ratings(Ta=25)

Symbol	Parameter	Rating	Unit
P _D	Power Dissipation	75	mW
I _{PF}	Peak Forward Current (1/10 Duty Cycle, 0.1ms Pulse Width)	100	mA
I _F	Continuous Forward Current	20	mA
V _R	Reverse Voltage	5	V
ESD	Electrostatic Discharge Threshold (HBM) ^{Note A}	150	V
T _{opr}	Operating Temperature Range	-40 ~ + 85	
T _{stg}	Storage Temperature Range	-40 ~ + 85	
T _{sld}	Soldering Temperature	Reflow Soldering:260 (for 10seconds)	
		Hand Soldering:350 (for 3 seconds)	

Note A :

HBM : Human Body Model. Seller gives no other assurances regarding the ability of to withstand ESD.

● Electro-Optical Characteristics (Ta=25)

Parameter	Symbol	Min.	Typ.	Max.	Unit	Test Condition
Luminous Intensity	I _V	430	1000		mcd	I _F =20mA
Viewing Angle	2 1/2		120		Deg	Note 2
CIE Chromaticity	x		0.31			I _F =20mA
CIE Chromaticity	y		0.32			
Forward Voltage	V _F		3.20	3.60	V	I _F = 20mA
Reverse Current	I _R			10	μ A	V _R = 5V

Notes:

1. Luminous intensity is measured with a light sensor and filter combination that proximates the CIE eye-response curve.
2. 1/2 is the off-axis angle at which the luminous intensity is half the axial luminous intensity.
3. Caution in ESD :
Static Electricity and surge damages the LED. It is recommended use a wrist band or anti-electrostatic glove when handling the LED. All devices, equipment and machinery must be properly grounded.
4. Major standard testing equipment by “Instrument System” Model : CAS140B Compact Array Spectrometer and “KEITHLEY” Source Meter Model : 2400.

● Typical Electro-Optical Characteristics Curves

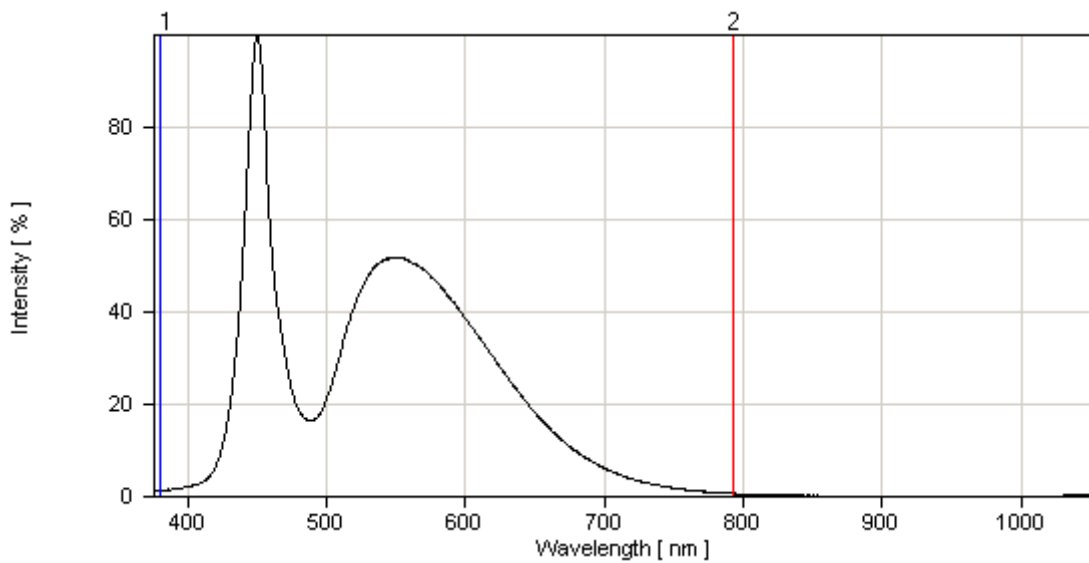


Fig.1 Relative Intensity vs. Wavelength

● Typical Electro-Optical Characteristics Curves

(25 Ambient Temperature Unless Otherwise Noted)

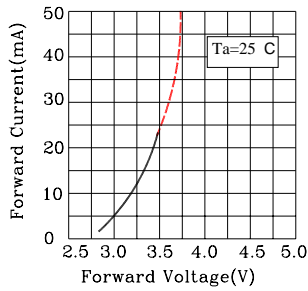


Fig.1 Forward Current vs. Forward Voltage

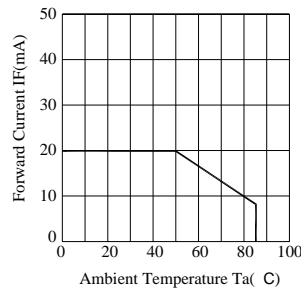


Fig.2 Forward Current Derating Curve

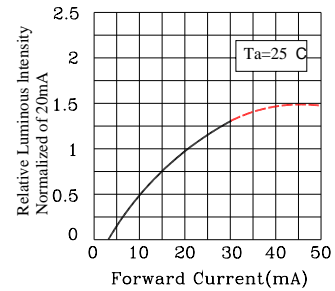


Fig.3 Relative Luminous Intensity vs. Forward Current

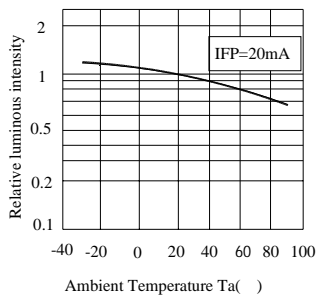


Fig.4 Luminous Intensity vs. Ambient Temperature

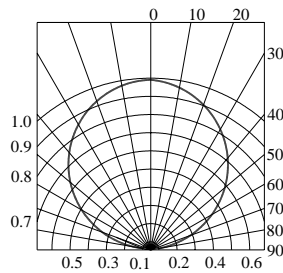


Fig.5 Spatial Distribution

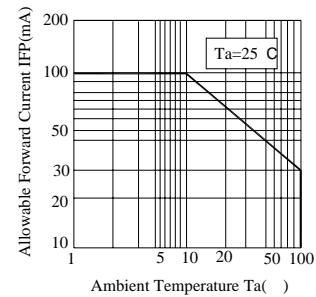


Fig.6 Forward Current Derating Curve

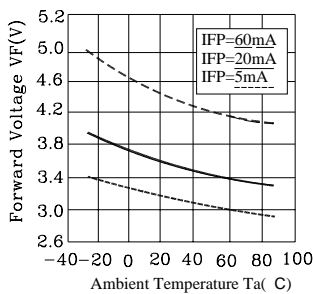


Fig.7 Ambient Temperature vs. Forward Voltage

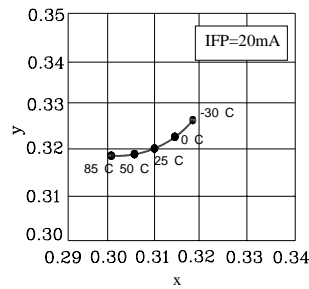


Fig.8 Ambient Temperature vs. Chromaticity Coordinate

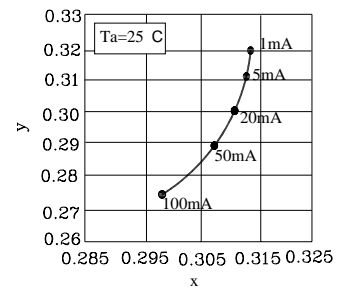


Fig.9 Forward Current vs. Chromaticity Coordinate



SURFACE MOUNT DEVICE LED

Part No. : L-T670WDT-U1

REV: A / 0

● Bin Code List

Luminous Intensity(IV), Unit:mcd@20mA		
Bin Code	Min	Max
P18	430	530
P19	530	650
P20	650	800
P21	800	1000
P22	1000	1250
P23	1250	1550
P24	1550	1900
P25	1900	2350
P26	2350	2900
P27	2900	3600
P28	3600	4500
P29	4500	5600
P30	5600	7000
P31	7000	8750
P32	8750	10900

Tolerance of each bin are $\pm 15\%$

Forward Voltage(VF), Unit:V@20mA		
Bin Code	Min	Max
13	2.80	2.90
14	2.90	3.00
15	3.00	3.10
16	3.10	3.20
17	3.20	3.30
18	3.30	3.40
19	3.40	3.50
20	3.50	3.60
21	3.60	3.70
22	3.70	3.80
23	3.80	3.90
24	3.90	4.00

Tolerance of each bin are ± 0.1 Volt



SURFACE MOUNT DEVICE LED

Part No. : L-T670WDT-U1

REV: A / 0

Color Rank (CIE chromaticity x , y) @ 20mA

Rank a31				
x	0.270	0.264	0.275	0.279
y	0.260	0.267	0.281	0.276
Rank a32				
x	0.279	0.275	0.287	0.290
y	0.276	0.281	0.295	0.288
Rank a33				
x	0.288	0.279	0.290	0.296
y	0.264	0.276	0.288	0.276
Rank a34				
x	0.280	0.270	0.279	0.288
y	0.250	0.260	0.276	0.264

Rank b61				
x	0.308	0.307	0.318	0.319
y	0.308	0.315	0.326	0.318
Rank b62				
x	0.319	0.318	0.330	0.330
y	0.318	0.326	0.339	0.330
Rank b63				
x	0.320	0.319	0.330	0.330
y	0.305	0.318	0.330	0.318
Rank b64				
x	0.311	0.308	0.319	0.320
y	0.294	0.308	0.318	0.305

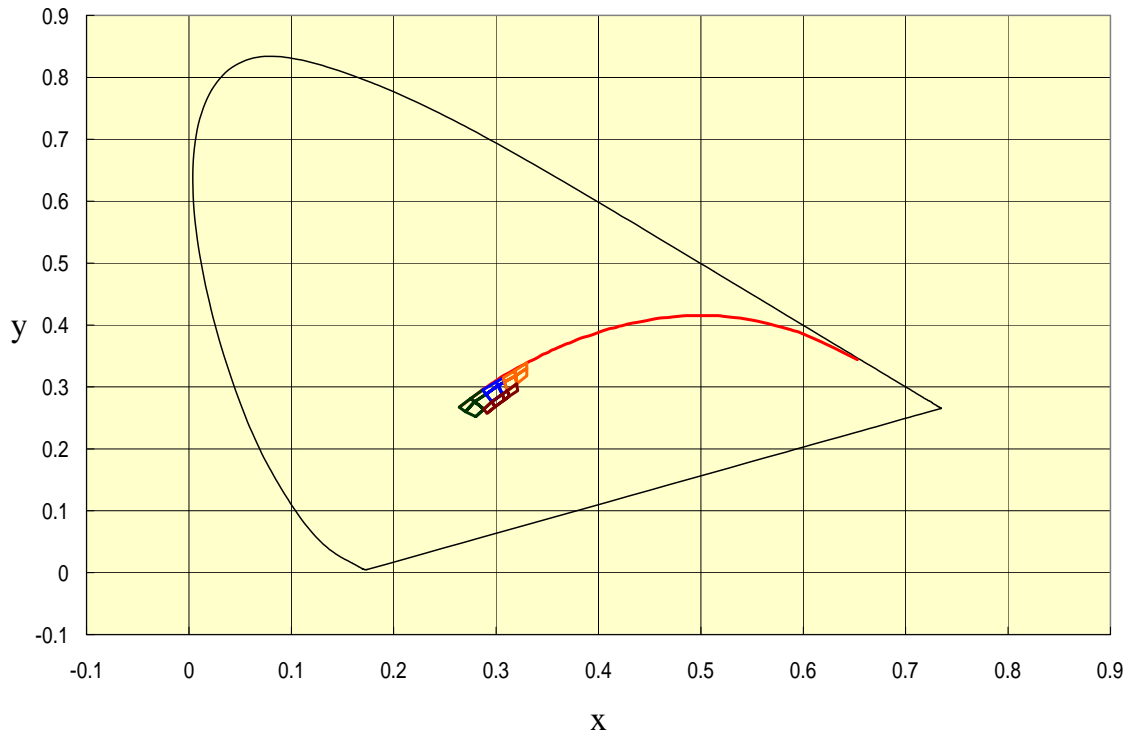
Rank b51				
x	0.290	0.287	0.300	0.302
y	0.288	0.295	0.308	0.302
Rank b52				
x	0.302	0.300	0.307	0.308
y	0.302	0.308	0.315	0.308
Rank b53				
x	0.306	0.302	0.308	0.311
y	0.288	0.302	0.308	0.294
Rank b54				
x	0.296	0.290	0.302	0.306
y	0.276	0.288	0.302	0.288

Rank b73				
x	0.299	0.296	0.306	0.308
y	0.268	0.276	0.288	0.279
Rank b74				
x	0.291	0.288	0.296	0.299
y	0.257	0.264	0.276	0.268
Rank b83				
x	0.313	0.311	0.320	0.321
y	0.285	0.294	0.305	0.294
Rank b84				
x	0.308	0.306	0.311	0.313
y	0.279	0.288	0.294	0.285

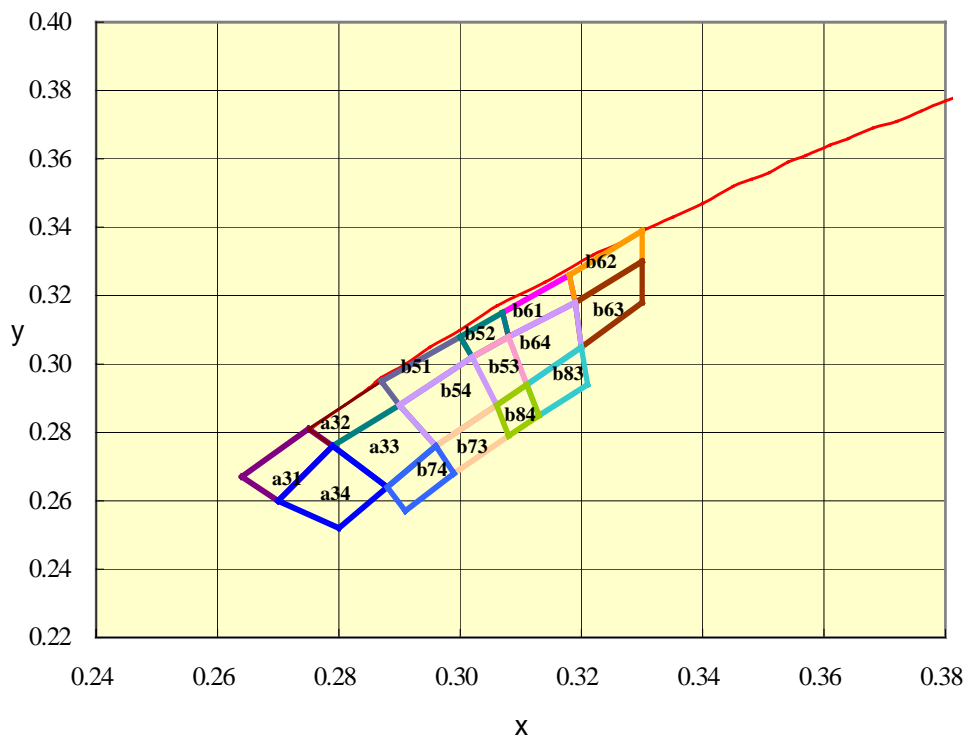
* Measurement of Color coordinates : +/- 0.02

● C.I.E Chromaticity Diagram

C.I.E. 1931 Chromaticity Diagram



C.I.E. Chromaticity Diagram



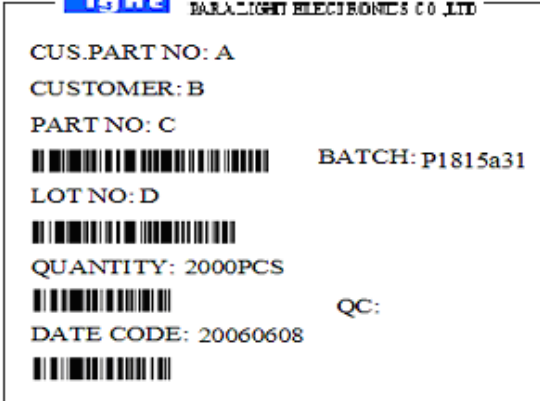


SURFACE MOUNT DEVICE LED

Part No. : L-T670WDT-U1

REV: A / 0

● Label Explanation



CUS. PART NO: To be denominated.

CUSTOMER: To be denominated.

PART NO: Refer to P17

BATCH: P1815a31 (actual code will be base on page 6 & 7 specification).

P18--- Luminous Intensity Code

15--- Forward Voltage Code

a31--- Color Rank Code

LOT NO:	<u> E </u>	<u> L </u>	<u> S </u>	<u> 6 </u>	<u> 8 </u>	<u>0001</u>
	A	B	C	D	E	F

A---E: For series number

B---L: Local F: Foreign

C---S: SMD

D---Year

E---Month

F---SPEC.

PACKING QUANTITY OF BAG :

2000pcs for T670 series

2000pcs for T650 series

2000pcs for S020 series

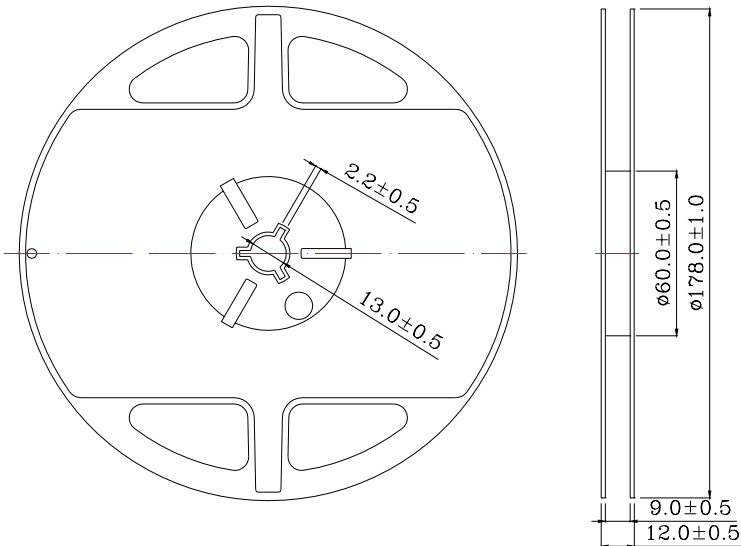
DATE CODE :	<u>2006</u>	<u>06</u>	<u>08</u>
	G	H	I

G--- Year

H--- Month

I --- Day

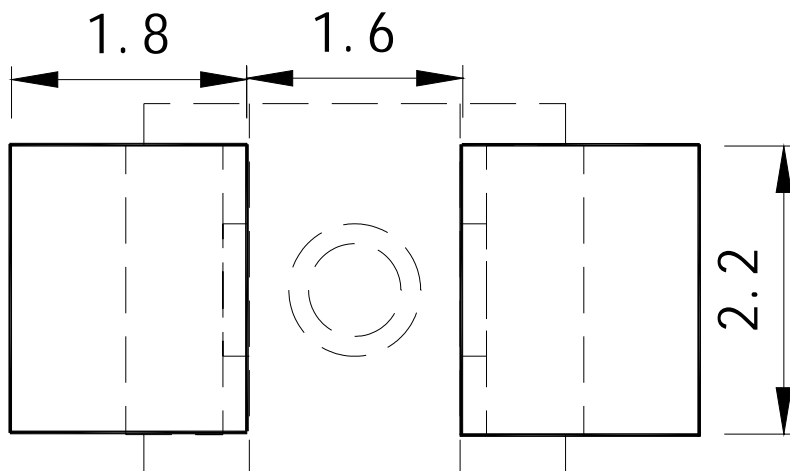
● Reel Dimensions



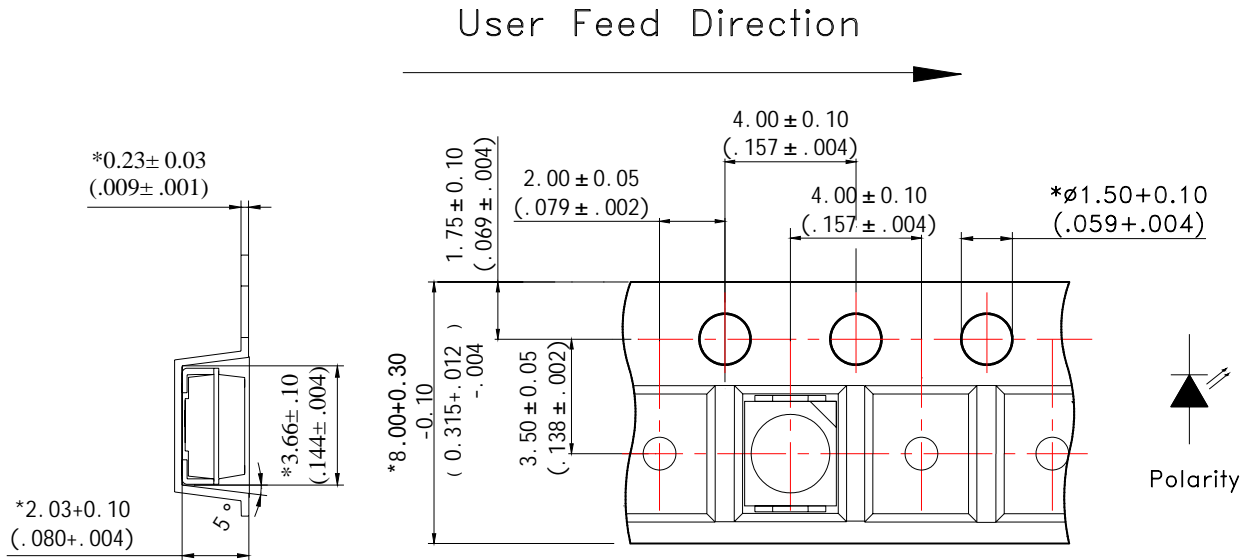
Notes:

1. Taping Quantity : 2000pcs
2. The tolerances unless noted is ± 0.1 mm, Angle $\pm 0.5^\circ$, Unit: mm.

● Suggest Soldering Pad Dimensions

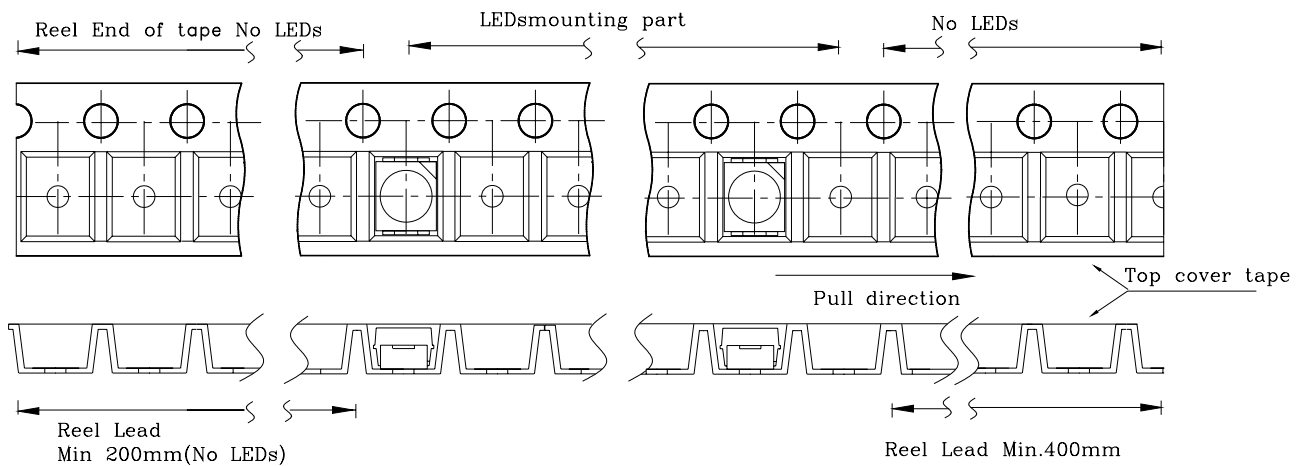


● Package Dimensions Of Tape And Reel

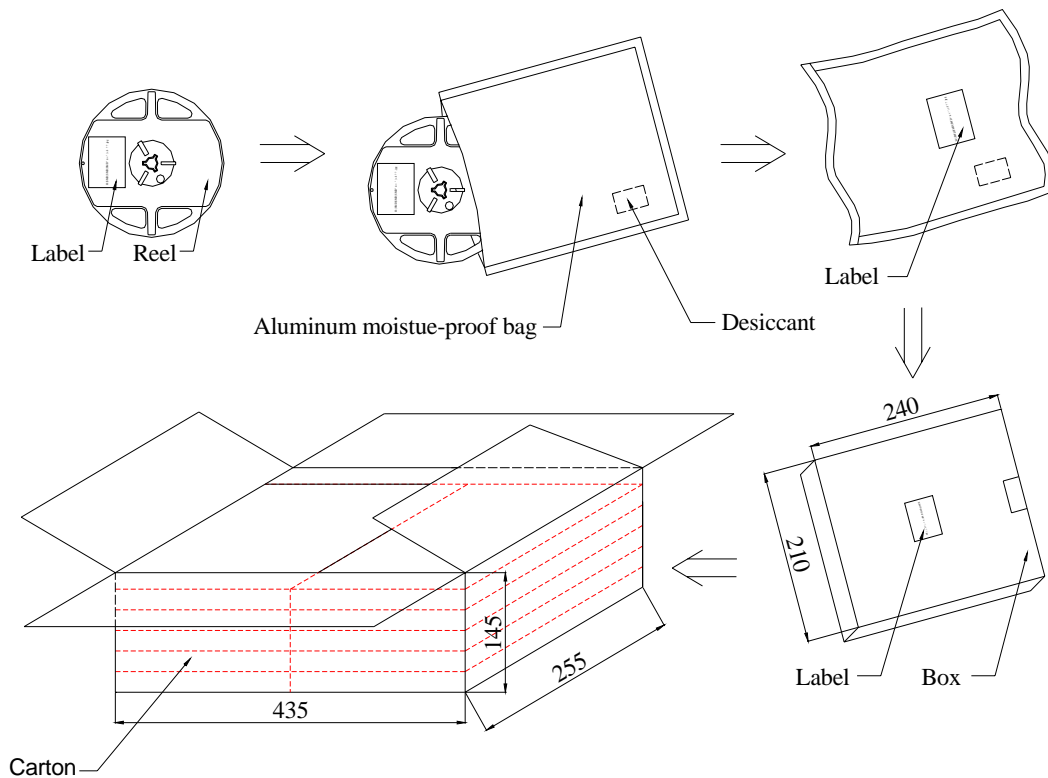


Notes: All dimensions are in millimeters.

● Packaging Of Electronic Components On Continuous Tapes



● Moisture Resistant Packaging

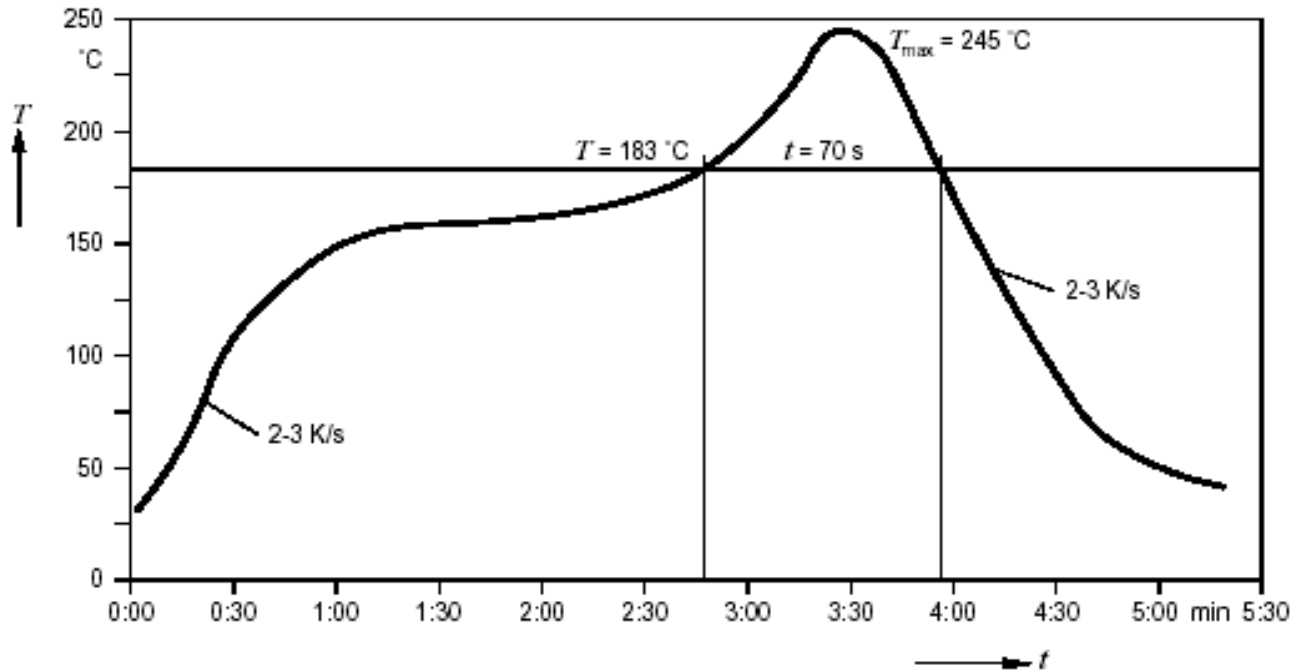


Notes : One reel in a bag, one bag in a inner box, ten inner boxes in a carton. Unit : mm.

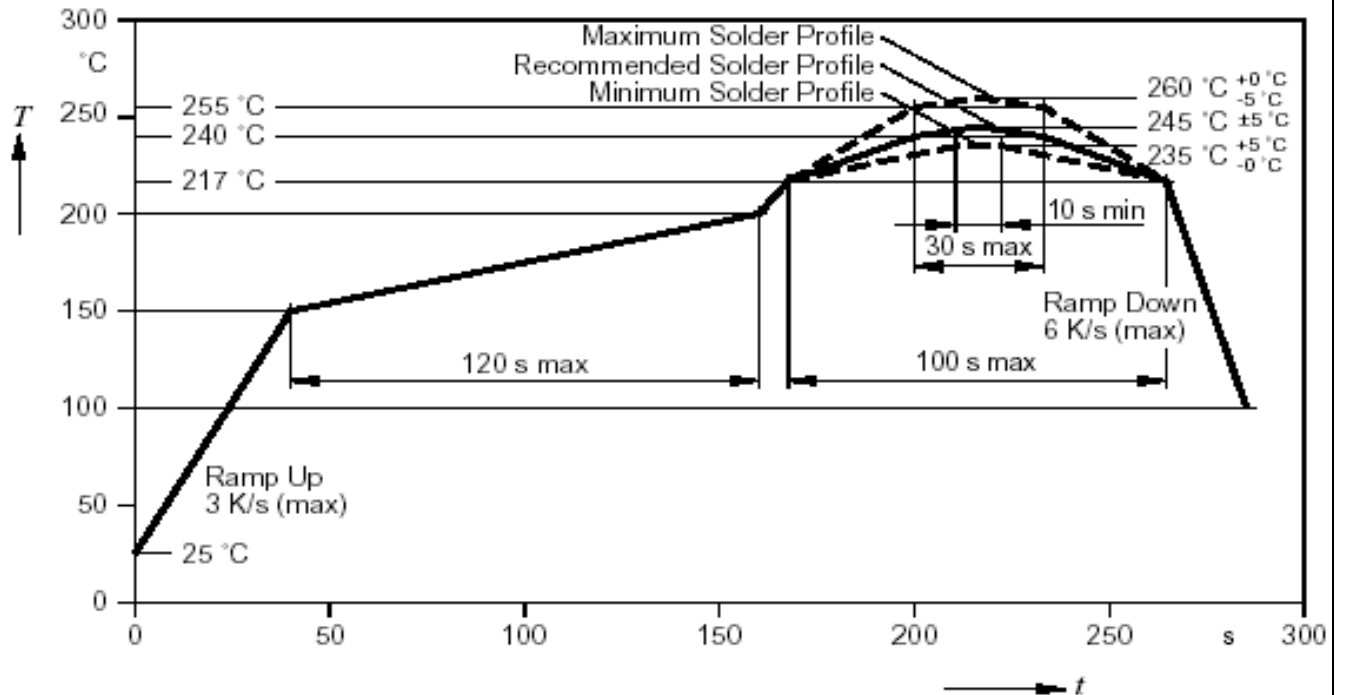
● Cleaning

- * If cleaning is required , use the following solutions for less than 1 minute and less than 40 .
- * Appropriate chemicals: isopropyl alcohol. (When using other solvents, it should be confirmed beforehand whether the solvents will dissolve the package and the resin or not.)
- * Effect of ultrasonic cleaning on the LED resin body differs depending on such factors as ultrasonic power and the assembled condition. Before cleaning, a pre-test should be confirm whether any damage to the LEDS will occur.

Suggest Sn/Pb IR Reflow Soldering Profile Condition:



Suggest Pb-Free IR Reflow Soldering Profile Condition:



● CAUTIONS

1. Static Electricity:

- * Static electricity or surge voltage damages the LEDs.

It is recommended that a wrist band or an anti-electrostatic glove be used when handling the LEDs.

- * All devices, equipment and machinery must be properly grounded.

It is recommended that measures be taken against surge voltage to the equipment that mounts the LEDs.

- * When inspecting the final products in which LEDs were assembled, it is recommended to check whether the assembled LEDs are damaged by static electricity or not. It is easy to find static-damaged LEDs by a light-on test or a VF test at a lower current (blew 1mA is recommended).

- * Damaged LEDs will show some unusual characteristics such as the leak current remarkably increases, the forward voltage becomes lower, or the LEDs do not light at the low current.

Criteria: (VF>2.0V, at IF=0.5mA)

2. Storage :

- * Before opening the package :

The LEDs should be kept at 30°C or less and 85%RH or less. When storing the LEDs, moisture proof packaging with absorbent material (silica gel) is recommended.

- * After opening the package :

The LEDs should be kept at 30°C or less and 70%RH or less. The LEDs should be soldered within 168 hours (7 days) after opening the package. If unused LEDs remain, they should be stored in moisture proof packages, such as sealed containers with packages of moisture absorbent material (silica gel). It is also recommended to return the LEDs to the original moisture proof bag and to reseal the moisture proof bag again.

If the moisture absorbent material (silica gel) has faded away or the LEDs have exceeded the storage time, baking treatment should be performed using the following conditions.

Baking treatment: more than 24hours at 65±5 .

- * Please avoid rapid transitions in ambient temperature in high humidity environments where condensation may occur.

3. Soldering:

Do not apply any stress to the LED lens during soldering while the LED is at high temperature.

Recommended soldering condition.

- * Reflow Soldering :

Pre-heat 120~150°C, 120sec. MAX., Peak temperature : 240°C Max. Soldering time : 10 sec Max.

- * Soldering Iron : (Not recommended)

Temperature 350°C Max., Soldering time : 3 sec. Max.(one time only), power dissipation of iron :

20W Max. use SN60 solder of solder with silver content and don't touch LED lens when soldering.

4. Lead-Free Soldering

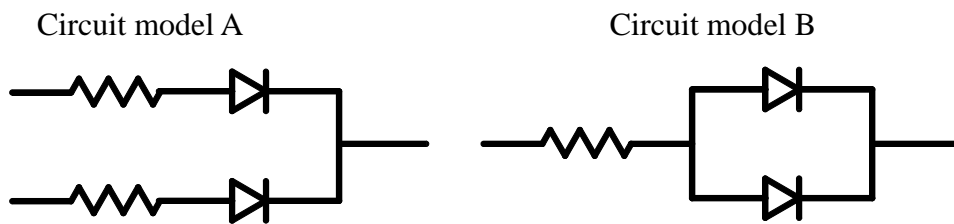
For Reflow Soldering :

- 1、 Pre-Heat Temp: 150-180 ,120sec.Max.
- 2、 Soldering Temp: Temperature Of Soldering Pot Over 240 ,40sec.Max.
- 3、 Peak Temperature: 260 , 10sec.
- 4、 Reflow Repetition: 2 Times Max.
- 5、 Suggest Solder Paste Formula : 93.3 Sn/3.1 Ag/3.1 Bi/0.5 Cu

For Soldering Iron (Not Recommended) :

- 1、 Iron Tip Temp: 350 Max.
- 2、 Soldering Iron: 30w Max.
- 3、 Soldering Time: 3 Sec. Max. One Time.

5. Drive Method



(A)Recommended circuit.

(B)The difference of brightness between LED`s could be found due to the Vf-If characteristics of LED.

6. Reliability

1、 Criteria For Judging The Damage

Item	Symbol	Test Conditions	Criteria for Judgement	
			MIN.	Max.
Forward Voltage	VF	IF=20mA	-	U.S.L.*) × 1.1
Reverse Current	IR	VR=5V	-	U.S.L.*) × 2.0
Luminous Intensity	IV	IF=20mA	L.S.L**) × 0.7	-

*) U.S.L.: Upper Standard Level

**) L.S.L: Lower Standard Level



SURFACE MOUNT DEVICE LED

Part No. : L-T670WDT-U1

REV: A / 0

2、 Test Items And Results

Test Item	Reference Standard	Test Condition	Note	Number of Damaged
Resistance to Soldering Heat (Reflow Soldering)	JEITA ED-4701300 301	Tsld=240 ,10sec. (Pre treatment 30 ,70%,168hrs)	2times	0/50
Solder ability (Reflow Soldering)	JEITA ED-4701300 303	Tsld=215 ,3sec. (Lead Solder)	1time over 95%	0/50
Thermal Shock	JEITA ED-4701300 307	0 ~ 100 15sec. 15sec.	20cycles	0/50
Temperature Cycle	JEITA ED-4701100 105	-40 ~ 25 ~100 ~25 30min. 5min. 30min. 5min.	100cycles	0/50
Moisture Resistance Cyclic	JEITA ED-4701200 203	25 ~ 65 ~-10 90%RH 24hrs./1cycle	10cycles	0/50
High Temperature Storage	JEITA ED-4701200-201	Ta=100	1000hrs.	0/50
Temperature Humidity Storage	JEITA ED-4701100 103	Ta=60 ,RH=90%	1000hrs.	0/50
Low Temperature Storage	JEITA ED-4701200 202	Ta=-40	1000hrs.	0/50
Steady State Operating Life Condition1		Ta=25 ,IF=20mA	1000hrs.	0/50
Steady State Operating Life Condition2		Ta=25 ,IF=35mA	500hrs.	0/50
Steady State Operating Life of High Temperature		Ta=85 ,IF=5mA	1000hrs.	0/50
Steady State Operating Life of High Humidity Heat		Ta=60 ,RH=90%,IF=15mA	500hrs.	0/50
Steady State Operating Life of Low Temperature		Ta=-30 ,IF=20mA	1000hrs.	0/50
Vibration	JEITA ED-4701400 403	100~2000~100HzSweep 4min.200m/s ² 3direction,4cycles	48min	0/50
Substrate Bending	JEITA ED-4702	3mm,5 ± 1sec	1time	0/50
Stick	JEITA ED-4702	5N,10 ± 1sec	1time	0/50

7.Others:

The appearance and specifications of the product may be modified for improvement without notice.

DRAWING NO. : DS-7A-06-0002

DATE : 2007-01-03

PAGE 16 of 17



SURFACE MOUNT DEVICE LED

Part No. : L-T670WDT-U1

REV: A / 0

● PART NO. SYSTEM :

L - T 670 X X T - X X X X

XXXX : Special specification for customer

T : Taping for 7 inch reel
TC : Taping for 13 inch reel

Lens color
C : Water Clear
W : White Diffused
T : Color Transparent
D : Color Diffused

KG : AlInGap 570nm Super Green
KY : AlInGap 590nm Super Yellow
KF : AlInGap 605nm Super Amber
KR : AlInGap 630 nm Super Red
LB : InGaN 470nm Blue
LG : InGaN 525nm Green
W : InGaN + YAG White

0 : Single chip
1/2 : Super thin single chip
5/6 : Dual chip
F : Three chip(Full color)

650 : 3020 1.3T TYPE
670 : 3528 1.9T TYPE
020 : 3812 0.6T TYPE

C : PCB Top View Type
T : PLCC Top View Type
S : Side View Type