



**PARA LIGHT ELECTRONICS CO., LTD.**

4F, No.1, Lane 93, Chien Yi Road, Chung Ho City, Taipei, Taiwan, R.O.C.

Tel: 886-2-2225-3733

Fax: 886-2-2225-4800

E-mail: [para@para.com.tw](mailto:para@para.com.tw)

<http://www.para.com.tw>

DATA SHEET

PART NO. : L-519LESGW

REV : A / 2

CUSTOMER'S APPROVAL : \_\_\_\_\_

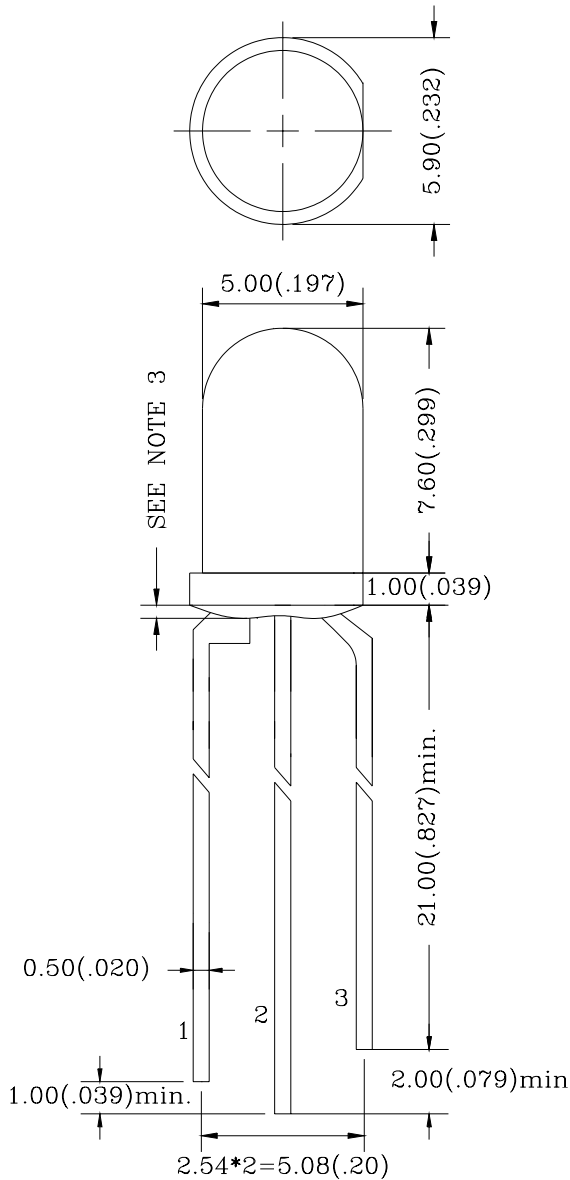
DCC : \_\_\_\_\_

DRAWING NO. : DS-35-02-0340

DATE : 2003-06-12

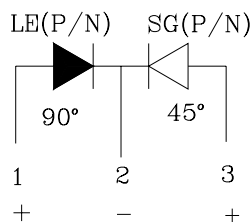
Page : 1

PACKAGE DIMENSIONS



Note:

1. All Dimensions are in millimeters.
2. Tolerance is  $\pm 0.25\text{mm}$  (0.010 ") Unless otherwise specified.
3. Protruded resin under flange is 1.5mm (0.059 ") max.
4. Lead spacing is measured where the leads emerge from the package.
5. Specification are subject to change without notice



**FEATURES**

- \* 5.0mm DIA LED LAMP.
- \* HIGH LUMINOUS INTENSITY OUTPUT.
- \* LOW POWER CONSUMPTION.
- \* HIGH EFFICIENCY.
- \* VERSATILE MOUNTING ON P.C. BOARD OR PANEL.
- \* I.C. COMPATIBLE.

**CHIP MATERIALS**

- \* Dice Material : AlGaInP/GaAs&GaP/GaP
- \* Light Color : MULTICOLOR(ULTRA ORANGE&YELLOW GREEN)
- \* Lens Color : WHITE DIFFUSED

**ABSOLUTE MAXIMUM RATING:(Ta = 25°C)**

SYMBOL	DESCRIPTION	ULTRA ORANGE	YELLOW GREEN	UNIT
PD	Power Dissipation	80	85	mW
VR	Reverse Voltage	5	5	V
IF	Average Forward Current	30	30	mA
IPF	Peak Forward Current (Duty=0.1,1KHZ)	120	120	mA
-	Derating Linear From 25°C	0.4	0.4	mA/°C
Topr	Operating Temperature Range	-25°C to 85°C		
Tstg	Storage Temperature Range	-40°C to 85°C		
Lead Soldering Temperature { 1.6mm(0.063 inch) From Body } 250°C±5°C For 3 Seconds				

**ELECTRO-OPTICAL CHARACTERISTICS:(Ta=25°C)**

SYMBOL	PARAMETER	TEST CONDITION	MIN.	TYP.	MAX.	UNIT
VF	Forward Voltage	IF=20mA	Ultra Orange	2.1	2.6	V
			Yellow Green	2.2	2.8	V
IR	Reverse Current	VR=5V	Ultra Orange		100	µA
			Yellow Green		100	µA
λD	Dominant Wavelength	IF=20mA	Ultra Orange	615		nm
			Yellow Green	570		nm
Δλ	Spectral Line Half-Width	IF=20mA	Ultra Orange	17		nm
			Yellow Green	30		nm
2θ1/2	Half Intensity Angle	IF=20mA	Ultra Orange	120		deg
			Yellow Green	120		deg
IV	Luminous Intensity	IF=20mA	Ultra Orange	75		mcd
			Yellow Green	25		mcd

