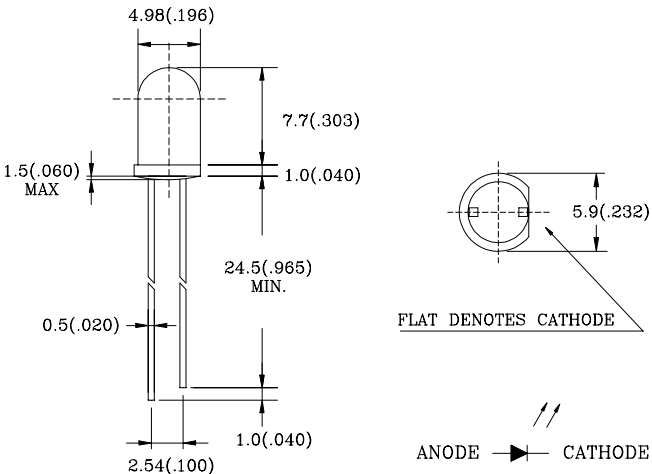


◆PACKAGE DIMENSIONS



◆ABSOLUTE MAXIMUM RATING: (Ta=25°C)

Part No.	P _D (mw)	V _R (V)	Topr	Tstg
L-51XXIR1C	100	5	-35°C to 85°C	-35°C to 85°C
PARAMETER	Power Dissipation	Reverse Voltage	Operating Temperature Range	Storage Temperature Range

Lead Soldering Temperature { 1.6mm (0.063 inch) From Body } 250°C±5°C For 3 Seconds

◆ELECTRO-OPTICAL CHARACTERISTICS: (Ta=25°C)

Part No.	VF (V)			IR (uA)			λP (nm)			2θ 1/2 (Age)			Ie (mw/sr)		
	Min	Typ	Max	Min	Typ	Max	Min	Typ	Max	Min	Typ	Max	Min	Typ	Max
L-514EIR1C		1.2 1.4	1.6			10			940			20		17	30
L-515EIR1C		1.2 1.4	1.6			10			940			25		14	25
L-516EIR1C		1.2 1.4	1.6			10			940			30		12	23
L-517EIR1C		1.2 1.4	1.6			10			940			35		10	20
L-518EIR1C		1.2 1.4	1.6			10			940			40		8	18
L-51AEIR1C		1.2 1.4	1.6			10			940			50		6	12
L-514CIR1C		1.3 1.6	1.8			10			940			20		13	25
TEST CONDITION	I _F =20mA I _F =100mA			V _R = 5V			I _F = 20mA			I _F =20mA			I _F = 20mA		

- All dimension are in millimeter (inches).
- Tolerance is ±0.25mm(0.01”)unless otherwise specified.