

SPECIFICATIONS FOR NICHIA CHIP TYPE **GREEN** LED

MODEL : **NFSG036T**

NICHIA CORPORATION

1.SPECIFICATIONS

(1) Absolute Maximum Ratings (Tc=25°C)

| Item | Symbol | Absolute Maximum Rating | Unit |
|-----------------------|--------|---|------|
| Forward Current | IF | 180 | mA |
| Pulse Forward Current | IFP | 350 | mA |
| Reverse Voltage | VR | 5 | V |
| Power Dissipation | PD | 810 | mW |
| Operating Temperature | Topr | -30 ~ + 85 | °C |
| Storage Temperature | Tstg | -40 ~ +100 | °C |
| Soldering Temperature | Tsld | Reflow Soldering : 260°C for 10sec. Hand Soldering : 350°C for 3sec. | |

IFP Conditions : Pulse Width \leq 10msec. and Duty \leq 1/10

(2) Initial Electrical/Optical Characteristics (Tc=25°C)

| Item | Symbol | Condition | Min. | Typ. | Max. | Unit | |
|--------------------|--------|------------|------------|------|------|---------|----|
| Forward Voltage | VF | IF=150[mA] | - | 4.0 | 4.5 | V | |
| Reverse Current | IR | VR= 5[V] | - | - | 50 | μ A | |
| Luminous Intensity | Rank T | IV | IF=150[mA] | 5.3 | - | 7.5 | cd |
| | Rank S | IV | IF=150[mA] | 3.8 | - | 5.3 | cd |

* Luminous Intensity Measurement allowance is \pm 10%.

Color Rank (IF=150mA, Tc=25°C)

| | Rank G0d | | | | | |
|---|----------|-------|-------|-------|-------|-------|
| x | 0.190 | 0.136 | 0.176 | 0.220 | 0.250 | 0.219 |
| y | 0.628 | 0.739 | 0.750 | 0.745 | 0.638 | 0.637 |

* Color Coordinates Measurement allowance is \pm 0.01.

* One delivery will include up to one color rank and two luminous intensity ranks of the products.

The quantity-ratio of the ranks is decided by Nichia.

2.TYPICAL INITIAL OPTICAL/ELECTRICAL CHARACTERISTICS

Please refer to figure's page.

3.OUTLINE DIMENSIONS AND MATERIALS

Please refer to figure's page.

Material as follows ; Package : Ceramics
 Encapsulating Resin : Silicone Resin (with Diffused)
 Encapsulating Resin Color : Green (with Diffused)
 Electrodes : Ag Plating

4.PACKAGING

- The LEDs are packed in cardboard boxes after taping.

Please refer to figure's page.

The label on the minimum packing unit shows ; Part Number, Lot Number, Ranking, Quantity

- In order to protect the LEDs from mechanical shock, we pack them in cardboard boxes for transportation.
- The LEDs may be damaged if the boxes are dropped or receive a strong impact against them, so precautions must be taken to prevent any damage.
- The boxes are not water resistant and therefore must be kept away from water and moisture.
- When the LEDs are transported, we recommend that you use the same packing method as Nichia.

5.LOT NUMBER

The first six digits number shows **lot number**.

The lot number is composed of the following characters;

○□×××× - △■

- - Year (4 for 2004, 5 for 2005)
- - Month (1 for Jan., 9 for Sep., A for Oct., B for Nov.)
- ×××× - Nichia's Product Number
- △ - Ranking by Color Coordinates
- - Ranking by Luminous Intensity

6.RELIABILITY

(1) TEST ITEMS AND RESULTS

| Test Item | Standard Test Method | Test Conditions | Note | Number of Damaged |
|---|--------------------------|--|--------------------|-------------------|
| Resistance to Soldering Heat (Reflow Soldering) | JEITA ED-4701 300 301 | Tsld=260°C, 10sec. (Pre treatment 30°C,70%,168hrs.) | 2 times | 0/50 |
| Solderability (Reflow Soldering) | JEITA ED-4701 300 303 | Tsld=215 ± 5°C, 3sec. (Lead Solder) | 1 time over 95% | 0/50 |
| Thermal Shock | JEITA ED-4701 300 307 | 0°C ~ 100°C 15sec. 15sec. | 20 cycles | 0/50 |
| Temperature Cycle | JEITA ED-4701 100 105 | -40°C ~ 25°C ~ 100°C ~ 25°C 30min. 5min. 30min. 5min. | 100 cycles | 0/50 |
| High Temperature Storage | JEITA ED-4701 200 201 | Ta=100°C | 500 hrs. | 0/50 |
| Temperature Humidity Storage | JEITA ED-4701 100 103 | Ta=60°C, RH=90% | 500 hrs. | 0/50 |
| Low Temperature Storage | JEITA ED-4701 200 202 | Ta=-40°C | 500 hrs. | 0/50 |
| Steady State Operating Life | | Ta=25°C, IF=150mA Tested with Nichia standard circuit board.* | 500 hrs. | 0/50 |
| Steady State Operating Life of High Temperature | | Ta=70°C, IF=100mA Tested with Nichia standard circuit board.* | 500 hrs. | 0/50 |
| Steady State Operating Life of High Humidity Heat | | 60°C, RH=90%, IF=100mA Tested with Nichia standard circuit board.* | 500 hrs. | 0/50 |
| Steady State Operating Life of Low Temperature | | Ta=-40°C, IF=150mA Tested with Nichia standard circuit board.* | 500 hrs. | 0/50 |
| Vibration | JEITA ED-4701 400 403 | 100 ~ 2000 ~ 100Hz Sweep 4min. 200m/s ² 3direction, 4cycles | 48min. | 0/50 |
| Substrate Bending | JEITA ED-4702 | 3mm, 5 ± 1 sec. | 1 time | 0/50 |
| Stick | JEITA ED-4702 | 5N, 10 ± 1 sec. | 1 time | 0/50 |

* Thermal resistance of LED with Nichia standard circuit board : $R_{\theta j-a} \cong 110^{\circ}\text{C/W}$

(2) CRITERIA FOR JUDGING THE DAMAGE

| Item | Symbol | Test Conditions | Criteria for Judgement | |
|--------------------|----------------|-----------------------|------------------------|---------------------|
| | | | Min. | Max. |
| Forward Voltage | V _F | I _F =150mA | - | Initial Level × 1.1 |
| Reverse Current | I _R | V _R =5V | - | Initial Level × 2.0 |
| Luminous Intensity | I _V | I _F =150mA | Initial Level × 0.7 | - |

* The test is done after the board is cooled down enough at the room temperature.

7.CAUTIONS

(1) Moisture Proof Package

- When moisture is absorbed into the SMT package it may vaporize and expand during soldering. There is a possibility that this can cause exfoliation of the contacts and damage the optical characteristics of the LEDs. For this reason, the moisture proof package is used to keep moisture to a minimum in the package.
- The moisture proof package is made of an aluminum moisture proof bag with a zipper. A package of a moisture absorbent material (silica gel) is inserted into the aluminium moisture proof bag. The silica gel changes its color from blue to pink as it absorbs moisture.

(2) Storage

· Storage Conditions

Before opening the package :

The LEDs should be kept at 30°C or less and 90%RH or less. The LEDs should be used within a year. When storing the LEDs, moisture proof packaging with absorbent material (silica gel) is recommended.

After opening the package :

The LEDs should be kept at 30°C or less and 70%RH or less. The LEDs should be soldered within 168 hours (7days) after opening the package. If unused LEDs remain, they should be stored in the moisture proof packages, such as sealed containers with packages of moisture absorbent material (silica gel). It is also recommended to return the LEDs to the original moisture proof bag and to reseal the moisture proof bag again.

- If the moisture absorbent material (silica gel) has faded away or the LEDs have exceeded the storage time, baking treatment should be performed using the following condition.

Baking treatment : more than 24 hours at $65 \pm 5^\circ\text{C}$

- Nichia LED electrode and leadframe are comprised of a silver plated. The silver surface may be affected by environments which contain corrosive gases and so on. Please avoid conditions which may cause the LED to corrode, tarnish or discolor. This corrosion or discoloration might lower solderability or might affect on optical characteristics.
- Please avoid rapid transitions in ambient temperature, especially in high humidity environments where condensation can occur.

(3) Heat Generation

- Consider the heat generation of LED when designing the circuit.

The thermal resistance* $R_{\theta j-a}$ (LED junction to ambient) is approximately 110°C/W when LED is mounted on the circuit board with standard heat release approximately $R_{\theta c-a}$ (LED package to ambient) 45°C/W. It is necessary to avoid intense heat generation.

Do not exceed the maximum ratings of operating temperature.

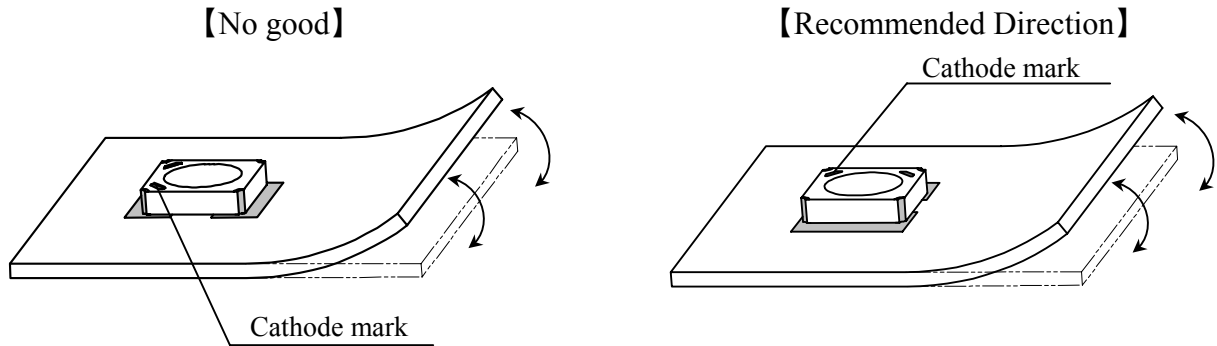
- The operating current shall be decided under the condition of ambient maximum temperature of LEDs and designing the heat release.

* The thermal resistance : The temperature rise of LED element when LED is turned on.

(4) Designing the position of LED on a board.

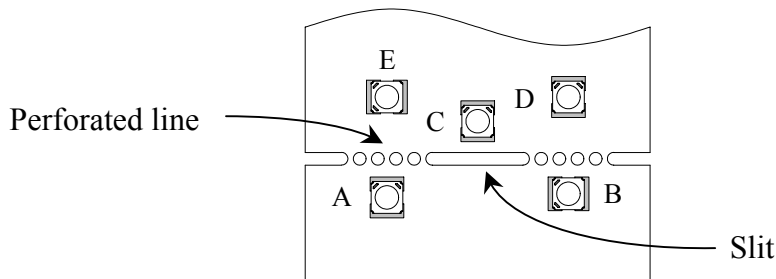
- No twist / warp / bent / or other stress shall be applied to the board after mounting LED with solder to avoid a crack of LED package.

Refer to the following recommended position and direction of LED.



Appropriate LED mounting is to place perpendicularly against the stress affected side.

- Depending on the position and direction of LED, the mechanical stress on the LED package can be changed. Refer to the following figure.



Stress : $A > B = C > D > E$

- Do not split board by hand. Split with exclusive special tool.

(5) Soldering Conditions

· The LEDs can be soldered in place using the reflow soldering method. Nichia cannot make a guarantee on the LEDs after they have been assembled using the dip soldering method.

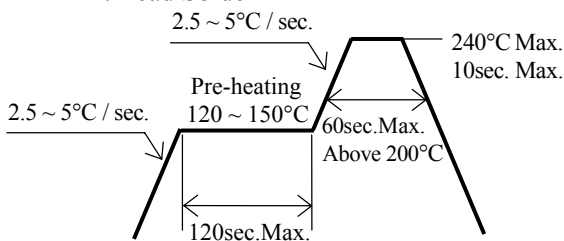
· Recommended soldering conditions

| | Reflow Soldering | | Hand Soldering | |
|------------------|-----------------------------------|--|----------------|--------------------------------|
| | Lead Solder | Lead-free Solder | Temperature | 350°C Max. |
| Pre-heat | 120 ~ 150°C | 180 ~ 200°C | Soldering time | 3 sec. Max. (one time only) |
| Pre-heat time | 120 sec. Max. | 120 sec. Max. | | |
| Peak temperature | 240°C Max. | 260°C Max. | | |
| Soldering time | 10 sec. Max. | 10 sec. Max. | | |
| Condition | refer to Temperature - profile ①. | refer to Temperature - profile ②. (N ₂ reflow is recommended.) | | |

* After reflow soldering rapid cooling should be avoided.

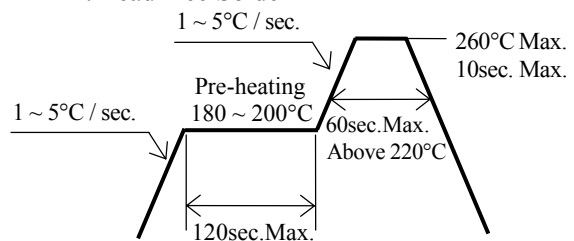
[Temperature-profile (Surface of circuit board)]

<① : Lead Solder>

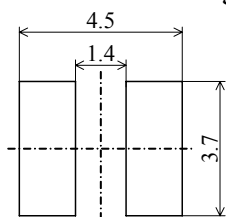


Use the conditions shown to the under figure.

<② : Lead-free Solder>



[Recommended soldering pad design]



(Unit : mm)

Use the following conditions shown in the figure.

- Occasionally there is a brightness decrease caused by the influence of heat or ambient atmosphere during air reflow. It is recommended that the User use the nitrogen reflow method.
- The encapsulated material of the LEDs is silicone. Therefore the LEDs have a soft surface on the top of package. The pressure to the top surface will be influence to the reliability of the LEDs. Precautions should be taken to avoid the strong pressure on the encapsulated part. So when using the chip mounter, the picking up nozzle that does not affect the silicone resin should be used.
- Repairing should not be done after the LEDs have been soldered. When repairing is unavoidable, a double-head soldering iron should be used. It should be confirmed beforehand whether the characteristics of the LEDs will or will not be damaged by repairing.
- Reflow soldering should not be done more than two times.
- When soldering, do not put stress on the LEDs during heating.

(6) Cleaning

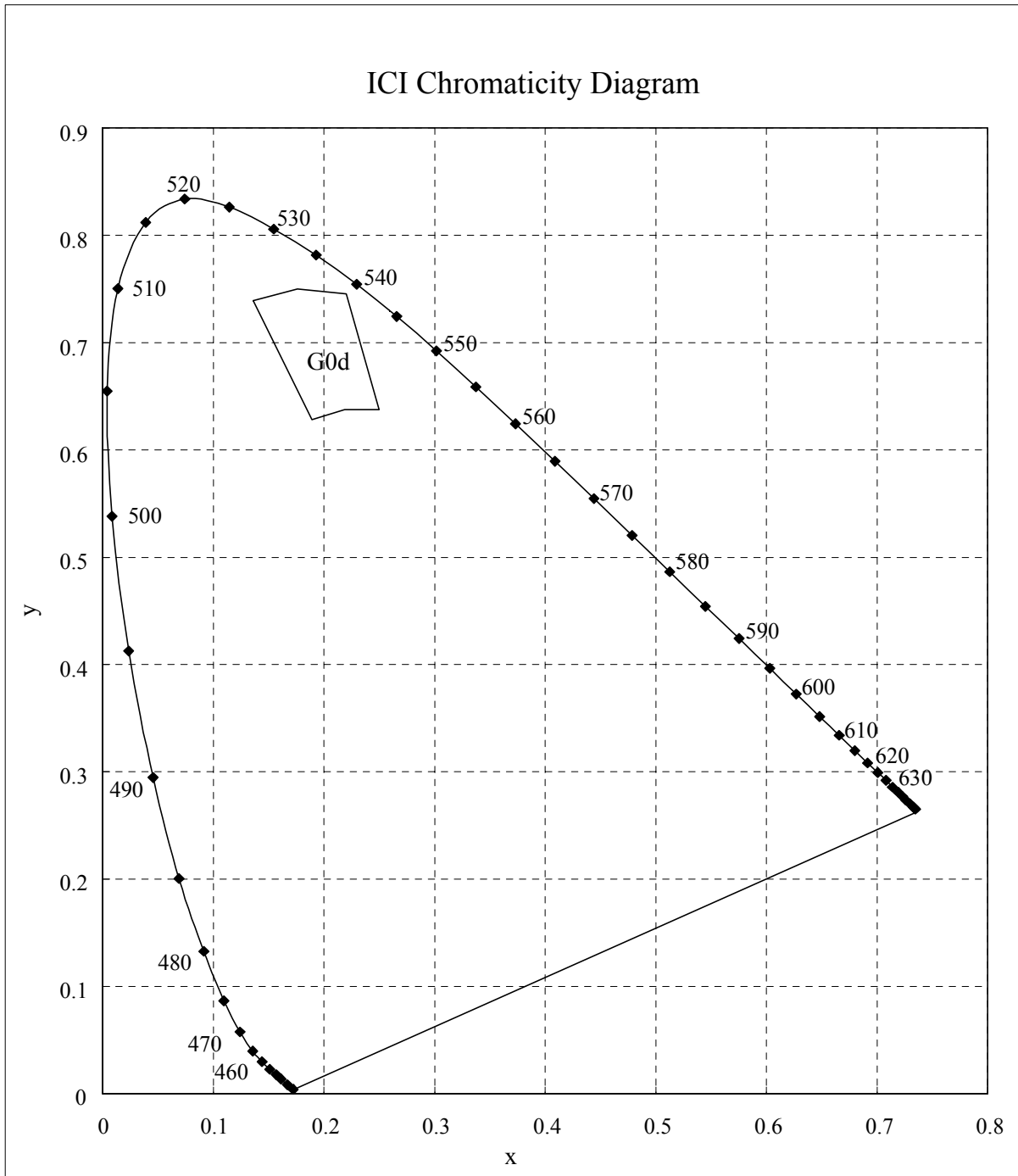
- It is recommended that isopropyl alcohol be used as a solvent for cleaning the LEDs. When using other solvents, it should be confirmed beforehand whether the solvents will dissolve the package and the resin or not. Freon solvents should not be used to clean the LEDs because of worldwide regulations.
- Do not clean the LEDs by the ultrasonic. When it is absolutely necessary, the influence of ultrasonic cleaning on the LEDs depends on factors such as ultrasonic power and the assembled condition. Before cleaning, a pre-test should be done to confirm whether any damage to the LEDs will occur.

(7) Static Electricity

- Static electricity or surge voltage damages the LEDs.
It is recommended that a wrist band or an anti-electrostatic glove be used when handling the LEDs.
- All devices, equipment and machinery must be properly grounded.
It is recommended that measures be taken against surge voltage to the equipment that mounts the LEDs.
- When inspecting the final products in which LEDs were assembled, it is recommended to check whether the assembled LEDs are damaged by static electricity or not. It is easy to find static-damaged LEDs by a light-on test or a VF test at a lower current (below 1mA is recommended).
- Damaged LEDs will show some unusual characteristics such as the leak current remarkably increases, the forward voltage becomes lower, or the LEDs do not light at the low current.
Criteria : (VF > 2.0V at IF=0.5mA)

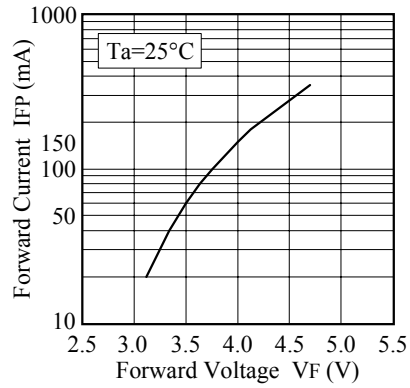
(8) Others

- Care must be taken to ensure that the reverse voltage will not exceed the absolute maximum rating when using the LEDs with matrix drive.
- The LED light output is strong enough to injure human eyes. Precautions must be taken to prevent looking directly at the LEDs with unaided eyes for more than a few seconds.
- Flashing lights have been known to cause discomfort in people; you can prevent this by taking precautions during use. Also, people should be cautious when using equipment that has had LEDs incorporated into it.
- The LEDs described in this brochure are intended to be used for ordinary electronic equipment (such as office equipment, communications equipment, measurement instruments and household appliances). Consult Nichia's sales staff in advance for information on the applications in which exceptional quality and reliability are required, particularly when the failure or malfunction of the LEDs may directly jeopardize life or health (such as for airplanes, aerospace, submersible repeaters, nuclear reactor control systems, automobiles, traffic control equipment, life support systems and safety devices).
- User shall not reverse engineer by disassembling or analysis of the LEDs without having prior written consent from Nichia. When defective LEDs are found, the User shall inform Nichia directly before disassembling or analysis.
- The formal specifications must be exchanged and signed by both parties before large volume purchase begins.
- The appearance and specifications of the product may be modified for improvement without notice.

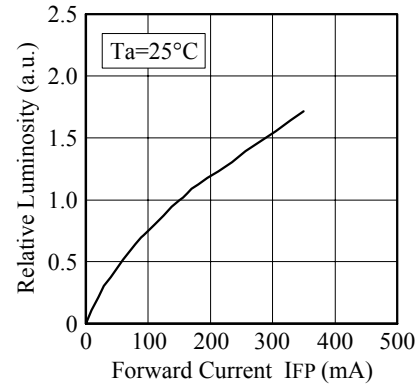


* Color Coordinates Measurement allowance is ± 0.01 .

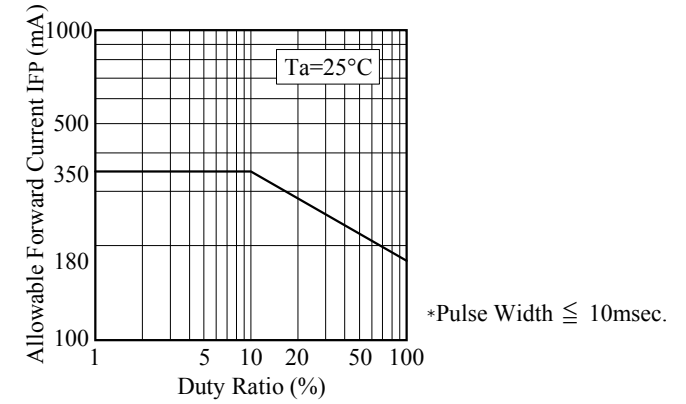
■ Forward Voltage vs. Forward Current



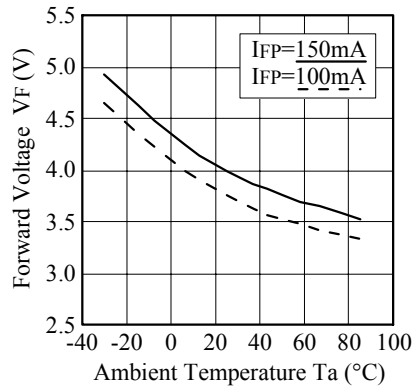
■ Forward Current vs. Relative Luminosity



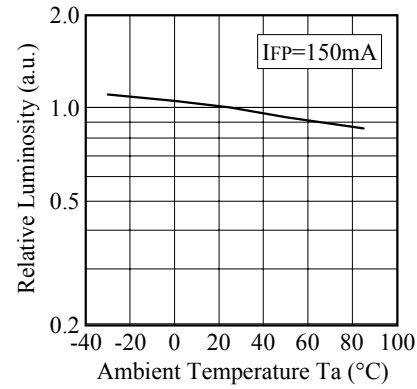
■ Duty Ratio vs. Allowable Forward Current



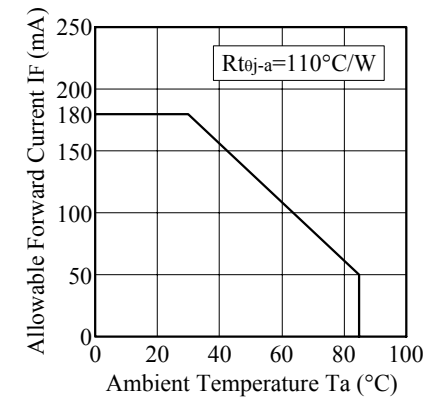
■ Ambient Temperature vs. Forward Voltage



■ Ambient Temperature vs. Relative Luminosity

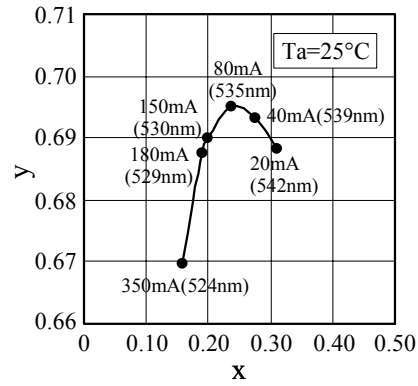


■ Ambient Temperature vs. Allowable Forward Current

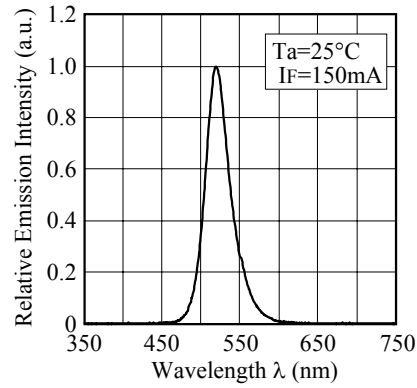


| | | |
|---------------------------|-------|-----------------|
| NICHIA CORPORATION | Model | NFSG036 |
| | Title | CHARACTERISTICS |
| | No. | 041109434781 |

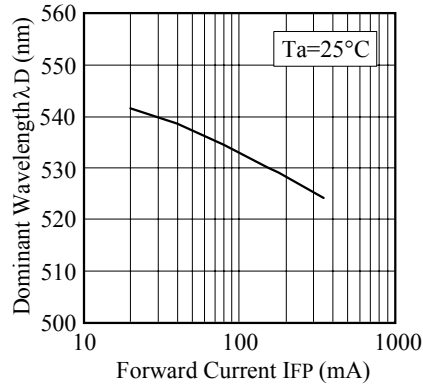
■ Forward Current vs. Chromaticity Coordinate (λ_D)



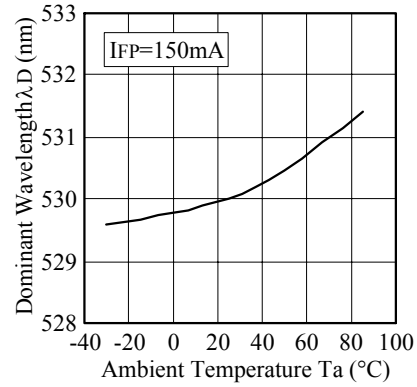
■ Spectrum



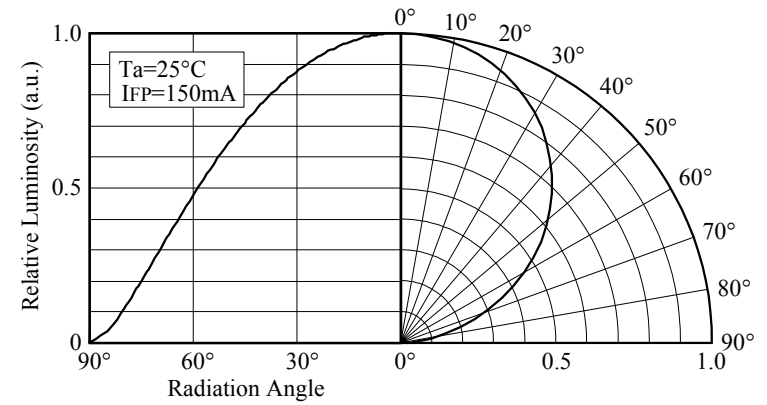
■ Forward Current vs. Dominant Wavelength



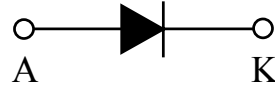
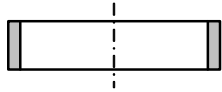
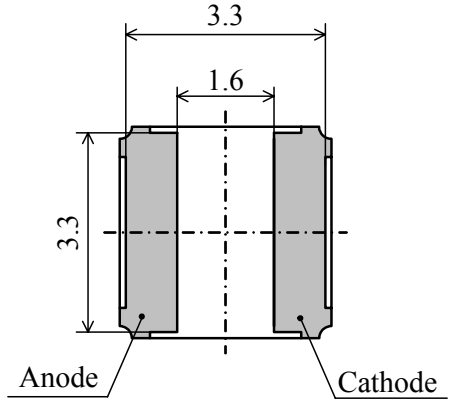
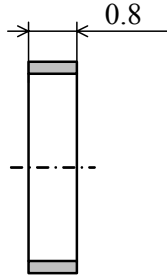
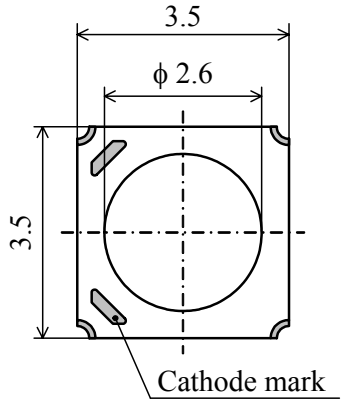
■ Ambient Temperature vs. Dominant Wavelength



■ Directivity



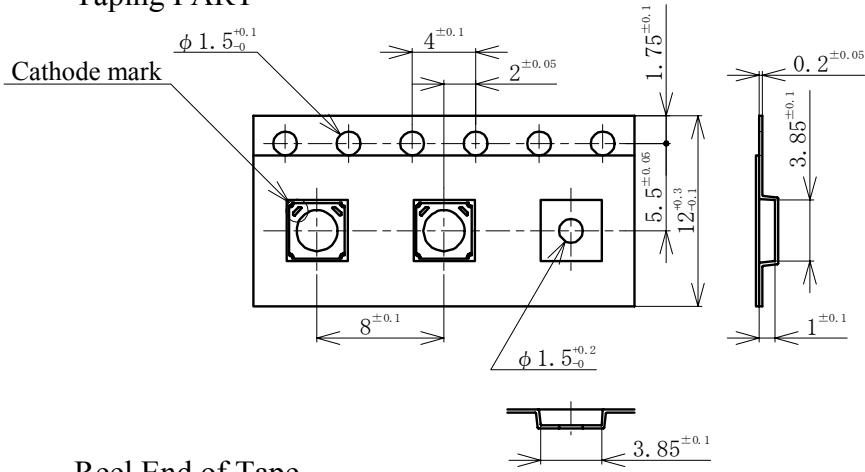
| | | |
|---------------------------|-------|-----------------|
| NICHIA CORPORATION | Model | NFSG036 |
| | Title | CHARACTERISTICS |
| | No. | 041130434792 |



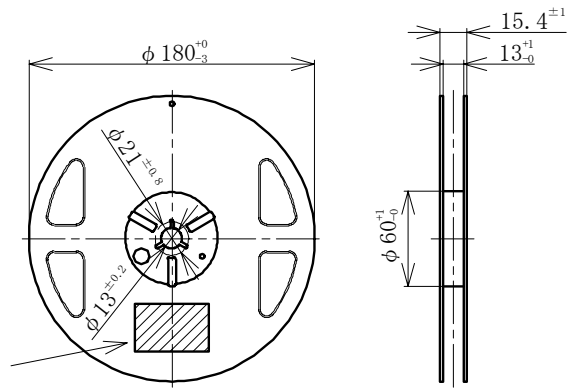
| ITEM | MATERIALS |
|---------------------------|--------------------------------|
| PACKAGE | Ceramics |
| ENCAPSULATING RESIN | Silicone Resin (with Diffused) |
| ENCAPSULATING RESIN COLOR | Green (with Diffused) |
| ELECTRODES | Ag Plating |

| | | | |
|--------------------|-------|--------------------|---------------|
| NICHIA CORPORATION | Model | NFSG036 | Unit mm |
| | Title | OUTLINE DIMENSIONS | |
| | No. | 041102434801 | Allow ±0.2 |

Taping PART

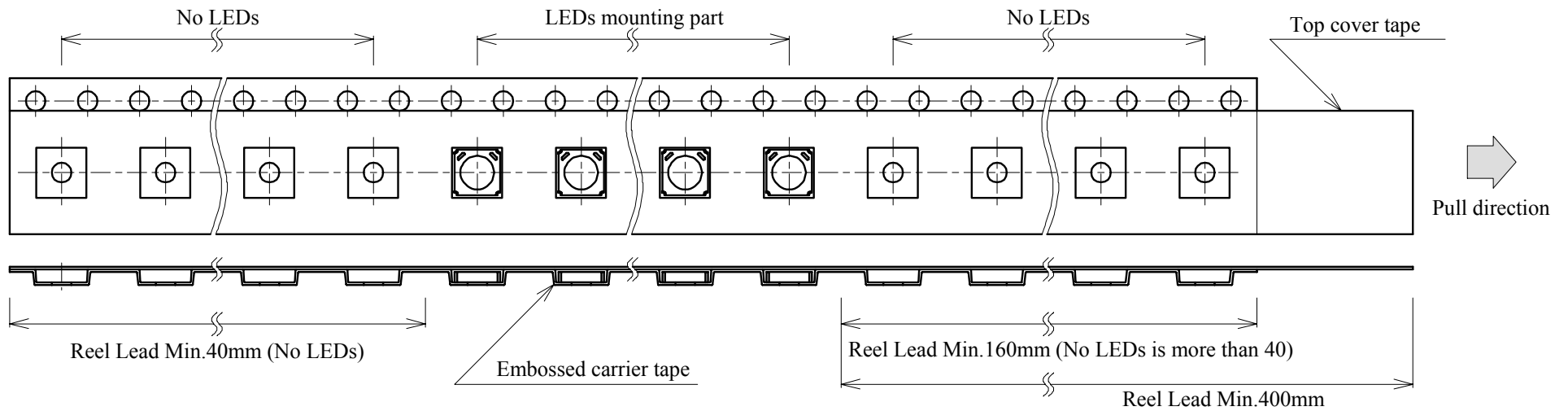


Reel PART



Label
XXXX LED
TYPE NFSx036T
LOT XXXXXX-△■
QTY pcs

Reel End of Tape

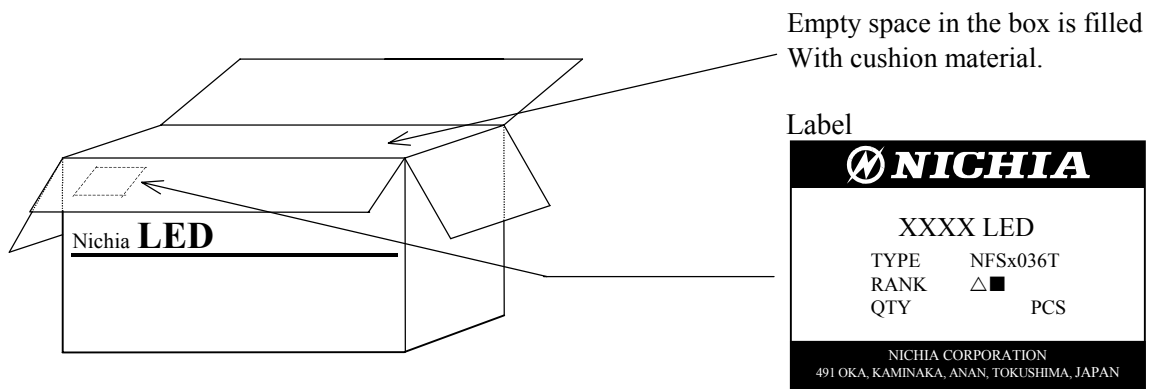
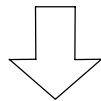
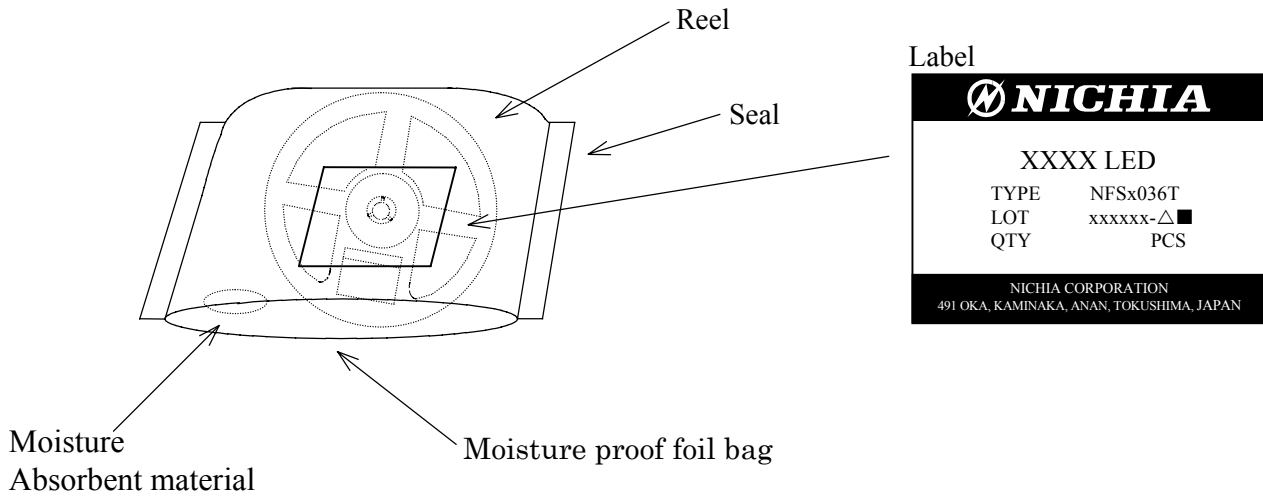


2,000pcs/Reel

Taping is based on the **JIS C 0806** : Packaging of Electronic Components on Continuous Tapes.

| | | | |
|---------------------------|-------|-------------------|------------------------------|
| NICHIA CORPORATION | Model | NFSx036T | Unit mm Scale Allow |
| | Title | TAPING DIMENSIONS | |
| | No. | 040924433471 | |

The reel and moisture absorbent material are put in the moisture proof foil bag and then heat sealed.



Packing unit

| | Reel/Bag | Quantity/Bag (pcs) |
|-------------------------|----------|--------------------|
| Moisture proof foil bag | 1reel | 2,000 MAX. |

| Cardboard box | Dimensions (mm) | Reel/Box | Quantity/Box (pcs) |
|-----------------|-----------------|-------------|--------------------|
| Cardboard box S | 270×280×100×4t | 4reel MAX. | 8,000 MAX. |
| Cardboard box M | 270×280×200×4t | 10reel MAX. | 20,000 MAX. |
| Cardboard box L | 270×280×300×4t | 16reel MAX. | 32,000 MAX. |

| | | | |
|---------------------------|-------|--------------|---|
| NICHIA CORPORATION | Model | NFSx036T | / |
| | Title | PACKING | |
| | No. | 040924433481 | |