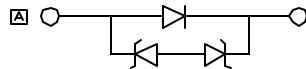
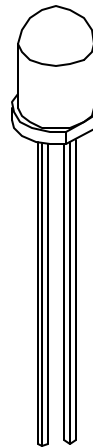
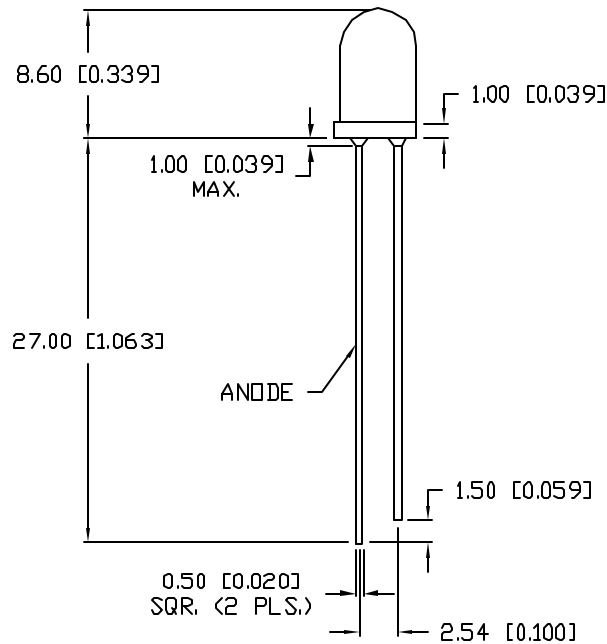
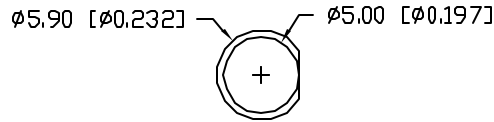


UNCONTROLLED DOCUMENT

CAUTION: STATIC SENSITIVE DEVICE  
FOLLOW PROPER E.S.D. HANDLING PROCEDURES  
WHEN WORKING WITH THIS PART.



\*UNLESS OTHERWISE SPECIFIED TOLERANCES PER DECIMAL PRECISION ARE: X=±1 (±0.039), X.X=±0.5 (±0.020), X.XX=±0.25 (±0.010), X.XXX=±0.127 (±0.005). LEAD SIZE=±0.05 (±0.002), LEAD LENGTH=±0.75 (±0.030), MIN. = <sup>+0.00</sup>-0.00 DECIMAL PRECISION MAX. = <sup>+0.00</sup>-0.00 DECIMAL PRECISION

PART NUMBER		REV.
SSL-LX5093UWW		B
REV.	E.C.N. NUMBER AND REVISION COMMENTS	DATE
A	E.C.N. #11283.	1.6.06
B	E.C.N. #11148	10.27.06

ELECTRO-OPTICAL CHARACTERISTICS T<sub>A</sub>=25°C

PARAMETER	SYMBOL	MIN	TYP	MAX	UNITS	TEST COND
PEAK WAVELENGTH			550 (WHITE)		nm	
FORWARD VOLTAGE	V <sub>f</sub>		3.6	4.0	V	I <sub>f</sub> =20mA
REVERSE VOLTAGE	V <sub>r</sub>	5			V	I <sub>r</sub> =10μA
AXIAL INTENSITY(*1)	I <sub>v</sub>		680		mcd	I <sub>f</sub> =20mA
CHROMATICITY	X		0.29			I <sub>f</sub> =10mA
COORDINATES(*2)	Y		0.30			
VIEWING ANGLE			34		2x theta	
EMITTED COLOR:	WHITE					
EPOXY LENS FINISH:	MILKY WHITE DIFFUSED					

\*1. AXIAL INTENSITY TESTING CONDITION: 550nm WAVELENGTH.  
\*2. THE ICI STANDARD COLORIMETRIC SYSTEM.

LIMITS OF SAFE OPERATION AT 25°C

PARAMETER	SYMBOL	MAX	UNITS
PULSE FORWARD CURRENT	I <sub>p</sub>	100*	mA
STEADY CURRENT	I <sub>F</sub>	30	mA
POWER DISSIPATION	P <sub>D</sub>	120	mW
OPERATING TEMP.	T <sub>OPR</sub>	-30 TO +80	°C
STORAGE TEMP.	T <sub>STG</sub>	-40 TO +100	°C
SOLDERING TEMP.		+260	°C
2.0mm FROM BODY			3 SEC. MAX

\*DUTY 1/10 PULSE WIDTH 10ms



UNCONTROLLED DOCUMENT

REV.	PART NUMBER
B	SSL-LX5093UWW

CONFIDENTIAL INFORMATION  
THE INFORMATION CONTAINED IN THIS DOCUMENT IS THE PROPERTY OF LUMEX INC. EXCEPT AS SPECIFICALLY AUTHORIZED IN WRITING BY LUMEX INC., THE HOLDER OF THIS DOCUMENT SHALL KEEP ALL INFORMATION CONTAINED HEREIN CONFIDENTIAL AND SHALL PROTECT SAME IN WHOLE OR IN PART FROM DISCLOSURE AND DISSEMINATION TO ALL THIRD PARTIES.



290 E. HELEN ROAD  
PALATINE, IL 60067-6976  
PHONE: +1.847.359.2790  
US WEB: www.lumex.com  
TW WEB: www.lumex.com.tw

T-5mm (T-1) ULTRA WHITE LED,  
MILKY WHITE DIFFUSED LENS.

RELIABILITY NOTE  
OUR MANY YEARS OF EXPERIENCE DATA ACCUMULATION INDICATE THAT SOLDER HEAT IS A MAJOR CAUSE OF EARLY AND FUTURE FAILURE. PLEASE PAY ATTENTION TO YOUR SOLDERING PROCESS.

DRAWN BY: JC	CHECKED BY:	APPROVED BY:	DATE: 10.27.06
			PAGE: 1 OF 1
			SCALE: N/A