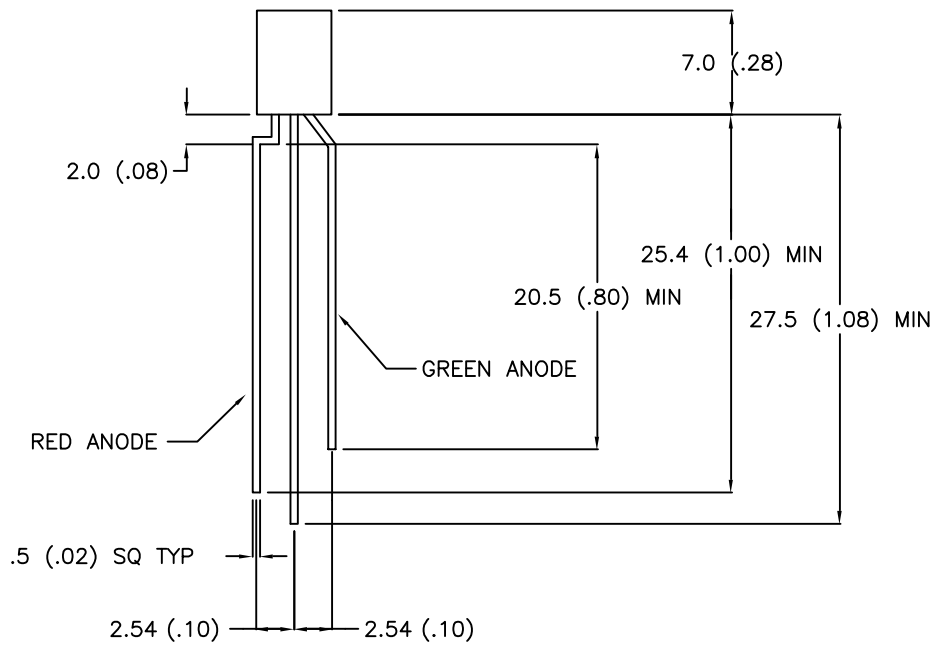
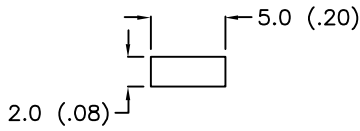


DATE	REVISIONS	REV
1-23-96	ECN #10112 & ECN #10113	A

DRAWING NUMBER	REV
SSL-LX2579HGW	A



Ⓐ ELECTRO-OPTICAL CHARACTERISTICS $T_A=25^{\circ}\text{C}$ $I_f=20\text{mA}$

PARAMETER	MIN	TYP	MAX	UNITS	TEST COND
PEAK WAVELENGTH		695 (RED) 565 (GREEN)		nm	
FORWARD VOLTAGE (H/G)		2.1	2.8	V_f	
REVERSE VOLTAGE	5.0			V_r	$I_r=100\mu\text{A}$
AXIAL INTENSITY (H/G)		6.0		mcd	$I_f=20\text{mA}$
VIEWING ANGLE		110		2x theta	
EMITTED COLOR		RED/GREEN			
EPOXY LENS FINISH		MILKY WHITE	DIFFUSED		

Ⓐ LIMITS OF SAFE OPERATION AT 25°C

PARAMETER	MAX	UNITS
PEAK FORWARD CURRENT*(H/G)	150	mA
STEADY CURRENT (H/G)	25	mA
POWER DISSIPATION (H/G)	120/105	mW
DERATE FROM 25°C	-1.2	$\text{mW}/^{\circ}\text{C}$
OPERATING, STORAGE TEMP	-40 TO +85	$^{\circ}\text{C}$
LEAD SOLDERING TEMP	+260	$^{\circ}\text{C}$
2.0mm FROM BODY		3 SEC. MAX

* $t < 10\mu\text{s}$

LUMEX OPTO COMPONENTS INC.	292 E. HELLEN ROAD PALATINE, ILLINOIS 60067 (708) 359-2790		
--------------------------------------	--	--	--

CONFIDENTIAL INFORMATION
 THE INFORMATION CONTAINED IN THIS DOCUMENT IS THE PROPERTY OF LUMEX OPTO/COMPONENTS, INC. EXCEPT AS SPECIFICALLY AUTHORIZED IN WRITING BY LUMEX OPTO/COMPONENTS, INC. THE HOLDER OF THIS DOCUMENT SHALL KEEP ALL INFORMATION CONTAINED HEREIN CONFIDENTIAL AND SHALL PROTECT SAME IN WHOLE OR IN PART FROM DISCLOSURE AND DISSEMINATION TO ALL THIRD PARTIES.

DATE: 12-11-92	DWN:	CHK'D:	APPD:
SCALE: N/A			

2 x 5mm RECTANGULAR LED,
BICOLOR RED/GREEN

PAGE 1 OF 1	DRAWING NUMBER SSL-LX2579HGW	REV A
-------------	---------------------------------	----------