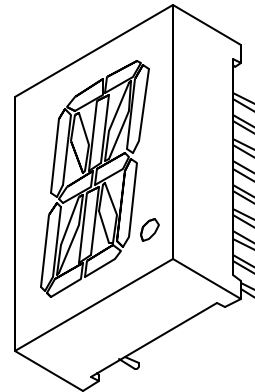
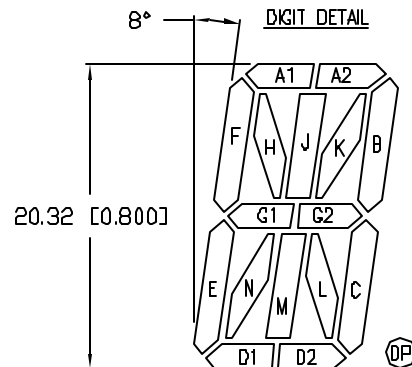
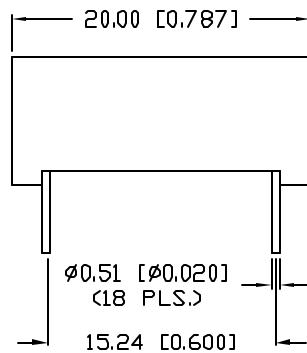
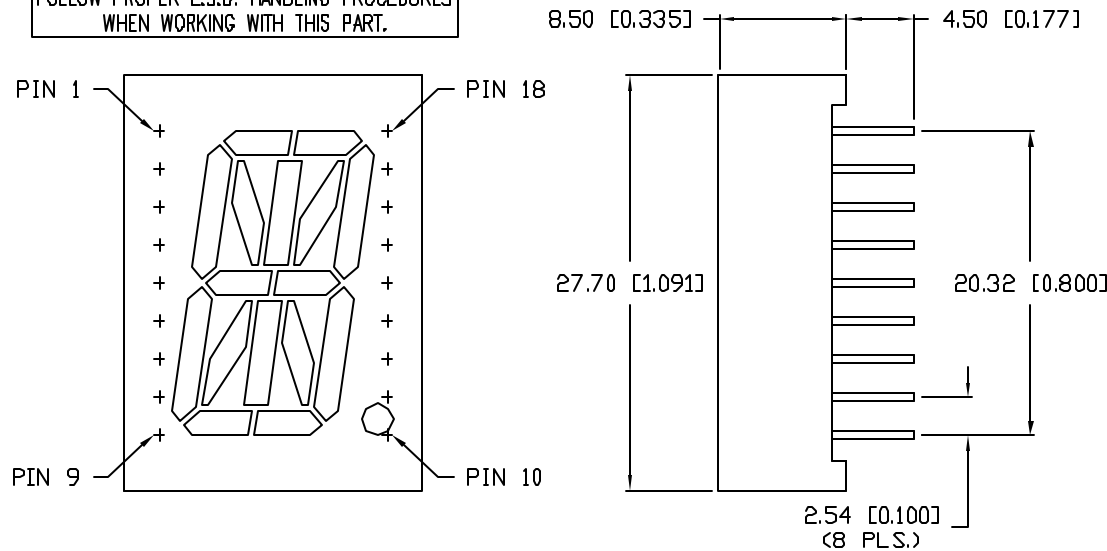


# UNCONTROLLED DOCUMENT

**CAUTION: STATIC SENSITIVE DEVICE**  
 FOLLOW PROPER E.S.D. HANDLING PROCEDURES  
 WHEN WORKING WITH THIS PART.



PART NUMBER  
**LDS-E8007RI-USB**  
 REV.

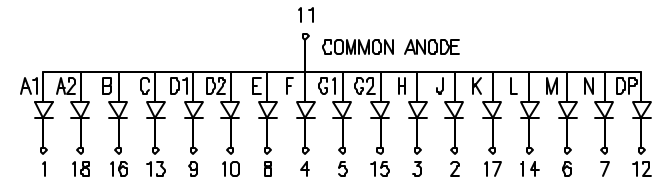
ELECTRO-OPTICAL CHARACTERISTICS  $T_A=25^\circ\text{C}$   $I_f=10\text{mA}$

| PARAMETER       | MIN                  | TYP  | MAX | UNITS          | TEST COND            |
|-----------------|----------------------|------|-----|----------------|----------------------|
| PEAK WAVELENGTH |                      | 470  |     | nm             |                      |
| FORWARD VOLTAGE |                      | 3.5  | 4.0 | $V_f$          |                      |
| REVERSE VOLTAGE | 5.0                  |      |     | $V_r$          | $I_f=100\mu\text{A}$ |
| AXIAL INTENSITY |                      | 6000 |     | $\mu\text{cd}$ | $I_f=10\text{mA}$    |
| EMITTED COLOR:  | BLUE                 |      |     |                |                      |
| FACE COLOR:     | GRAY                 |      |     |                |                      |
| SEGMENT COLOR:  | MILKY WHITE DIFFUSED |      |     |                |                      |

LIMITS OF SAFE OPERATION AT  $25^\circ\text{C}$  PER SEGMENT

| PARAMETER                      | MAX        | UNITS                      |
|--------------------------------|------------|----------------------------|
| PEAK FORWARD CURRENT*          | 150        | mA                         |
| STEADY CURRENT                 | 30         | mA                         |
| POWER DISSIPATION              | 120        | mW                         |
| DERATE FROM $25^\circ\text{C}$ | -1.2       | $\text{mW}/^\circ\text{C}$ |
| OPERATING, STORAGE TEMP.       | -40 TO +85 | $^\circ\text{C}$           |
| SOLDERING TEMP.                | +260       | $^\circ\text{C}$           |
| 2.0mm FROM BODY                |            | 3 SEC. MAX                 |

\*  $t < 10\mu\text{s}$



# UNCONTROLLED DOCUMENT

\*UNLESS OTHERWISE SPECIFIED TOLERANCES PER DECIMAL PRECISION ARE: X=±1 (±0.039), X.X=±0.5 (±0.020), X.XX=±0.25 (±0.010), X.XXX=±0.127 (±0.005). LEAD SIZE=±0.05 (±0.002), LEAD LENGTH=±0.75 (±0.030), MIN= <sup>+DECIMAL PRECISION</sup> -0.00 <sub>-DECIMAL PRECISION</sub>

REV. PART NUMBER  
**LDS-E8007RI-USB**

**CONFIDENTIAL INFORMATION**  
 THE INFORMATION CONTAINED IN THIS DOCUMENT IS THE PROPERTY OF LUMEX INC. EXCEPT AS SPECIFICALLY AUTHORIZED IN WRITING BY LUMEX INC, THE HOLDER OF THIS DOCUMENT SHALL KEEP ALL INFORMATION CONTAINED HEREIN CONFIDENTIAL AND SHALL PROTECT SAME IN WHOLE OR IN PART FROM DISCLOSURE AND DISSEMINATION TO ALL THIRD PARTIES.



290 E. HELEN ROAD  
 PALATINE, IL 60067-6976  
 PHONE: +1.847.359.2790  
 US WEB: www.lumex.com  
 TW WEB: www.lumex.com.tw

0.800" 16 SEGMENT, ALPHANUMERIC LED DISPLAY,  
 470nm BLUE CHIPS, GRAY FACE WITH WHITE SEGMENTS,  
 COMMON ANODE, RIGHT DECIMAL PLACE.

**RELIABILITY NOTE**  
 OUR MANY YEARS OF EXPERIENCE DATA ACCUMULATION INDICATE THAT SOLDER HEAT IS A MAJOR CAUSE OF EARLY AND FUTURE FAILURE. PLEASE PAY ATTENTION TO YOUR SOLDERING PROCESS.

DRAWN BY: BC CHECKED BY: APPROVED BY: DATE: 7.11.03  
 PAGE: 1 OF 1  
 SCALE: N/A