

DATE

REVISIONS

REV

DRAWING NUMBER  
LDS-CD12RI

REV

ABSOLUTE MAXIMUM RATINGS  $T_A=25^\circ\text{C}$ 

VR	IF	IFP	PD	TOPR
V	mA	mA	mW	$^\circ\text{C}$
5	30	150	105	-40 TO +85

ELECTRICAL-OPTICAL CHARACTERISTICS  $T_A=25^\circ\text{C}$ 

IF	V <sub>F</sub> TYP.	V <sub>F</sub> MAX.	I <sub>V</sub> TYP.	I <sub>R</sub> MAX.	I <sub>P</sub>
mA	V	V	mcd	mA	nm
10	8.4	10.0	6300	100	565

## COLORS

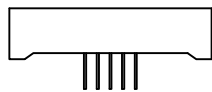
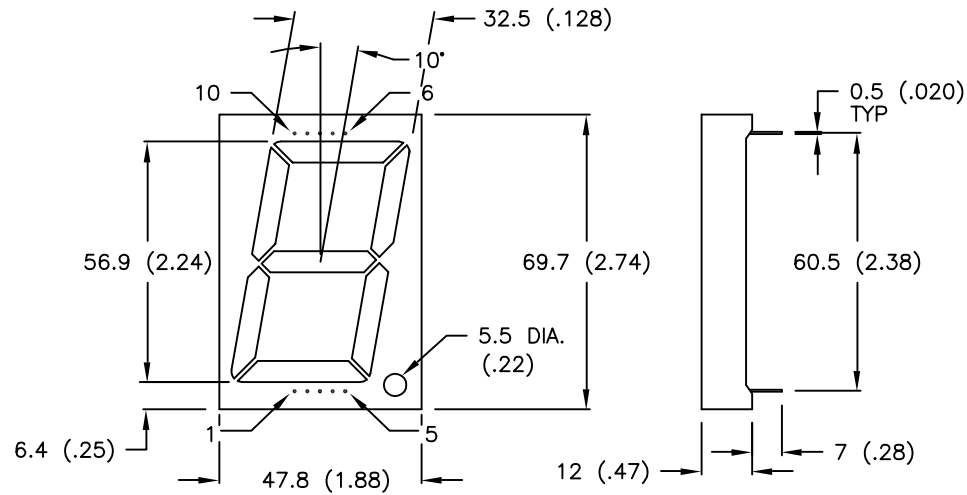
EMITTED: GREEN

FONT: GRAY

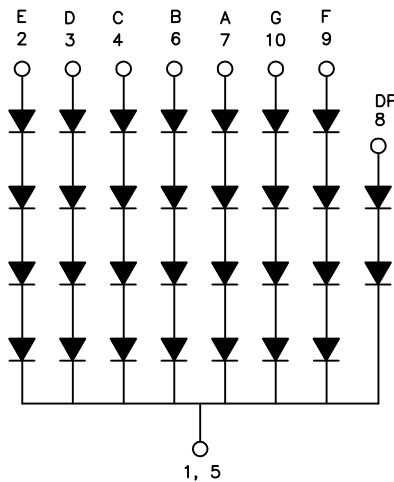
SEGMENT: WHITE

## NOTES:

- ALL DIMENSIONS ARE IN MILLIMETERS AND INCHES TOLERANCE IS 0.25 (0.01") UNLESS OTHERWISE SPECIFIED.
- I<sub>V</sub> TESTED CONDITION I<sub>F</sub>=10mA AND THE LISTED I<sub>V</sub> IS THE AVERAGE INTENSITY FOR EVERY SEGMENT LISTED.



3.0 (.118) TYP

UNLESS OTHERWISE SPECIFIED TOLERANCE IS  $\pm 0.25\text{mm}$  ( $\pm 0.010''$ )
**LUMEX**  
OPTO COMPONENTS INC.

 290 E. HELLEN ROAD  
 PALATINE, ILLINOIS 60067  
 (847) 359-2790

 CONFIDENTIAL INFORMATION  
 THE INFORMATION CONTAINED IN THIS DOCUMENT IS THE PROPERTY OF LUMEX OPTO/COMPONENTS, INC. EXCEPT AS SPECIFICALLY AUTHORIZED IN WRITING BY LUMEX OPTO/COMPONENTS, INC., THE HOLDER OF THIS DOCUMENT SHALL KEEP ALL INFORMATION CONTAINED HEREIN CONFIDENTIAL AND SHALL PROTECT SAME IN WHOLE OR IN PART FROM DISCLOSURE AND DISSEMINATION TO ALL THIRD PARTIES.

DATE: 5-14-93

DWN:

CHK'D:

APPD:

SCALE: N/A

 2.3" SEVEN SEGMENT DISPLAY, GREEN,  
 COMMON CATHODE

PAGE 1 OF 1

DRAWING NUMBER  
LDS-CD12RI

REV