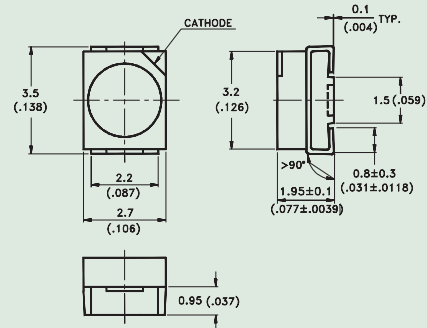
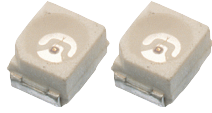
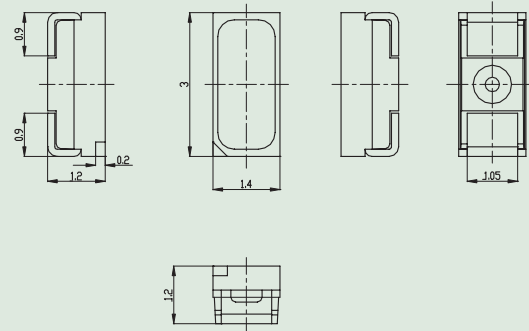


Top View PLCC 3.5(L) x 2.7(W) x 1.9(H)mm-PLCC2



Part No.	Material	Lens Color	Wd	Viewing Angle $2\theta^{1/2^*}$	I_v Typ. @ 20mA	V_F Typ. @ 20mA	Tape and Reel
LTST-T670TBL	InGaN Blue	Water Clear	■ 470nm	120°	90mcd	3.3V	2,000 pcs per Reel
LTST-T670TGL	InGaN Pure Green	Water Clear	■ 525nm	120°	350mcd	3.3V	2,000 pcs per Reel
LTST-T670KGL	AllInGaP Yellow Green	Water Clear	■ 571nm	120°	70mcd	2.0V	2,000 pcs per Reel
LTST-T670KSL	AllInGaP Yellow	Water Clear	■ 589nm	120°	150mcd	2.0V	2,000 pcs per Reel
LTST-T670KFL	AllInGaP Orange	Water Clear	■ 605nm	120°	150mcd	2.0V	2,000 pcs per Reel
LTST-T670KRL	AllInGaP Red	Water Clear	■ 631nm	120°	110mcd	2.0V	2,000 pcs per Reel
LTW-670DS-STD	InGaN White	Yellow	(0.30, 0.29)	120°	1600mcd	3.3V	2,000 pcs per Reel

Top View PLCC 3.0(L) x 1.4(W) x 1.2(H)mm-PLCC2



Part No.	Material	Lens Color	Wd	Viewing Angle $2\theta^{1/2^*}$	I_v Typ. @ 20mA	V_F Typ. @ 30mA	Tape and Reel
LTW-M140GS	InGaN White	Yellow	(0.30, 0.20)	120°	2000mcd	3.3V	2,000 pcs per Reel
LTW-M140GSM	InGaN White	Orange	(0.30, 0.29)	120°	1600mcd	3.3V	2,000 pcs per Reel