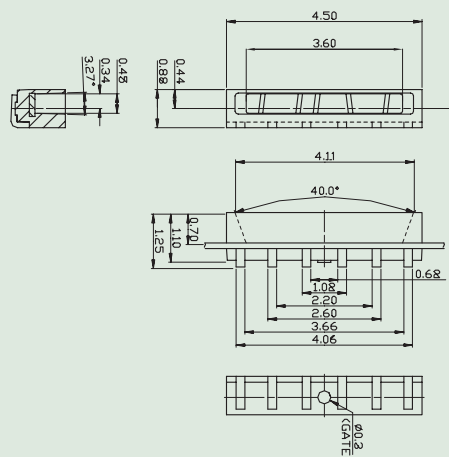
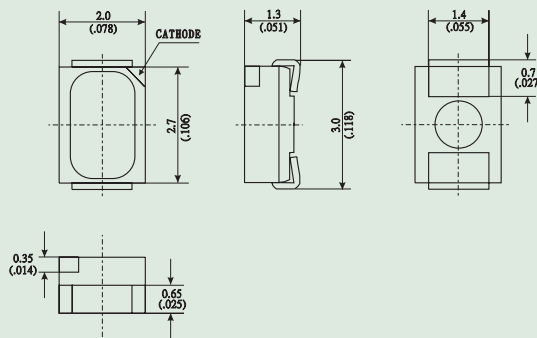
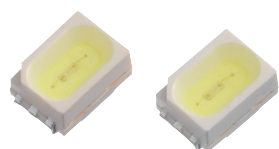


Side View PLCC 3.8(L) x 1.0(W) x 0.8(H)mm



Part No.	Material	Lens Color	Wd	Viewing Angle 2 θ ^{1/2} *	I _v Typ. @ 20mA	V _F Typ. @ 20mA	Tape and Reel
LTW-008RGB	Red	Water Clear	■ 624nm	120°	1000mcd	2.0V	2,000 pcs per Reel
	Green		■ 525nm			3.3V	
	Blue		■ 460nm			3.3V	

Top View PLCC 3.0(L) x 2.0(W) x 1.3(H)mm-PLCC2



Part No.	Material	Lens Color	Wd	Viewing Angle 2 θ ^{1/2} *	I _v Typ. @ 20mA	V _F Typ. @ 20mA	Tape and Reel
LTST-M670TBL	InGaN Blue	Water Clear	■ 470nm	120°	450mcd	3.3V	2,000 pcs per Reel
LTST-M670TGL	InGaN Pure Green	Water Clear	■ 525nm	120°	1200mcd	3.3V	2,000 pcs per Reel
LTST-M670QGL	AllInGaP Yellow Green	Water Clear	■ 571nm	120°	135mcd	2.0V	2,000 pcs per Reel
LTST-M670QSL	AllInGaP Yellow	Water Clear	■ 589nm	120°	200mcd	2.0V	2,000 pcs per Reel
LTST-M670QFL	AllInGaP Orange	Water Clear	■ 605nm	120°	280mcd	2.0V	2,000 pcs per Reel
LTST-M670QRL	AllInGaP Red	Water Clear	■ 631nm	120°	200mcd	2.0V	2,000 pcs per Reel
LTW-M670ZVD	InGaN White	Yellow	(0.30, 0.29)	120°	1600mcd	3.3V	2,000 pcs per Reel
LTW-M670GS	InGaN White	Yellow	(0.30, 0.29)	120°	1800mcd	3.3V	2,000 pcs per Reel