

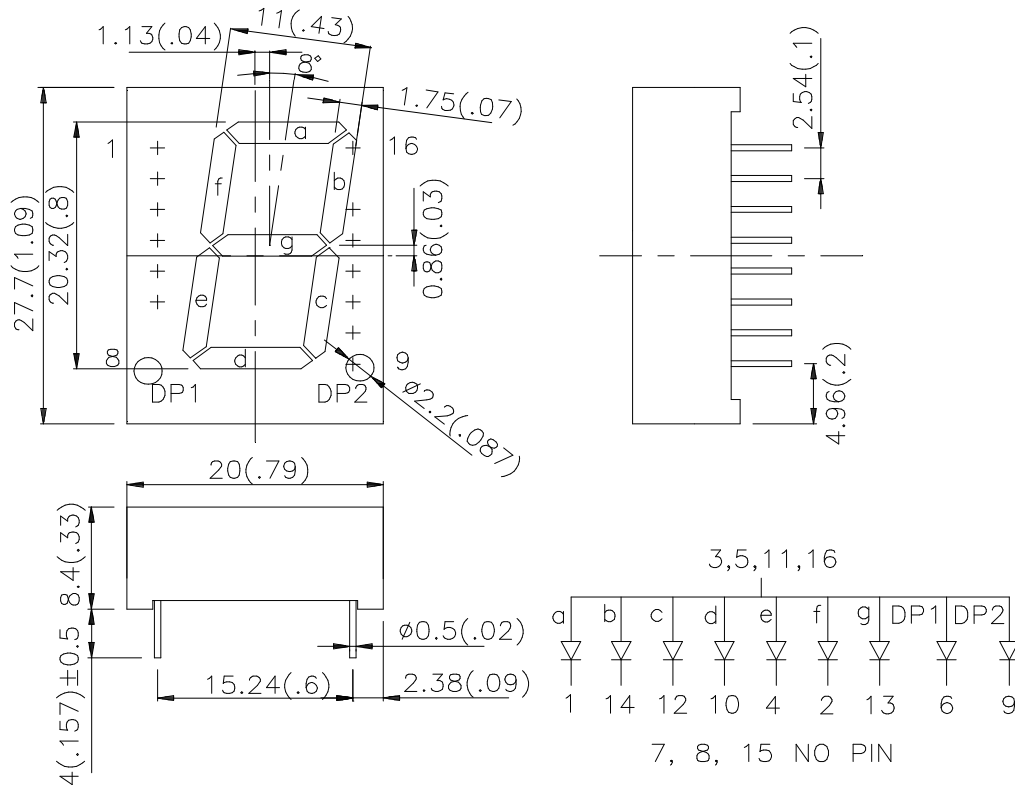
### Features

- 0.8 INCH DIGIT HEIGHT.
- LOW CURRENT OPERATION.
- EXCELLENT CHARACTER APPEARANCE.
- EASY MOUNTING ON P.C. BOARDS OR SOCKETS.
- I.C. COMPATIBLE.
- CATEGORIZED FOR LUMINOUS INTENSITY.
- MECHANICALLY RUGGED.
- STANDARD : GRAY FACE, WHITE SEGMENT.
- RoHS COMPLIANT.

### Description

The Green source color devices are made with Gallium Phosphide Green Light Emitting Diode.

### Package Dimensions & Internal Circuit Diagram



**Notes:**

1. All dimensions are in millimeters (inches), Tolerance is  $\pm 0.25(0.01)$  unless otherwise noted.
2. Specifications are subject to change without notice.

## Selection Guide

| Part No.   | Dice        | Lens Type      | Iv (ucd) [1]<br>@ 10mA |       | Description                             |
|------------|-------------|----------------|------------------------|-------|---|
|            |             |                | Min.                   | Typ.  |   |
| SA08-13GWA | GREEN (GaP) | WHITE DIFFUSED | 1900                   | 10500 | Common Anode, Rt.&<br>Lt. Hand Decimal. |

Note:

1. Luminous Intensity / Luminous Flux: +/-15%.

## Electrical / Optical Characteristics at TA=25°C

| Symbol                | Parameter                | Device | Typ. | Max. | Units | Test Conditions |
|-----------------------|--------------------------|--------|------|------|-------|-----------------|
| $\lambda_{peak}$      | Peak Wavelength          | Green  | 565  |      | nm    | IF=20mA         |
| $\lambda_D$ [1]       | Dominant Wavelength      | Green  | 568  |      | nm    | IF=20mA         |
| $\Delta\lambda_{1/2}$ | Spectral Line Half-width | Green  | 30   |      | nm    | IF=20mA         |
| C                     | Capacitance              | Green  | 15   |      | pF    | VF=0V;f=1MHz    |
| VF [2]                | Forward Voltage          | Green  | 2.2  | 2.5  | V     | IF=20mA         |
| IR                    | Reverse Current          | Green  |      | 10   | uA    | VR = 5V         |

Notes:

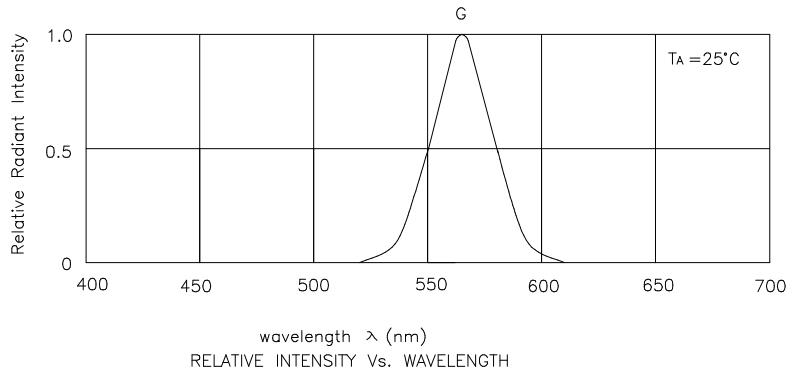
1. Wavelength: +/-1nm.
2. Forward Voltage: +/-0.1V.

## Absolute Maximum Ratings at TA=25°C

| Parameter                       | Green               | Units |
|---------------------------------|---------------------|-------|
| Power dissipation               | 105                 | mW    |
| DC Forward Current              | 25                  | mA    |
| Peak Forward Current [1]        | 140                 | mA    |
| Reverse Voltage                 | 5                   | V     |
| Operating / Storage Temperature | -40°C To +85°C      |       |
| Lead Solder Temperature [2]     | 260°C For 3 Seconds |       |

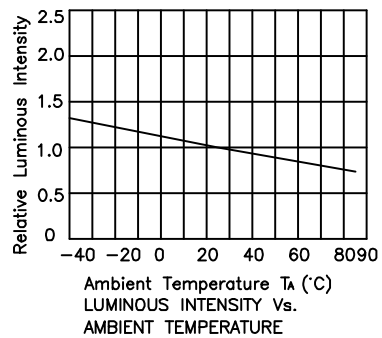
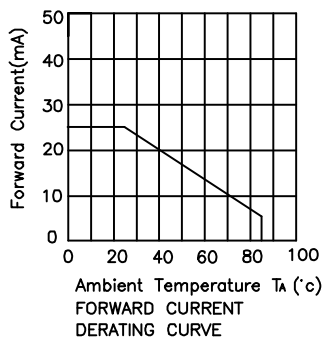
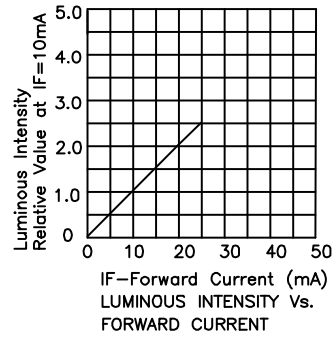
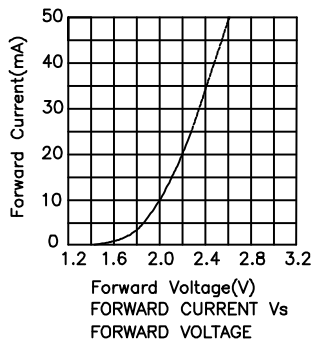
Notes:

1. 1/10 Duty Cycle, 0.1ms Pulse Width.
2. 2mm below package base.



Green

SA08-13GWA



## PACKING & LABEL SPECIFICATIONS

## SA08-13GWA

