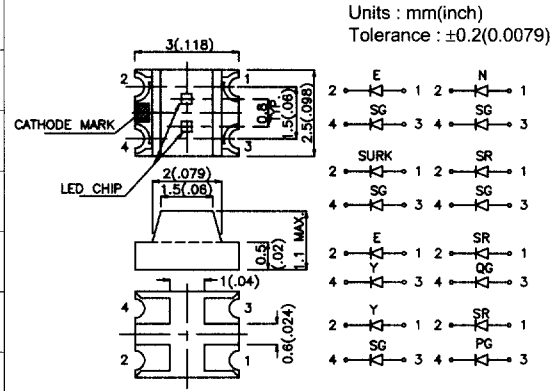
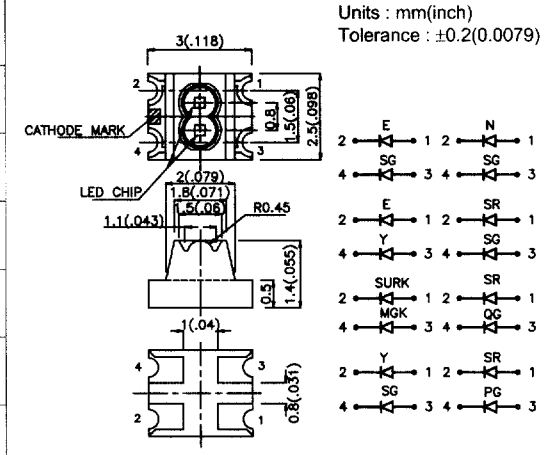


Part No.	Emitting Color + Material	λ D (nm)	Lens Type	Iv (mcd) @20mA		Viewing Angle 2θ1/2	Dimension
				Min.	Typ.		

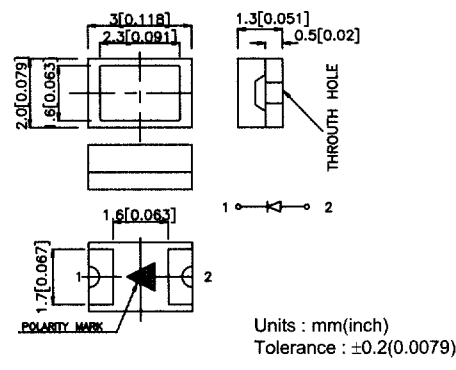
KPBL-3025ESGC	GaAsP/GaP	625	water clear	5	12	120°	3.0mm x 2.5mm x 1.1mm (1109 Bi-Color)
	GaP	568		3	12		
KPBL-3025EYC	GaAsP/GaP	625	water clear	5	12	120°	
	GaAsP/GaP	588		3	8		
KPBL-3025NSGC	GaAsP/GaP	610	water clear	5	12	120°	
	GaP	568		3	12		
KPBL-3025SRSGC-PRV	GaAlAs	640	water clear	20	80	120°	
	GaP	568		3	12		
KPBL-3025SRQGC-PRV	GaAlAs	640	water clear	20	80	120°	
	GaP	568		3	12		
KPBL-3025SRPGC-PRV	GaAlAs	640	water clear	20	80	120°	
	GaP	555		2	5		
KPBL-3025SURKMGKC	InGaAlP	630	water clear	80	160	120°	
	InGaAlP	570		10	40		
KPBL-3025YSGC	GaAsP/GaP	588	water clear	3	8	120°	
	GaP	568		3	12		



KPBL-3025ESGC	GaAsP/GaP	625	water clear	8	20	100°	3.0mm x 2.5mm x 1.4mm (1109 Bi-Color)
	GaP	568		8	20		
KPBL-3025EYC	GaAsP/GaP	625	water clear	8	20	100°	
	GaAsP/GaP	588		5	15		
KPBL-3025NSGC	GaAsP/GaP	610	water clear	8	20	100°	
	GaP	568		8	20		
KPBL-3025SRSGC-PRV	GaAlAs	660	water clear	40	100	100°	
	GaP	568		8	20		
KPBL-3025SRQGC-PRV	GaAlAs	660	water clear	40	100	100°	
	GaP	565		8	20		
KPBL-3025SRPGC-PRV	GaAlAs	640	water clear	40	100	100°	
	GaP	555		3	8		
KPBL-3025SURKMGKC	InGaAlP	630	water clear	200	350	100°	
	InGaAlP	570		40	70		
KPBL-3025YSGC	GaAsP/GaP	588	water clear	5	15	100°	
	GaP	568		8	20		



KPK-3020EC	GaAsP/GaP	625	water clear	8	30	120°	3.0mm x 2.0 mm x 1.3mm (1208)
KPK-3020NC	GaAsP/GaP	610	water clear	8	30	120°	
KPK-3020SGC	GaP	568	water clear	8	30	120°	
KPK-3020PGC	GaP	555	water clear	2	5	120°	
KPK-3020YC	GaAsP/GaP	588	water clear	4	15	120°	
KPK-3020SRC-PRV	GaAlAs	640	water clear	40	150	120°	
KPK-3020SURC	InGaAlP	628	water clear	80	200	120°	
KPK-3020SURCK	InGaAlP	630	water clear	70	200	120°	
KPK-3020SEC	InGaAlP	601	water clear	100	300	120°	
KPK-3020SECK	InGaAlP	601	water clear	80	150	120°	
KPK-3020MGC	InGaAlP	568	water clear	40	80	120°	
KPK-3020SYC	InGaAlP	588	water clear	30	100	120°	
KPK-3020SYCK	InGaAlP	590	water clear	30	80	120°	
KPK-3020MBC	GaN	455	water clear	3	15	120°	
KPK-3020MBCK	GaN	455	water clear	2.6	6	120°	
KPK-3020PBC	InGaN	465	water clear	20	60	120°	



NOTE :
1. KP series custom-made is available upon request.