

**Harvatek Surface Mount LEDs Data Sheet
HT-F107TW**

Official Product	HT-F107TW	Your Part No.		Data Sheet No.
		*****		HT-F107TW
Specifications are subject to changes for improvement without advance notice. Proprietary data, drawings, and company confidential all rights reserved.		Oct. 19, 2013	Version 1.0	Page 1/16

DISCLAIMER 3

PRODUCT SPECIFICATION 4

ATTENTION: ELECTRICSTATIC DISCHARGE (ESD) PROTECTION..... 4

LABEL SPEC. 5

PRODUCT CHARACTERISTICS 9

ELECTRO-OPTICAL CHARACTERISTICS 9

PACKAGE OUTLINE DIMENSION..... 9

ABSOLUTE MAXIMUM RATINGS 9

CHARACTERISTICS CURVES..... 10

PACKAGING TAPE, REEL, AND PACKING MODEL..... 11

TAPE DIMENSION 11

REEL DIMENSION 12

PACKING MODEL 12

DRY PACK..... 13

STORAGE 13

BAKING 13

CAUTIONS OF PICK AND PLACE 14

PRECAUTIONS..... 14

RE-FLOW SOLDERING 15

Lead-free Solder..... 15

REWORK 15

CLEANING 15

REVISION HISTORY 16

Official Product	HT-F107TW	Your Part No.		Data Sheet No.
		*****		HT-F107TW
Specifications are subject to changes for improvement without advance notice. Proprietary data, drawings, and company confidential all rights reserved.		Oct. 19, 2013	Version 1.0	Page 2/16

DISCLAIMER

HARVATEK reserves the right to make changes without further notice to any products herein to improve reliability, function or design. HARVATEK does not assume any liability arising out of the application or use of any product or circuit described herein; neither does it convey any license under its patent rights, nor the rights of others.

LIFE SUPPORT POLICY

HARVATEK’s products are not authorized for use as critical components in life support devices or systems without the express written approval of the President of HARVATEK or HARVATEK INTERNATIONAL. As used herein:

1. Life support devices or systems are devices or systems which, (a) are intended for surgical implant into the body, or (b) support or sustain life, and (c) whose failure to perform when properly used in accordance with instructions for use provided in the labeling, can be reasonably expected to result in a significant injury of the user.

2. A critical component in any component of a life support device or system whose failure to perform can be reasonably expected to cause the failure of the life support device or system, or to affect its safety or effectiveness.

Official Product	HT-F107TW	Your Part No.		Data Sheet No.
		*****		HT-F107TW
Specifications are subject to changes for improvement without advance notice. Proprietary data, drawings, and company confidential all rights reserved.		Oct. 19, 2013	Version 1.0	Page 3/16

Product Specification

	Specification	Material	Quantity
Iv	Cool White: 1900~2850 mcd @20mA/ Ts= 25°C; Tolerance: + 10%		
Chromaticity Coordinates	Refer to page 8 @20mA/ Ta= 25° C Tolerance: ± 0.01		
Vf	Cool White:2.8~3.5 V (0.1V/Bin) @20mA/ Ts= 25°C; Tolerance: + 0.05V		
Resin	Yellow	Silicone resin	
Carrier tape	According to EIA 481-1A specs	Conductive black tape	2000pcs per reel
Reel	According to EIA 481-1A specs	Conductive black	
Label	HT standard	Paper	
Packing bag	220x240mm	Aluminum laminated bag/ no-zipper	One reel one bag
Carton	HT standard	Paper	Non-specified

Others:

Every mid-box will be loaded 5 reels. These 5 reels can be different in lot, Iv, lambda, or Vf. Every reel will have an independent label to identify its specification and the mid-box there will have a corresponding label post on it.

ATTENTION: Electricstatic Discharge (ESD) protection



The symbol shown on the page herein to introduce 'Electro-Optical Characteristics'. ESD protection for GaP and AlGaAs based chips is still necessary even though they are safe in low static-electric discharge. Parts built with AlInGaP, GaN, or/and InGaN based chips are **STATIC SENSITIVE devices**. ESD protection has to considered and taken in the initial design stage.

If manual work/process is needed, please ensure the device is well protected from ESD during all the process.

Official Product	HT-F107TW	Your Part No.		Data Sheet No.
		*****		HT-F107TW
Specifications are subject to changes for improvement without advance notice. Proprietary data, drawings, and company confidential all rights reserved.		Oct. 19, 2013	Version 1.0	Page 4/16

Label Spec.

HARVATEK TECHNOLOGIES		Date: yyyy/mm/dd
CUSTOMER P/N: 		
HARVATEK P/N: 	QTY: PCS 	
LOT NO: 		QC
IV BIN: COLOR BIN: VF:		

■ **Harvatek P/N**

H T - F 1 0 7 TW - XXXX

Series Name	Emitting Color	Custom code
HT-F107: 3.8x1.0x0.6mm	TW: White@20mA	XXXX Customer product code

■ **Lot No.**

1	2	3	4	5	6	7	8	9	10
E	1	A	1	A	2	2	L	1	2
Code 1 2		Code 3	Code 4	Code 5	Code 6	Code 7	Code 8	Code 9	Code 10
		Mfg. Year	Mfg. Month	Mfg. Date	Consecutive number		Special code		
Internal Tracing Code		2010-A 2011-B 2012-C 2013-D . .	1:Jan. 2:Feb. A:Oct. B:Nov. C:Dec.	1:A 2:B 3:C ... 26:Z 27:7 28:8 29:9 30:3 31:4	01~ZZ		000~ZZZ		

Official Product	HT-F107TW	Your Part No.		Data Sheet No.
		*****		HT-F107TW
Specifications are subject to changes for improvement without advance notice. Proprietary data, drawings, and company confidential all rights reserved.		Oct. 19, 2013	Version 1.0	Page 5/16

■ Luminous Intensity (I_v) Bin:

Bin	Luminous Intensity Range (mcd)	
	Minimum	Maximum
Z52	1900	2010
Z61	2010	2125
Z62	2125	2250
Z71	2250	2385
Z72	2385	2530
Z81	2530	2685
Z82	2685	2850

@20mA / Ta=25^o C, Tolerance: ± 10%

■ Forward Voltage (V_F) Bin:

Bin	Range
H1	2.8 – 2.9V
H2	2.9 – 3.0V
H3	3.0 – 3.1V
H4	3.1 – 3.2V
J1	3.2 – 3.3V
J2	3.3 – 3.4V
J3	3.4 – 3.5V

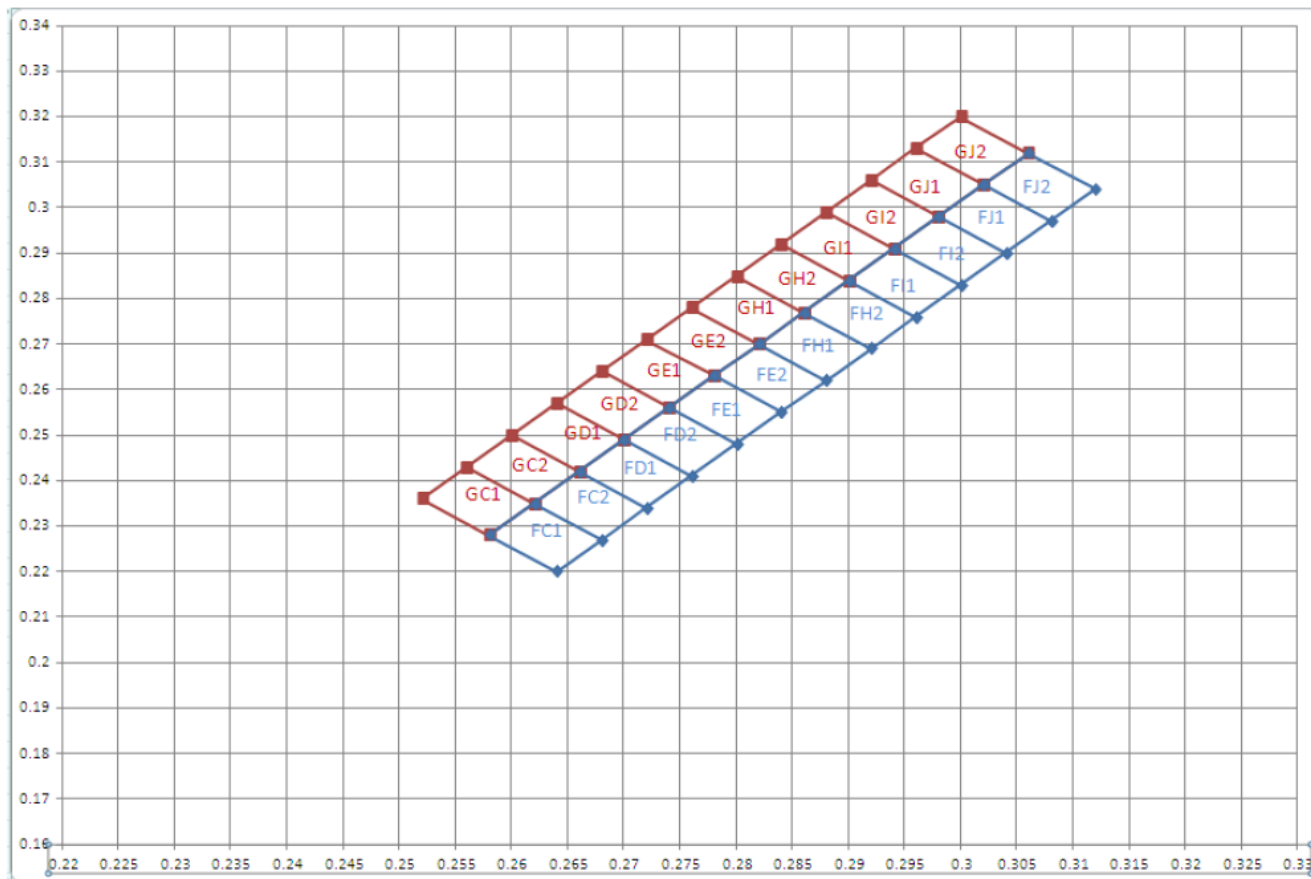
@20mA / Ta=25^o C, Tolerance: ± 0.05 V

Official Product	HT-F107TW	Your Part No.		Data Sheet No.
		*****		HT-F107TW
Specifications are subject to changes for improvement without advance notice. Proprietary data, drawings, and company confidential all rights reserved.		Oct. 19, 2013	Version 1.0	Page 6/16

■ XY Chromaticity Bin:

	x	y		x	y		x	y		x	y
GC1	0.258	0.228	FC1	0.264	0.22	GH1	0.282	0.27	FH1	0.288	0.262
	0.252	0.236		0.258	0.228		0.276	0.278		0.282	0.27
	0.256	0.243		0.262	0.235		0.28	0.285		0.286	0.277
	0.262	0.235		0.268	0.227		0.286	0.277		0.292	0.269
	0.258	0.228		0.264	0.22		0.282	0.27		0.288	0.262
GC2	0.262	0.235	FC2	0.268	0.227	GH2	0.286	0.277	FH2	0.292	0.269
	0.256	0.243		0.262	0.235		0.28	0.285		0.286	0.277
	0.26	0.25		0.266	0.242		0.284	0.292		0.29	0.284
	0.266	0.242		0.272	0.234		0.29	0.284		0.296	0.276
	0.262	0.235		0.268	0.227		0.286	0.277		0.292	0.269
GD1	0.266	0.242	FD1	0.272	0.234	GI1	0.29	0.284	FI1	0.296	0.276
	0.26	0.25		0.266	0.242		0.284	0.292		0.29	0.284
	0.264	0.257		0.27	0.249		0.288	0.299		0.294	0.291
	0.27	0.249		0.276	0.241		0.294	0.291		0.3	0.283
	0.266	0.242		0.272	0.234		0.29	0.284		0.296	0.276
GD2	0.27	0.249	FD2	0.276	0.241	GI2	0.294	0.291	FI2	0.3	0.283
	0.264	0.257		0.27	0.249		0.288	0.299		0.294	0.291
	0.268	0.264		0.274	0.256		0.292	0.306		0.298	0.298
	0.274	0.256		0.28	0.248		0.298	0.298		0.304	0.29
	0.27	0.249		0.276	0.241		0.294	0.291		0.3	0.283
GE1	0.274	0.256	FE1	0.28	0.248	GJ1	0.298	0.298	FJ1	0.304	0.29
	0.268	0.264		0.274	0.256		0.292	0.306		0.298	0.298
	0.272	0.271		0.278	0.263		0.296	0.313		0.302	0.305
	0.278	0.263		0.284	0.255		0.302	0.305		0.308	0.297
	0.274	0.256		0.28	0.248		0.298	0.298		0.304	0.29
GE2	0.278	0.263	FE2	0.284	0.255	GJ2	0.302	0.305	FJ2	0.308	0.297
	0.272	0.271		0.278	0.263		0.296	0.313		0.302	0.305
	0.276	0.278		0.282	0.27		0.3	0.32		0.306	0.312
	0.282	0.27		0.288	0.262		0.306	0.312		0.312	0.304
	0.278	0.263		0.284	0.255		0.302	0.305		0.308	0.297

Official Product	HT-F107TW	Your Part No.		Data Sheet No.
		*****		HT-F107TW
Specifications are subject to changes for improvement without advance notice. Proprietary data, drawings, and company confidential all rights reserved.		Oct. 19, 2013	Version 1.0	Page 7/16



@20mA / Ta=25° C, Tolerance: ± 0.01

Official Product	HT-F107TW	Your Part No.		Data Sheet No.
		*****		HT-F107TW
Specifications are subject to changes for improvement without advance notice. Proprietary data, drawings, and company confidential all rights reserved.		Oct. 19, 2013	Version 1.0	Page 8/16

Product Characteristics

Electro-Optical Characteristics

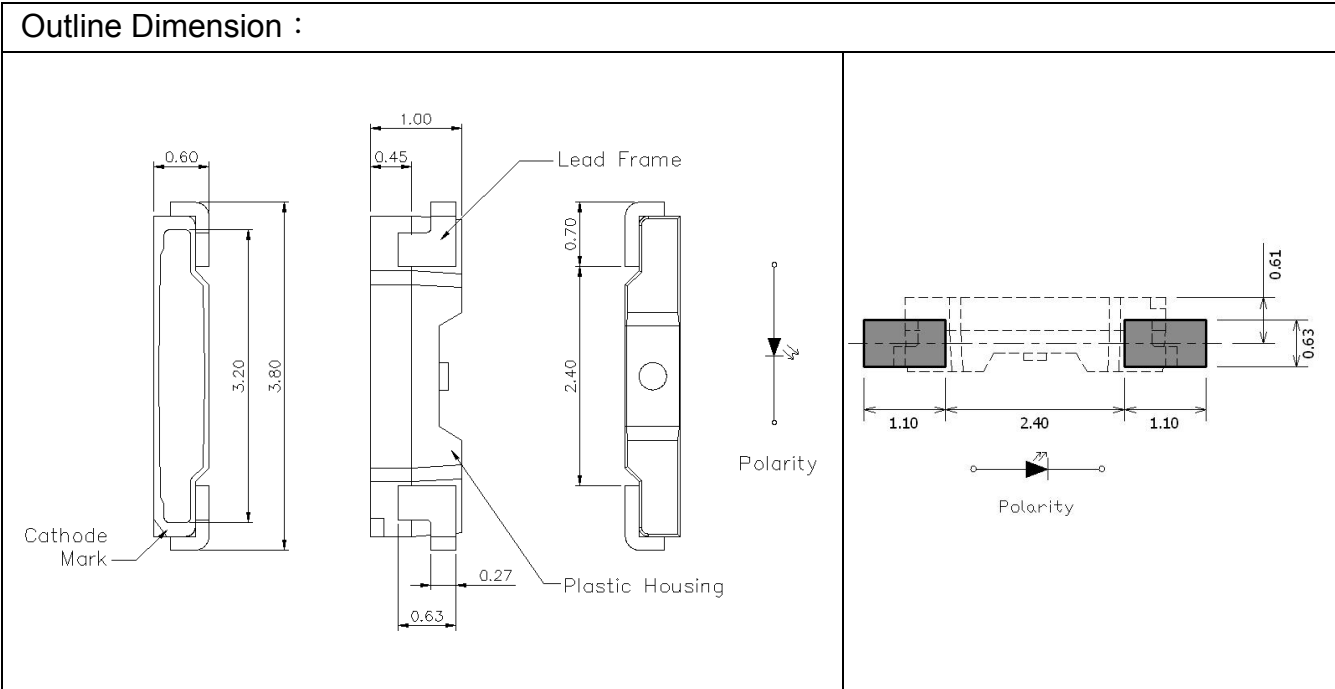
(I_F @ 20mA, T_a 25 °C)

Product No.	Lighting Color	Material	V _F (V)		λ (nm)		I _V [*] (mcd)	Viewing Angle 2θ 2/1
			Typ.	max	λ _D	λ _P	Typ.	
HT-F107TW	White	InGaN	2.8	3.5	X=0.285 Y=0.27	--	2350	120

* Per NIST standards

Package Outline Dimension

Unit: mm Tolerance: +/-0.01



Absolute Maximum Ratings

(T_a 25 °C)

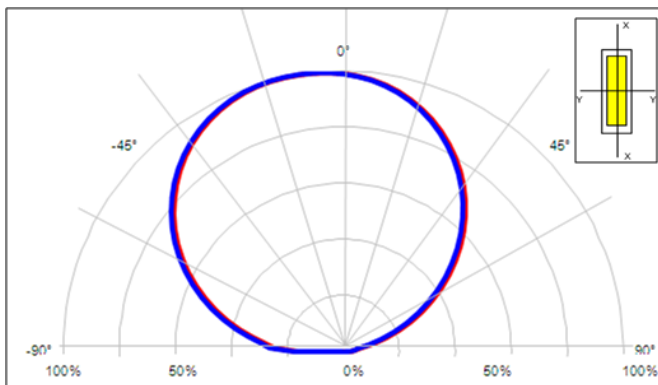
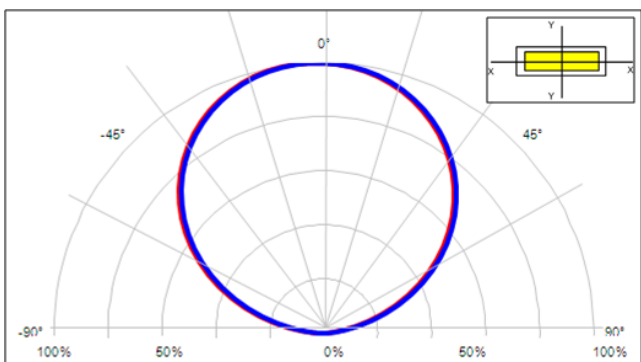
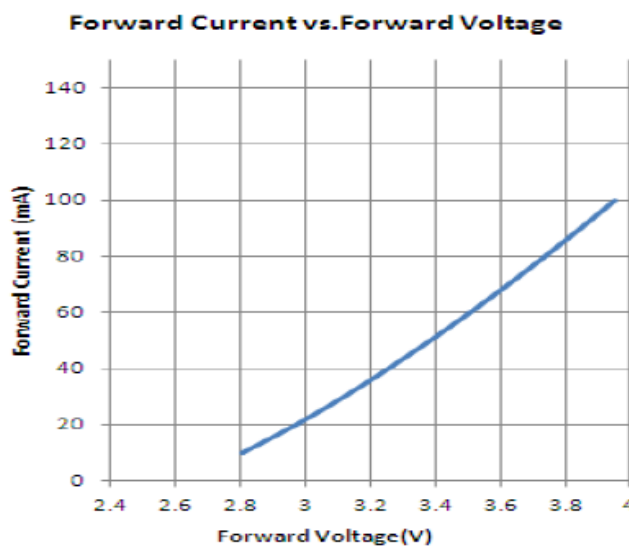
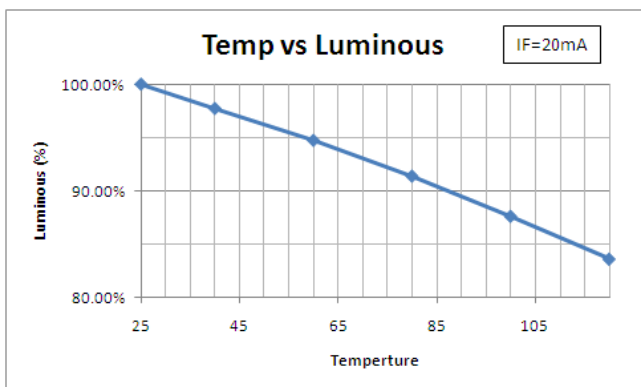
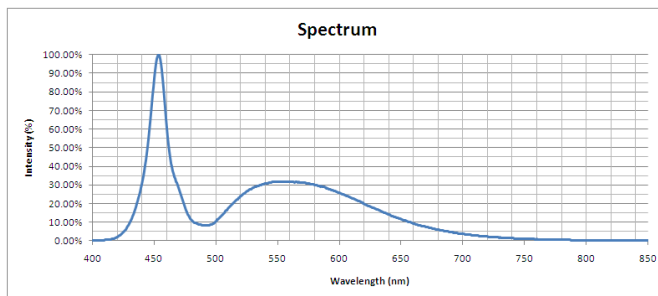
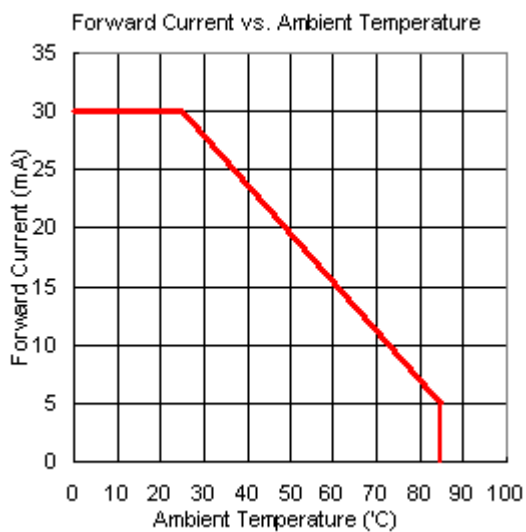
Series	P _d (mW)	I _F (mA)	I _{FP} (mA)	V _R (V)	T _{OP} (°C)	T _{ST} (°C)
HT-F107TW	105	30	100	5	-40~+85	-40~+100

* Condition for I_{FP} is pulse of 1/10 duty and 0.1msec width

**Remarks: This product should be operated in forward bias. If a reverse voltage is continuously applied to the product, such operation can cause migration resulting in LED damage.

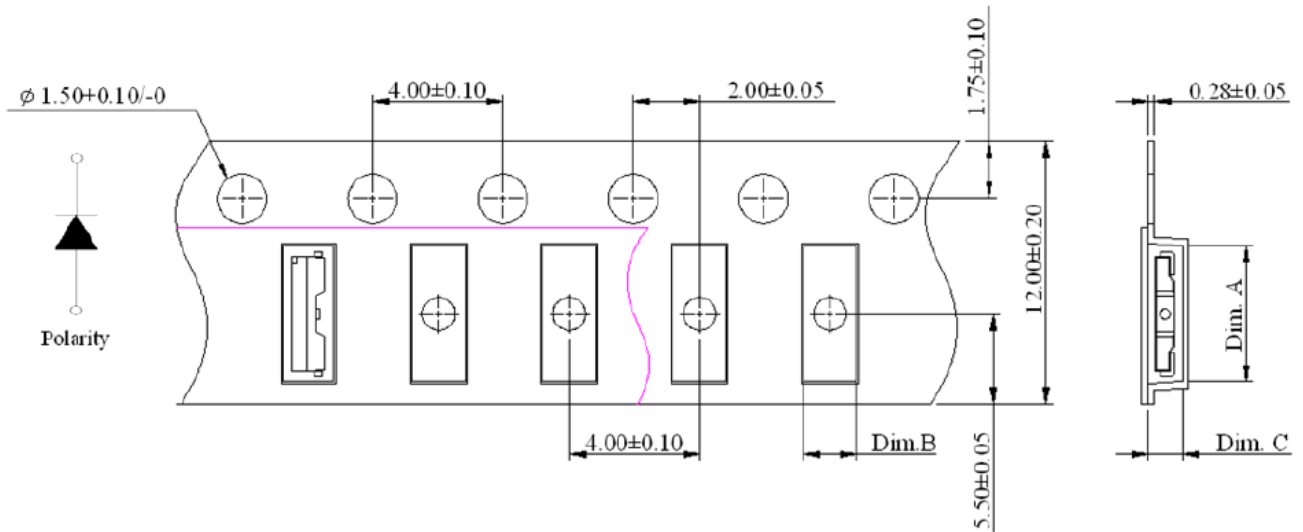
Official Product	HT-F107TW	Your Part No.		Data Sheet No.
		*****		HT-F107TW
Specifications are subject to changes for improvement without advance notice. Proprietary data, drawings, and company confidential all rights reserved.		Oct. 19, 2013	Version 1.0	Page 9/16

Characteristics Curves



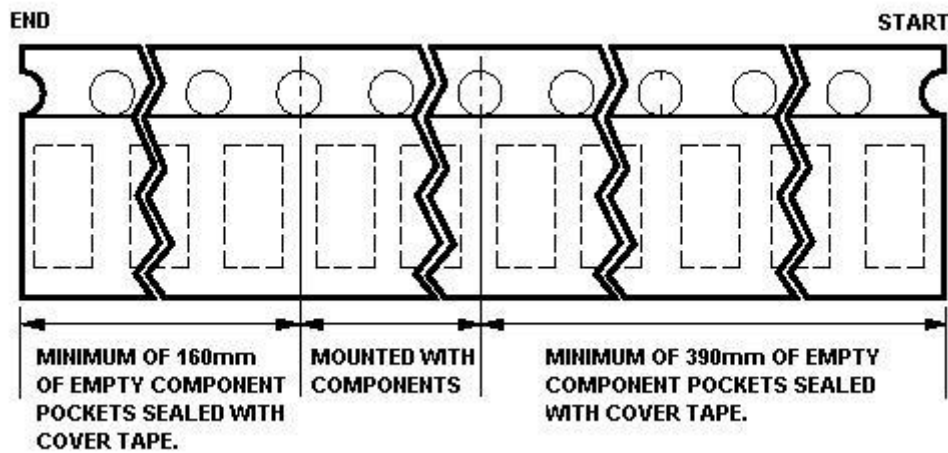
Official Product	HT-F107TW	Your Part No.	Data Sheet No.	
		*****	HT-F107TW	
Specifications are subject to changes for improvement without advance notice. Proprietary data, drawings, and company confidential all rights reserved.		Oct. 19, 2013	Version 1.0	Page 10/16

**Packaging Tape, Reel, and Packing Model
Tape Dimension**



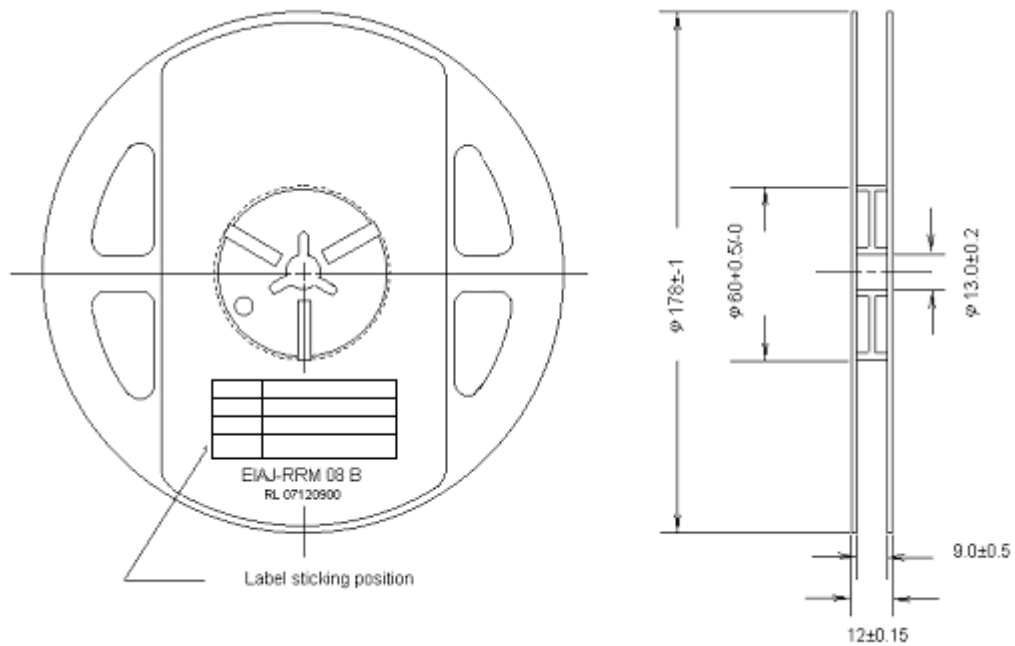
Part No.	Dim. A	Dim. B	Dim. C	Q'ty/Reel
HT-F107	1.35 ± 0.10	4.0 ± 0.10	0.72 ± 0.10	2K

Unit: mm

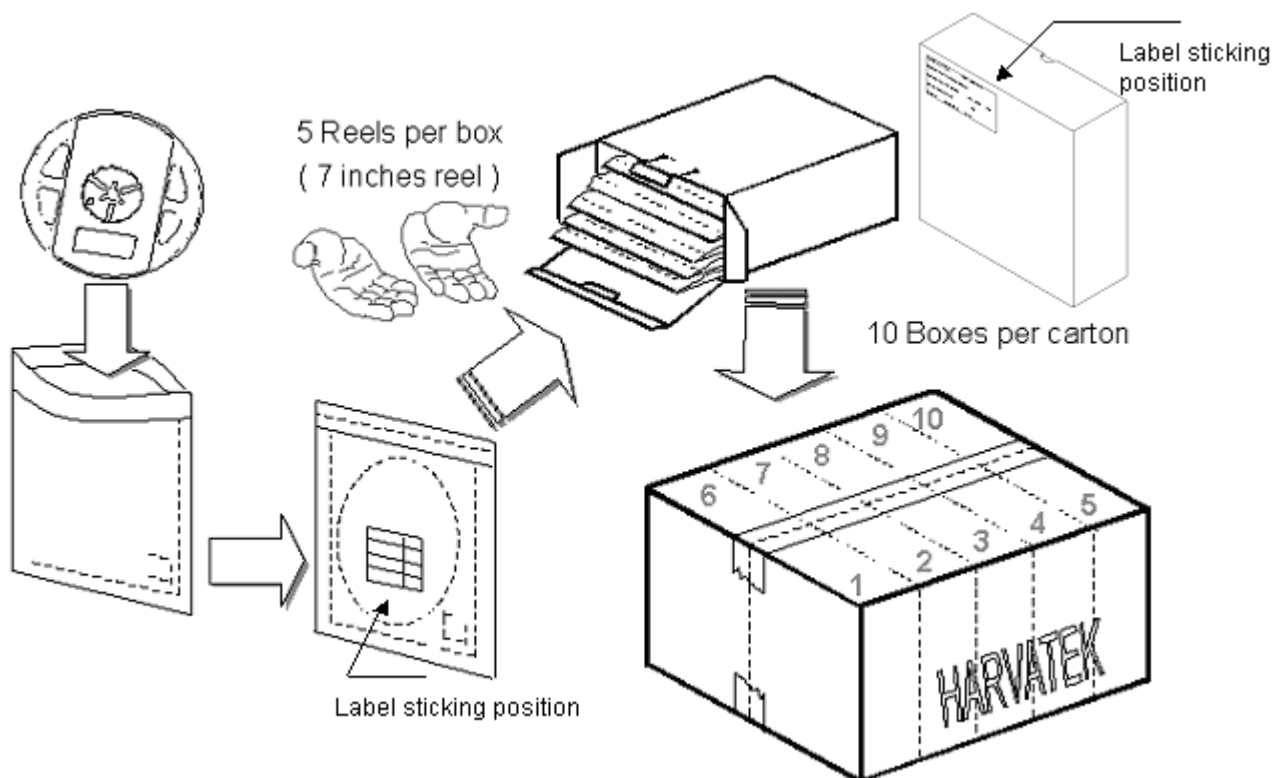


Official Product	HT-F107TW	Your Part No.		Data Sheet No.
		*****		HT-F107TW
Specifications are subject to changes for improvement without advance notice. Proprietary data, drawings, and company confidential all rights reserved.		Oct. 19, 2013	Version 1.0	Page 11/16

Reel Dimension



Packing Model



5 boxes per carton is available according to shipping quantity.

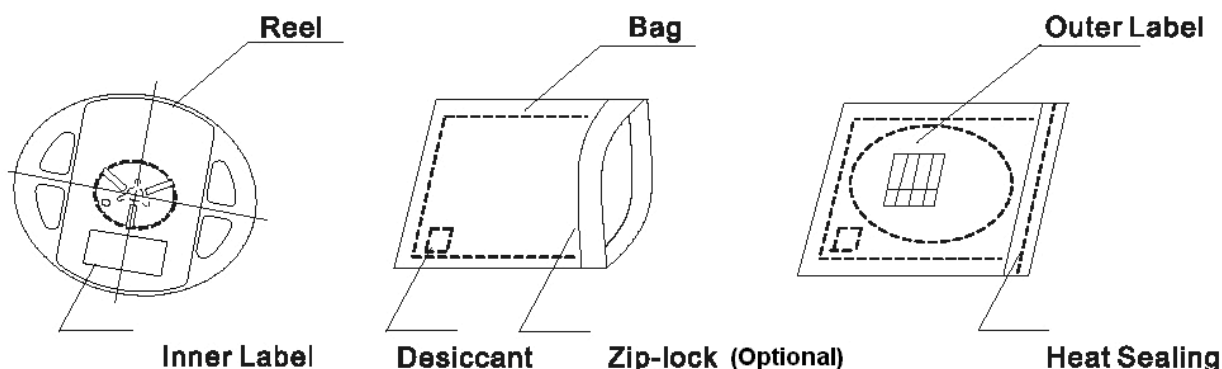
Official Product	HT-F107TW	Your Part No.	Data Sheet No.
		*****	HT-F107TW
Specifications are subject to changes for improvement without advance notice. Proprietary data, drawings, and company confidential all rights reserved.		Oct. 19, 2013	Version 1.0 Page 12/16

Dry Pack

Any SMD optical device, like this chip LED, is **MOISTURE SENSITIVE device**. Avoid absorbing moisture at any time during transportation or storage. Every reel will be packaged in the moisture barrier anti-static bag (Specific bag material will depend upon customers' requirement or option). And the bag is well sealed before shipment.

By customer's requirement, we will put a humidity indicator in each moisture barrier anti-static bag before shipment.

The package is the following:



Storage

It's recommended to store the products in the following conditions:

Humidity: 60 %RH Max.

Temperature: 5 °C ~30 °C (41°F~86 °F)

- 1 Shelf life in sealed bag: 12 month at 40°C and $90\% \text{RH}$. (Base on aluminum laminated moisture barrier bag.)
- 2 After the bag is opened, devices that will be subjected to infrared reflow, vapor-phase reflow, or equivalent processing must be:
 - 2.1 Mounted within 72 hours at factory conditions of $\leq 30^{\circ}\text{C} / 60\% \text{RH}$, or
 - 2.2 Stored at $\leq 20\% \text{RH}$ with zip-lock sealed.

Baking

It's recommended to bake before soldering when the pack is unsealed after 15 days. The conditions are as followings:

- a) $60 \pm 3^{\circ}\text{C} \times (12 \sim 24 \text{hrs})$ and $< 5\% \text{RH}$, taped reel type
- b) $100 \pm 3^{\circ}\text{C} \times (45 \text{min} \sim 1 \text{hr})$, bulk type
- c) $130 \pm 3^{\circ}\text{C} \times (15 \sim 30 \text{min})$, bulk type

Official Product	HT-F107TW	Your Part No.		Data Sheet No.
		*****		HT-F107TW
Specifications are subject to changes for improvement without advance notice. Proprietary data, drawings, and company confidential all rights reserved.		Oct. 19, 2013	Version 1.0	Page 13/16

Cautions of Pick and Place

It should be avoided to load stress on the resin during high temperature.

Avoid rubbing or scraping the resin by any object.

Electric-static may cause damage to the component. Please confirm that the equipment grounding well. Using an ionizer fan is recommended.

PRECAUTIONS

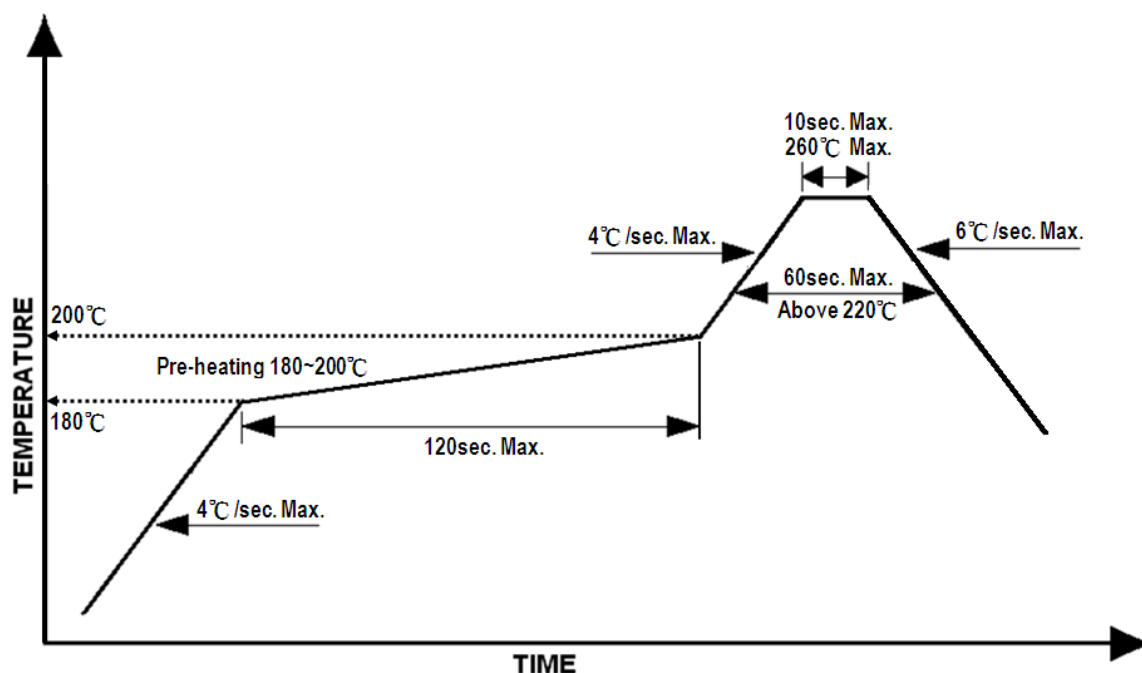
1. Avoid absorbing moisture at any time during transportation or storage.
2. Anti-Static process is needed especially when handling GaN, InGaN, and AlInGaP products.
3. It is suggested to connect the unit with a proper series current limit resistor. Avoid driving reverse voltage over the specification of LEDs when turning the unit ON/OFF.
4. Any application should refer to the specifications of absolute maximum ratings.
5. Avoid any direct contact with the viewing area.
6. If possible, assemble the unit in a clean room or dust-free environment.

Official Product	HT-F107TW	Your Part No.		Data Sheet No.
		*****		HT-F107TW
Specifications are subject to changes for improvement without advance notice. Proprietary data, drawings, and company confidential all rights reserved.		Oct. 19, 2013	Version 1.0	Page 14/16

Re-flow Soldering

- ◆ Recommend tin glue specifications:
Melting temperature: 178~192 °C
- ◆ Never take next process until the component is cooled down to room temperature after re-flow.
- ◆ The recommended re-flow soldering profile (measuring on the surface of the LED resin) is following:

Lead-free Solder



Rework

- ◆ Customer must finish rework within 5 sec. under 260 °C.
- ◆ The head of iron cannot touch copper foil.
- ◆ Twin-head type is preferred.

Cleaning

The conditions of cleaning after soldering:

An alcohol-based solvent such as isopropyl alcohol (IPA) is recommended.

Temperature x Time: <50 °C x 30sec, or <30 °C x 3min

Ultra sonic cleaning: < 15W/ bath; Bath volume: 1liter max.

Curing: 100 °C max, <3min

Do not contact with component on the assembly board.

Official Product	HT-F107TW	Your Part No.		Data Sheet No.
		*****		HT-F107TW
Specifications are subject to changes for improvement without advance notice. Proprietary data, drawings, and company confidential all rights reserved.		Oct. 19, 2013	Version 1.0	Page 15/16

Revision History

Changes since last revision	Page	Version No.	Revision Date
Initial Release F107TW		V1.0	10-19-2013

Official Product	HT-F107TW	Your Part No.	Data Sheet No.
		*****	HT-F107TW
Specifications are subject to changes for improvement without advance notice. Proprietary data, drawings, and company confidential all rights reserved.		Oct. 19, 2013	Version 1.0
			Page 16/16