



EVERLIGHT ELECTRONICS CO.,LTD.

Device Number : DDT-316-029 REV: 1.0

0.36" Tripple Digit Display

MODEL NO : ELT-316SRDB ECN : Page: 1/5

■ Features :

- Industrial standard size.
- Low power consumption.
- Categorized for luminous intensity.

■ Applications:

- Audio equipment
- Instrument panels
- Digital read out display

■ Descriptions :

- The ELT-316 series is a large 9.2mm (0.36")high seven segment display designed for viewing distances up to 7 meters.
- These displays provide excellent reliability in bright ambient light.
- These devices are made with red segments and black surface.

PART NO	Chip		C.C. or C.A.
	Material	Emitted Color	
ELT-316SRDB	GaAlAs	Super Red	C.A.

OFFICE : NO. 25,Lane 76,Sec.3, Chung Yang Rd., Tucheng 236, Taipei, Taiwan, R.O.C.

TEL : 886-2-2267-2000,2267-9936

FAX : 886-2-2267-6244,22676189,22676306

<http://www.everlight.com>

T00136

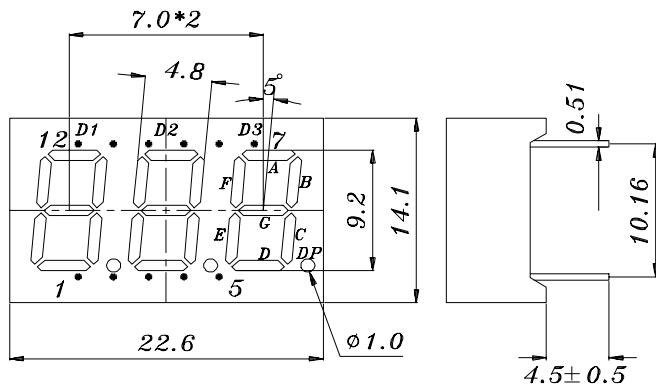


0.36" Tripple Digit Display

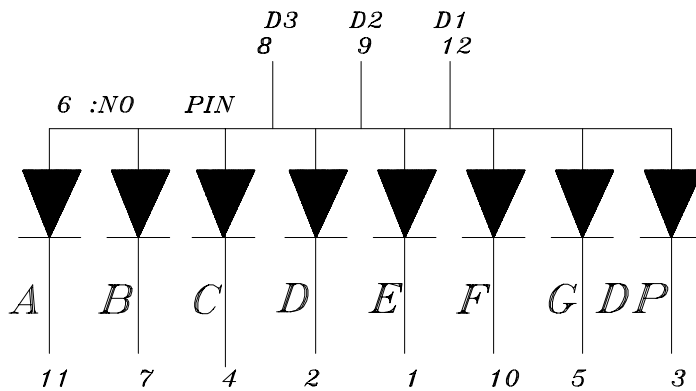
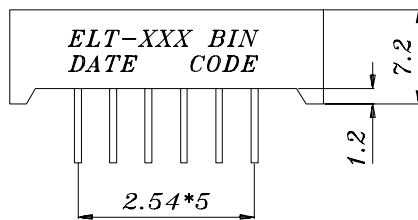
MODEL NO : ELT-316SRDB

ECN : Page: 2/5

■ Package Dimensions:



- COMMON ANODE
- 1. CATHODE E
 - 2. CATHODE D
 - 3. CATHODE DP
 - 4. CATHODE C
 - 5. CATHODE G
 - 6. NO PIN
 - 7. CATHODE B
 - 8. COMMON ANODE D3
 - 9. COMMON ANODE D2
 - 10. CATHODE F
 - 11. CATHODE A
 - 12. COMMON ANODE D1



■ Notes:

- 1. All dimensions are in millimeters , tolerance is 0.25mm unless otherwise noted.
 - 2. Above specification may be changed without notice.
- Supplier will reserve authority on material change for above specification.



0.36" Tripple Digit Display

■ Absolute maximum ratings at Ta = 25°C :

Parameter	Symbol	Rating	Unit
Reverse Voltage	Vr	5	V
Forward Current	If	40	mA
Operating Temperature	Topr	-40 to +85	°C
Storage Temperature	Tstg	-40 to +100	°C
Soldering Temperature	Tsol	260 ± 5	°C
Power Dissipation	Pd	110	mW
Peak Forward Current(Duty 1/10 @ 1KHZ)	If(Peak)	180	mA

■ Electronic optical characteristics :

Parameter		Symbol	MIN.	TYP.	MAX.	Unit	Condition
Luminous Intensity	Per segment	Iv	4.0	6.4	----	mcd	If=10mA
	Per decimal point		1.5	3.0	----		
Peak Wavelength		λp	----	660	----	nm	If=20mA
Dominant Wavelength		λd	----	643	----	nm	If=20mA
Spectrum Radiation Bandwidth		$\Delta \lambda$	----	20	----	nm	If=20mA
Forward Voltage		Vf	1.5	1.7	2.4	V	If=20mA
Reverse Current		Ir	----	----	10	μA	Vr=5V



EVERLIGHT ELECTRONICS CO.,LTD.

Device Number : DDT-316-029 REV: 1.0

0.36" Tripple Digit Display

MODEL NO : ELT-316SRDB ECN : Page: 4/5

■ Reliability test items and conditions:					
NO	Item	Test Conditions	Test Hours/Cycle	Sample Size	Ac/Re
1	Solder Heat	TEMP : 260°C ± 5 °C	5 SEC	76 PCS	0/1
2	Temperature Cycle	H : +85°C 30min ∫ 5 min L : -55°C 30min	50 CYCLE	76 PCS	0/1
3	Thermal Shock	H : +100°C 5min ∫ 10 sec L : -10°C 5min	50 CYCLE	76 PCS	0/1
4	High Temperature Storage	TEMP : 100°C	1000 HRS	76 PCS	0/1
5	Low Temperature Storage	TEMP : -55°C	1000 HRS	76 PCS	0/1
6	DC Operating Life	If = 10 mA	1000 HRS	76 PCS	0/1
7	High Temperature / High Humidity	85°C/85% RH	1000 HRS	76 PCS	0/1



0.36" Tripple Digit Display

