



EVERLIGHT ELECTRONICS CO.,LTD.

Device Number : DDS-406-015 REV: 1.0

4.0" Single Digit Displays

MODEL NO : ELS-4006SDRWA/S530-A2 ECN : _____ Page: 1/5

■ Features :

- Industrial standard size.
- Low power consumption.
- Categorized for luminous intensity.

■ Applications:

- Audio equipment
- Instrument panels
- Digital read out display

■ Description :

- The ELS-4006series is a large 101.2mm (4.0")high seven segment display design for viewing distances up to 7 meters.
- These displays provide excellent reliability in bright ambient light .
- These device is made with white segments and gray surface.

PART NO	CHIP		C.C. or C.A.
	Material	Emitted Color	
ELS-4006SDRWA/S530-A2	AlGaInP	Super Deep-Red	C.A.

DESIGNER	CHECKER	APPROVER

Office : NO 25,Lane 76,Chung Yang Rd,Sec.3
 Tucheng,Taipei 236,Taiwan,R.O.C.
 TEL : 886-2-2267-2000,2266-9936(22 Lines)
 FAX : 886-2-2267-6189

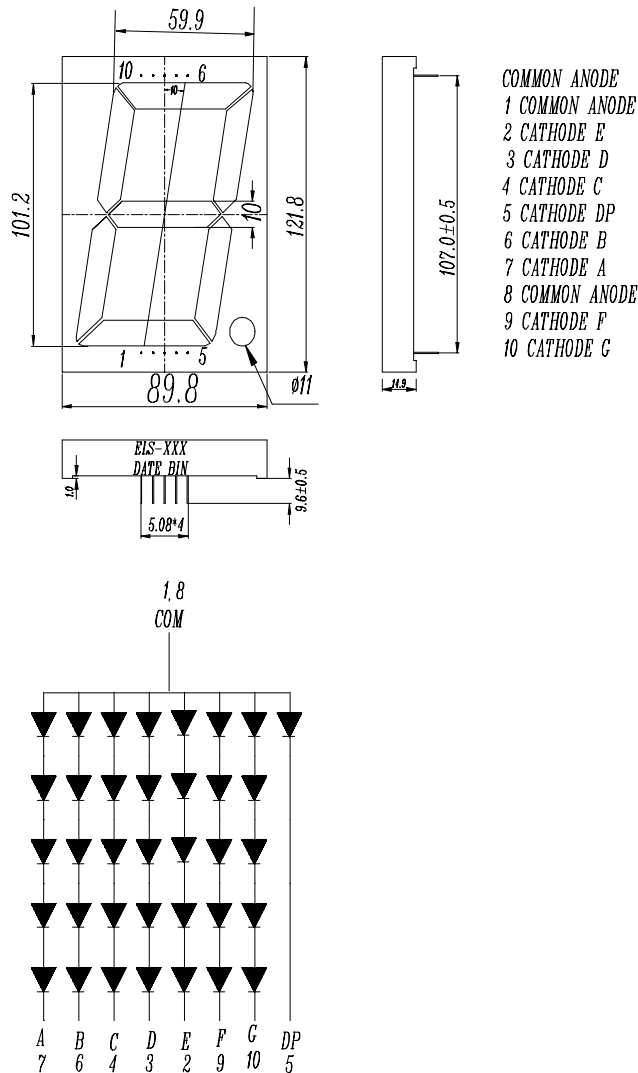


Device Number : DDS-406-015 REV: 1.0

4.0" Single Digit Displays

MODEL NO : ELS-4006SDRWA/S530-A2 ECN : _____ Page: 2/5

Package Dimension:



NOTES:

1. All dimensions are millimeters tolerance is 0.25mm unless otherwise noted.
2. Above specification may be changed without notice.
Supplier will reserve authority on material change for above specification.



EVERLIGHT ELECTRONICS CO.,LTD.

Device Number : DDS-406-015 REV: 1.0

4.0" Single Digit Displays

MODEL NO : ELS-4006SDRWA/S530-A2 ECN : _____ Page: 3/5

■ Absolute maximum ratings at Ta = 25°C :

Parameter	Symbol	Rating	Unit
Reverse Voltage	Vr	5	V
Forward Current	If	25	mA
Operating Temperature	Topr	-40 to +85	°C
Storage Temperature	Tstg	-40 to +100	°C
Soldering Temperature	Tsol	260 ± 5	°C
Electrostatic Discharge	ESD	2000	V
Power Dissipation	Pd	300	mW
Peak Forward Current(Duty 1/10 @ 1KHZ)	If(Peak)	160	mA

■ Electronic optical characteristics :

Parameter		Symbol	MIN.	TYP.	MAX.	Unit	Condition
Luminous Intensity	Per segment	Iv	1.4	3.3	----	mcd	If=2mA
	Per decimal point		11.00	22.0	----	mcd	If=10mA
			0.75	2.0	----	mcd	If=2mA
				5.60	12.50	----	mcd
Peak Wavelength		λ p	----	650	----	nm	If=20mA
Dominant Wavelength		λ d	----	639	----	nm	If=20mA
Spectrum Radiation Bandwidth		△ λ	----	20	----	nm	If=20mA
Forward Voltage	Per segment	Vf	----	10.0	12.0	V	If=20mA
	Per decimal point		----	2.0	2.4	V	If=20mA
Reverse Current		Ir	----	----	10	μ A	Vr=5V



EVERLIGHT ELECTRONICS CO.,LTD.

Device Number : DDS-406-015 REV: 1.0

4.0" Single Digit Displays

MODEL NO : ELS-4006SDRWA/S530-A2 ECN : _____ Page: 4/5

■ Reliability test item and condition:

NO	Item	Test Conditions	Test Hours/Cycle	Sample Size	Ac/Re
1	Solder Heat	TEMP : 260°C ± 5 °C	5 SEC	76 PCS	0/1
2	Temperature Cycle	H : +85°C 30min ∫ 5 min L : -55°C 30min	50 CYCLE	76 PCS	0/1
3	Thermal Shock	H : +100°C 5min ∫ 10 sec L : -10°C 5min	50 CYCLE	76 PCS	0/1
4	High Temperature Storage	TEMP : 100°C	1000 HRS	76 PCS	0/1
5	Low Temperature Storage	TEMP : -55°C	1000 HRS	76 PCS	0/1
6	DC Operating Life	If = 10 mA	1000 HRS	76 PCS	0/1
7	High Temperature / High Humidity	85°C/85% RH	1000 HRS	76 PCS	0/1



EVERLIGHT ELECTRONICS CO.,LTD.

Device Number :

DDS-406-015

REV:

1.0

4.0" Single Digit Displays

MODEL NO: ELS-4006SDRWA/S530-A2

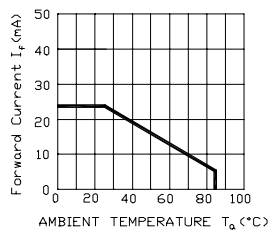
ECN :

Page:

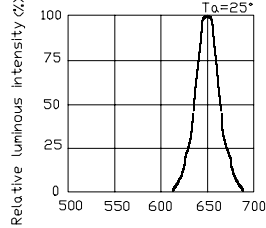
5/5

Typical Electro-Optical Characteristic Curves:

Forward Current Derating Curve



Spectrum Distribution



Per decimal point

Per segment

Forward Current vs. Forward Voltage

