



EVERLIGHT ELECTRONICS CO.,LTD.

Device Number : DDS-232-026 REV: 1.0

2.24" Single Digit Displays

MODEL NO : ELS-2326UBWA ECN : Page: 1/5

■ Features :

- Industrial standard size.
- Low power consumption.
- Categorized for luminous intensity.

■ Applications:

- Audio equipment
- Instrument panels
- Digital read out display

■ Descriptions :

- The ELS-2326 series is a large 57.0mm (2.24")high seven segment display designed for viewing distances up to 7 meters.
- These displays provide excellent reliability in bright ambient light.
- These devices are made with white segments and gray surface.

PART NO	Chip	
	Material	Emitted Color
ELS-2326UBWA	GaN/SiC	Blue

OFFICE : NO. 25,Lane 76,Sec.3, Chung Yang Rd., Tucheng 236, Taipei, Taiwan, R.O.C.

TEL : 886-2-2267-2000,2267-9936

B89051213

FAX : 886-2-2267-6244,22676189,22676306

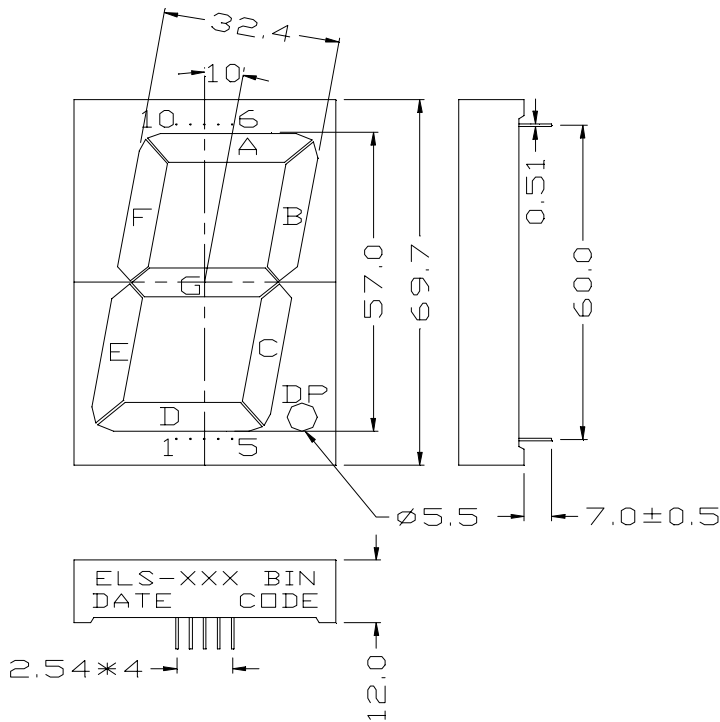
T00256

<http://www.everlight.com>

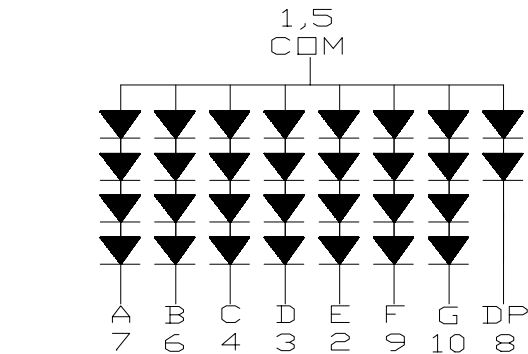


2.24" Single Digit Displays

Package Dimensions:



1	COMMON ANODE
2	COMMON ANODE
3	CATHODE E
4	CATHODE D
5	CATHODE C
6	COMMON ANODE
7	CATHODE B
8	CATHODE A
9	CATHODE DP
10	CATHODE F
10	CATHODE G



Notes:

- 1.All dimensions are in millimeters , tolerance is 0.25mm unless otherwise noted.
- 2.Above specification may be changed without notice.
Supplier will reserve authority on material change for above specification.



EVERLIGHT ELECTRONICS CO.,LTD.

Device Number : DDS-232-026 REV: 1.0

2.24" Single Digit Displays

MODEL NO : ELS-2326UBWA ECN : _____ Page: 3/5

■ Absolute maximum ratings at Ta = 25°C :

Parameter	Symbol	Rating	Unit
Reverse Voltage	VR	5	V
Forward Current	IF	30	mA
Operating Temperature	Topr	-40 to +85	°C
Storage Temperature	Tstg	-40 to +100	°C
Soldering Temperature	Tsol	260 ± 5	°C
Electro static Discharge	ESD	1000	V
Power Dissipation	Pd	560	mW
Peak Forward Current(Duty 1/10 @ 1KHZ)	IF(Peak)	70	mA

■ Electronic optical characteristics :

Parameter	Symbol	Min.	Typ.	Max.	Unit	Condition	
Peak Wavelength	λ_p	----	428	----	nm	IF=20mA	
Dominant Wavelength	λ_d	----	466	----	nm	IF=20mA	
Spectrum Radiation Bandwidth	$\Delta \lambda$	----	65	----	nm	IF=20mA	
Forward Voltage	Per segment	VF	----	15.2	18	V	IF=20mA
	Per decimal point	VF	----	7.6	9.0	V	IF=20mA
Reverse Current	IR	----	----	10	μA	VR=5V	



EVERLIGHT ELECTRONICS CO.,LTD.

Device Number : DDS-232-026 REV: 1.0

2.24" Single Digit Displays

MODEL NO : ELS-2326UBWA ECN : _____ Page: 4/5

Reliability test items and conditions:

NO	Item	Test Conditions	Test Hours/Cycle	Sample Size	Ac/Re
1	Solder Heat	TEMP : 260°C ± 5 °C	5 SEC	76 PCS	0/1
2	Temperature Cycle	H : +85°C 30min ∫ 5 min L : -55°C 30min	50 CYCLE	76 PCS	0/1
3	Thermal Shock	H : +100°C 5min ∫ 10 sec L : -10°C 5min	50 CYCLE	76 PCS	0/1
4	High Temperature Storage	TEMP : 100°C	1000 HRS	76 PCS	0/1
5	Low Temperature Storage	TEMP : -55°C	1000 HRS	76 PCS	0/1
6	DC Operating Life	IF = 10 mA	1000 HRS	76 PCS	0/1
7	High Temperature / High Humidity	85°C/85% RH	1000 HRS	76 PCS	0/1



EVERLIGHT ELECTRONICS CO.,LTD.

Device Number : DDS-232-026

REV: 1.0

2.24" Single Digit Displays

MODEL NO: ELS-2326UBWA

ECN :

Page: 5/5

■ Typical Electro-Optical Characteristic Curves:

