



Device Number : DDS-232-014 REV: 1.0

2.3" Single Digit Multi-Color Display

MODEL NO : ELS-2326EGWA ECN : _____ Page: 1/5

■ Features :

- Industrial standard size.
- Low power consumption.
- Categorized for luminous intensity.

■ Applications:

- Audio equipment
- Instrument panels
- Digital readout display

■ Description :

- The ELS-2326series is a large 56.8mm (2.3")high seven segment display design for viewing distances up to 7 meters.
- These displays provide excellent reliability in bright ambient light .
- These device is made with white segments and gray surface.

| PART NO | | CHIP | | C.C. or C.A. |
|--------------|---|-----------|---------------|--------------|
| | | Material | Emitted Color | |
| ELS-2326EGWA | E | GaAsP/GaP | Orange | C.A. |
| | G | GaP | Green | |

OFFICE : NO. 25,Lane 76,Sec.3, Chung Yang Rd., Tucheng 236, Taipei, Taiwan, R.O.C.

TEL : 886-2-2267-2000,2267-9936

FAX : 886-2-2267-6244,22676189,22676306

<http://www.everlight.com>



Device Number : DDS-232-014

REV: 1.0

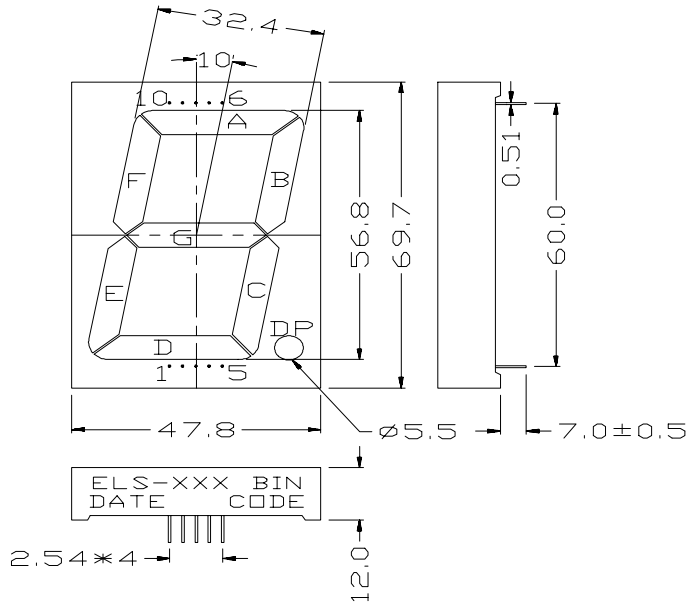
2.3" Single Digit Multi-Color Display

MODEL NO : ELS-2326EGWA

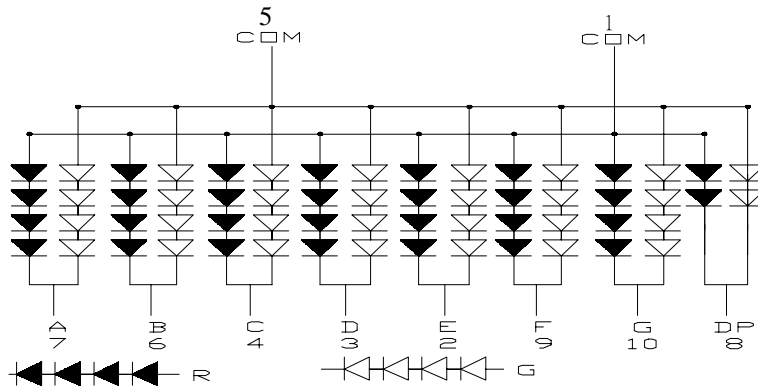
ECN : _____

Page: 2/5

Package Dimension:



- 1 COMMON ANODE (R)
- 2 CATHODE E
- 3 CATHODE D
- 4 CATHODE C
- 5 COMMON ANODE (G)
- 6 CATHODE B
- 7 CATHODE A
- 8 CATHODE DP
- 9 CATHODE F
- 10 CATHODE G



NOTES:

- 1.All dimensions are millimeters, tolerance is 0.25mm unless otherwise noted.
 - 2.Above specification may be changed without notice.
- Supplier will reserve authority on material change for above specification.

Device Number : DDS-232-014 REV: 1.0

2.3" Single Digit Multi-Color Display

MODEL NO : ELS-2326EGWA ECN : _____ Page: 3/5

■ Absolute maximum ratings at Ta = 25°C :

| Parameter | Symbol | Rating | Unit |
|--|----------|-------------|------|
| Reverse Voltage | Vr | 5 | V |
| Forward Current | If | 30 | mA |
| Operating Temperature | Topr | -40 to +85 | °C |
| Storage Temperature | Tstg | -40 to +100 | °C |
| Soldering Temperature | Tsol | 260 ± 5 | °C |
| Power Dissipation | Pd | 400 | mW |
| Peak Forward Current(Duty 1/10 @ 1KHZ) | If(Peak) | 160 | mA |

■ Electronic optical characteristics :

| Parameter | | Symbol | MIN. | TYP. | MAX. | Unit | Condition |
|------------------------------|-------------------|---------|------|------|------|------|-----------|
| Luminous Intensity | Per segment | Iv(E) | 5.6 | 8.7 | ---- | mcd | If=10mA |
| | | Iv(G) | 7.8 | 12.6 | ---- | | |
| | Per decimal point | Iv(E) | 1.4 | 2.0 | ---- | mcd | If=10mA |
| | | Iv(G) | 2.0 | 2.8 | ---- | | |
| Peak Wavelength | | λ p(E) | ---- | 635 | ---- | nm | If=20mA |
| | | λ p(G) | ---- | 565 | ---- | nm | If=20mA |
| Dominant Wavelength | | λ d(E) | ---- | 625 | ---- | nm | If=20mA |
| | | λ d(G) | ---- | 570 | ---- | nm | If=20mA |
| Spectrum Radiation Bandwidth | | Δ λ (E) | ---- | 45 | ---- | nm | If=20mA |
| | | Δ λ (G) | ---- | 30 | ---- | nm | If=20mA |
| Forward Voltage | | Vf(E) | 1.7 | 2.0 | 2.6 | V | If=20mA |
| | | Vf(G) | 1.7 | 2.1 | 2.4 | V | If=20mA |
| Reverse Current | | Ir | ---- | ---- | 10 | μA | Vr=5V |



EVERLIGHT ELECTRONICS CO.,LTD.

Device Number : DDS-232-014 REV: 1.0

2.3" Single Digit Multi-Color Display

MODEL NO : ELS-2326EGWA ECN : _____ Page: 4/5

■ Reliability test item and condition:

| NO | Item | Test Conditions | Test Hours/Cycle | Sample Size | Ac/Re |
|----|----------------------------------|---|------------------|-------------|-------|
| 1 | Solder Heat | TEMP : 260°C ± 5 °C | 5 SEC | 76 PCS | 0/1 |
| 2 | Temperature Cycle | H : +85°C 30min ∫ 5 min L : -55°C 30min | 50 CYCLE | 76 PCS | 0/1 |
| 3 | Thermal Shock | H : +100°C 5min ∫ 10 sec L : -10°C 5min | 50 CYCLE | 76 PCS | 0/1 |
| 4 | High Temperature Storage | TEMP : 100°C | 1000 HRS | 76 PCS | 0/1 |
| 5 | Low Temperature Storage | TEMP : -55°C | 1000 HRS | 76 PCS | 0/1 |
| 6 | DC Operating Life | If = 20 mA | 1000 HRS | 76 PCS | 0/1 |
| 7 | High Temperature / High Humidity | 85°C/85% RH | 1000 HRS | 76 PCS | 0/1 |



Device Number : DDS-232-014 REV: 1.0

2.3" Single Digit Multi-Color Display

MODEL NO: ELS-2326EGWA ECN: _____ Page: 5/5

Typical Electro-Optical Characteristic Curves:

E

