



EVERLIGHT ELECTRONICS CO.,LTD.

Device Number : DDD-526-047 REV: 1.0

0.54" Dual Digit Alphanumeric Displays

MODEL NO : ELD-526SDRWA/S530-A2 ECN : _____ Page: 1/5

■ Features :

- Industrial standard size.
- Low power consumption.
- Categorized for luminous intensity.

■ Applications:

- Audio equipment
- Instrument panels
- Digital read out display

■ Description :

- The ELD-525 series is a large 13.6mm (0.54")high seven segment display design for viewing distances up to 7 meters.
- These displays provide excellent reliability in bright ambient light.
- These device is made with white segments and gray surface.

| PART NO | CHIP | | C.C. or C.A. |
|----------------------|----------|----------------|--------------|
| | Material | Emitted Color | |
| ELD-526SDRWA/S530-A2 | AlGaInP | Super Deep-Red | C.A. |

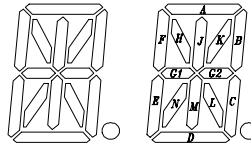
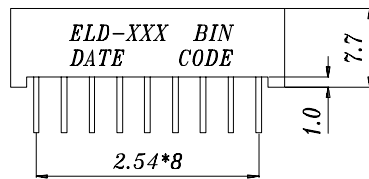
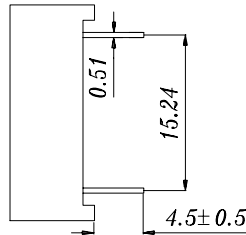
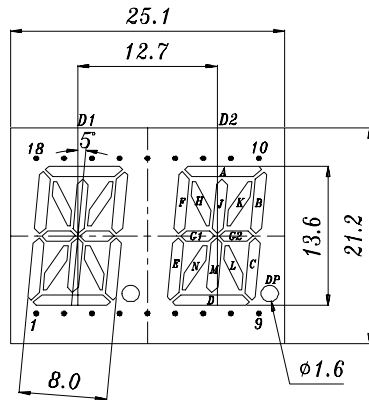
OFFICE : NO. 25,Lane 76,Sec.3, Chung Yang Rd., Tucheng 236, Taipei, Taiwan, R.O.C.
 TEL : 886-2-2267-2000,2267-9936
 FAX : 886-2-2267-6244,22676189,22676306
<http://www.everlight.com>



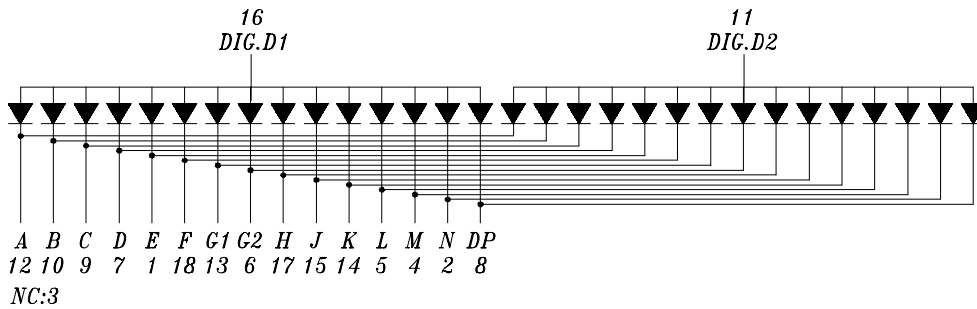
0.54" Dual Digit Alphanumeric Displays

MODEL NO : ELD-526SDRWA/S530-A2 ECN : _____ Page: 2/5

Package Dimension:



- COMMON ANODE
- 1 CATHODE E
- 2 CATHODE N
- 3 NO CONNECT
- 4 CATHODE M
- 5 CATHODE L
- 6 CATHODE G2
- 7 CATHODE D
- 8 CATHODE DP
- 9 CATHODE C
- 10 CATHODE B
- 11 COMMON ANODE DIG.2
- 12 CATHODE A
- 13 CATHODE G1
- 14 CATHODE K
- 15 CATHODE J
- 16 COMMON ANODE DIG.1
- 17 CATHODE H
- 18 CATHODE F



NOTES:

1. All dimensions are millimeters, tolerance is 0.25mm unless otherwise noted.
 2. Above specification may be changed without notice.
- Supplier will reserve authority on material change for above specification.



0.54" Dual Digit Alphanumeric Displays

■ Absolute maximum ratings at Ta = 25°C :

| Parameter | Symbol | Rating | Unit |
|--|----------|-------------|------|
| Reverse Voltage | Vr | 5 | V |
| Forward Current | If | 25 | mA |
| Operating Temperature | Topr | -40 to +85 | °C |
| Storage Temperature | Tstg | -40 to +100 | °C |
| Soldering Temperature | Tsol | 260 ± 5 | °C |
| Electrostatic Discharge | ESD | 2000 | V |
| Power Dissipation | Pd | 60 | mW |
| Peak Forward Current(Duty 1/10 @ 1KHZ) | If(Peak) | 160 | mA |

■ Electronic optical characteristics :

| Parameter | | Symbol | MIN. | TYP. | MAX. | Unit | Condition |
|------------------------------|-------------------|------------------|------|------|------|---------|-----------|
| Luminous Intensity | Per segment | Iv | 0.45 | 0.9 | ---- | mcd | If=2mA |
| | Per decimal point | | 3.6 | 6.3 | ---- | mcd | If=10mA |
| | | | 0.11 | 0.45 | ---- | mcd | If=2mA |
| | | | 0.75 | 2.80 | ---- | mcd | If=10mA |
| Peak Wavelength | | λp | ---- | 650 | ---- | nm | If=20mA |
| Dominant Wavelength | | λd | ---- | 639 | ---- | nm | If=20mA |
| Spectrum Radiation Bandwidth | | $\Delta \lambda$ | ---- | 20 | ---- | nm | If=20mA |
| Forward Voltage | | Vf | ---- | 2.0 | 2.4 | V | If=20mA |
| Reverse Current | | Ir | ---- | ---- | 10 | μA | Vr=5V |



EVERLIGHT ELECTRONICS CO.,LTD.

Device Number : DDD-526-047REV: 1.0

0.54" Dual Digit Alphanumeric Displays

MODEL NO : ELD-526SDRWA/S530-A2

ECN : _____

Page: 4/5**Reliability test item and condition:**

| NO | Item | Test Conditions | Test Hours/Cycle | Sample Size | Ac/Re |
|----|----------------------------------|---|------------------|-------------|-------|
| 1 | Solder Heat | TEMP : 260°C ± 5 °C | 5 SEC | 76 PCS | 0/1 |
| 2 | Temperature Cycle | H : +85°C 30min ∫ 5 min L : -55°C 30min | 50 CYCLE | 76 PCS | 0/1 |
| 3 | Thermal Shock | H : +100°C 5min ∫ 10 sec L : -10°C 5min | 50 CYCLE | 76 PCS | 0/1 |
| 4 | High Temperature Storage | TEMP : 100°C | 1000 HRS | 76 PCS | 0/1 |
| 5 | Low Temperature Storage | TEMP : -55°C | 1000 HRS | 76 PCS | 0/1 |
| 6 | DC Operating Life | If = 10 mA | 1000 HRS | 76 PCS | 0/1 |
| 7 | High Temperature / High Humidity | 85°C/85% RH | 1000 HRS | 76 PCS | 0/1 |



0.54" Dual Digit Alphanumeric Displays

