



EVERLIGHT ELECTRONICS CO.,LTD.

Device Number : DDD-306-022 REV: 1.0

0.3" Dual Digit Displays

MODEL NO : ELD-306SDRWA/S530-A2 ECN : _____ Page: 1/5

■ Features :

- Industrial standard size.
- Low power consumption.
- Categorized for luminous intensity.

■ Applications:

- Audio equipment
- Instrument panels
- Digital read out display

■ Description :

- The ELD-306 series is a large 7.62mm (0.3")high seven segment display design for viewing distances up to 7 meters.
- These displays provide excellent reliability in bright ambient light.
- These device is made with white segments and gray surface.

| PART NO | CHIP | | C.C. or C.A. |
|----------------------|----------|----------------|--------------|
| | Material | Emitted Color | |
| ELD-306SDRWA/S530-A2 | AlGaInP | Super Deep-Red | C.A. |

OFFICE : NO. 25,Lane 76,Sec.3, Chung Yang Rd., Tucheng 236, Taipei, Taiwan, R.O.C.

TEL : 886-2-2267-2000,2267-9936

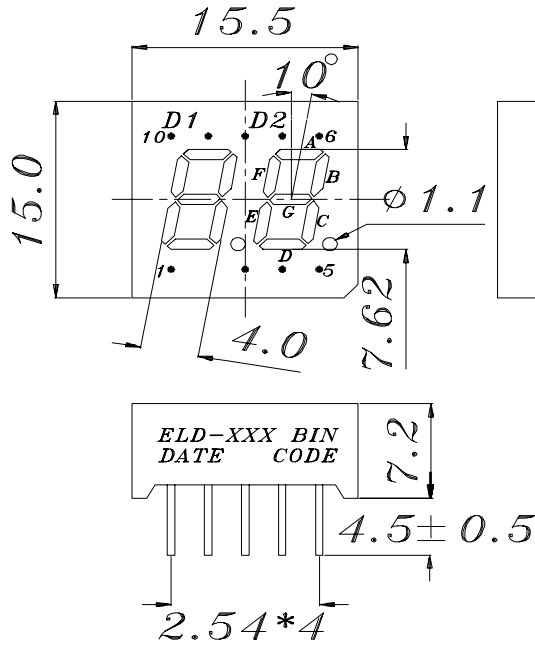
FAX : 886-2-2267-6244,22676189,22676306

<http://www.everlight.com>

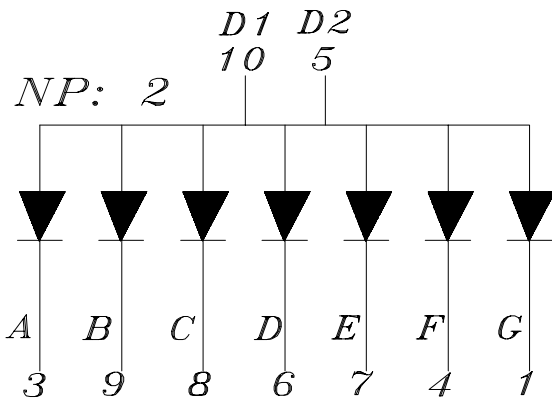


0.3" Dual Digit Displays

■ Package Dimension:



- COMMON ANODE*
- 1 CATHODE G
 - 2 NO PIN
 - 3 CATHODE A
 - 4 CATHODE F
 - 5 COMMON ANODE D2
 - 6 CATHODE D
 - 7 CATHODE E
 - 8 CATHODE C
 - 9 CATHODE B
 - 10 COMMON ANODE D1



■ NOTES:

1.All dimensions are millimeters , tolerance is 0.25mm unless otherwise noted.

2.Above specification may be changed without notice.

Supplier will reserve authority on material change for above specification.



0.3" Dual Digit Displays

■ Absolute maximum ratings at Ta = 25°C :

| Parameter | Symbol | Rating | Unit |
|--|----------|-------------|------|
| Reverse Voltage | Vr | 5 | V |
| Forward Current | If | 25 | mA |
| Operating Temperature | Topr | -40 to +85 | °C |
| Storage Temperature | Tstg | -40 to +100 | °C |
| Soldering Temperature | Tsol | 260 ± 5 | °C |
| Electrostatic Discharge | ESD | 2000 | V |
| Power Dissipation | Pd | 60 | mW |
| Peak Forward Current(Duty 1/10 @ 1KHZ) | If(Peak) | 160 | mA |

■ Electronic optical characteristics :

| Parameter | | Symbol | MIN. | TYP. | MAX. | Unit | Condition |
|------------------------------|-------------------|--------|------|------|------|------|-----------|
| Luminous | Per segment | Iv | 0.28 | 0.7 | ---- | mcd | If=2mA |
| | | | 2.0 | 4.9 | ---- | mcd | If=10mA |
| Intensity | Per decimal point | Iv | 0.07 | 0.28 | ---- | mcd | If=2mA |
| | | | 1.05 | 3.20 | ---- | mcd | If=10mA |
| Peak Wavelength | | λ p | ---- | 650 | ---- | nm | If=20mA |
| Dominant Wavelength | | λ d | ---- | 639 | ---- | nm | If=20mA |
| Spectrum Radiation Bandwidth | | Δ λ | ---- | 20 | ---- | nm | If=20mA |
| Forward Voltage | | Vf | ---- | 2.0 | 2.4 | V | If=20mA |
| Reverse Current | | Ir | ---- | ---- | 10 | μ A | Vr=5V |



EVERLIGHT ELECTRONICS CO.,LTD.

Device Number : DDD-306-022 REV: 1.0

0.3" Dual Digit Displays

MODEL NO : ELD-306SDRWA/S530-A2 ECN : _____ Page: 4/5

| ■ Reliability test item and condition: | | | | | |
|--|----------------------------------|---|------------------|-------------|-------|
| NO | Item | Test Conditions | Test Hours/Cycle | Sample Size | Ac/Re |
| 1 | Solder Heat | TEMP : 260°C ± 5 °C | 5 SEC | 76 PCS | 0/1 |
| 2 | Temperature Cycle | H : +85°C 30min ∫ 5 min L : -55°C 30min | 50 CYCLE | 76 PCS | 0/1 |
| 3 | Thermal Shock | H : +100°C 5min ∫ 10 sec L : -10°C 5min | 50 CYCLE | 76 PCS | 0/1 |
| 4 | High Temperature Storage | TEMP : 100°C | 1000 HRS | 76 PCS | 0/1 |
| 5 | Low Temperature Storage | TEMP : -55°C | 1000 HRS | 76 PCS | 0/1 |
| 6 | DC Operating Life | If = 10 mA | 1000 HRS | 76 PCS | 0/1 |
| 7 | High Temperature / High Humidity | 85°C/85% RH | 1000 HRS | 76 PCS | 0/1 |



0.3" Dual Digit Displays

■ Typical Electro-Optical Characteristic Curves:

