

## Technical Data Sheet

### Power Top View LED

#### 67-31A/RAC-AU2V2B9Z5/2T/AM

#### Features

- Pb-free.
- Inner reflector.
- White package.
- Optical indicator.
- P-LCC-3 package.
- Wide viewing angle.
- Colorless clear resin.
- Precondition : Base on JEDEC Level-2.
- ESD : Up to 2KV. (Base JESD22-A114-B)
- The product itself will remain within RoHS compliant version.
- Suitable for vapor-phase reflow, infrared reflow and wave solder processes.



#### Descriptions

- The 67-31A series is available for orange, green, blue and yellow or other color due to the different raw material.
- Base on the package design, the device result in wide view angle.

#### Applications

- Automotive backlighting or indicator : Dashboard, switch, audio and video equipments...etc.
- Backlight : LCD, switches, symbol, mobile phone and illuminated advertising.
- Display for indoor and outdoor application
- Ideal for coupling into light guides.
- Substitution of traditional light
- Optical indicator
- General applications.

#### Device Selection Guide

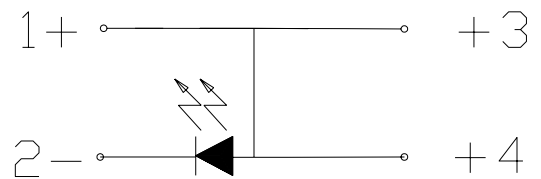
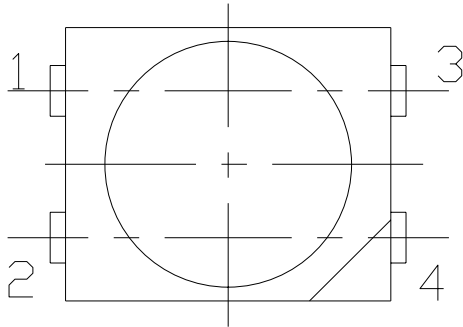
Chip	Emitted Color	Resin Color
Material		
AlGaInP	Dark Red	Water Clear

Technical Data Sheet

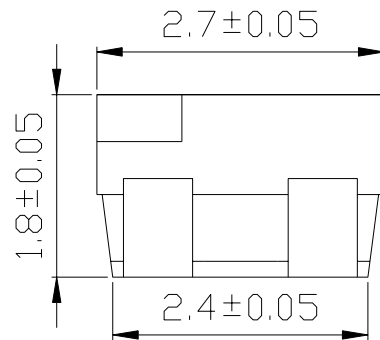
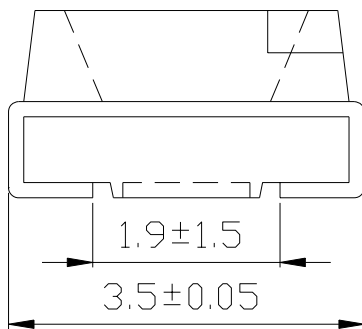
Power Top View LED

67-31A/RAC-AU2V2B9Z5/2T/AM

Package Dimensions



Polarity



Note : Tolerances unless dimension  $\pm 0.1$ mm. Unit = mm

**Technical Data Sheet****Power Top View LED****67-31A/RAC-AU2V2B9Z5/2T/AM****Absolute Maximum Ratings (Ta=25°C)**

Parameter	Symbol	Rating	Unit
Reverse Voltage	V <sub>R</sub>	12	V
Forward Current	I <sub>F</sub>	70	mA
Peak Forward Current (Duty 1/10 @1KHz)	I <sub>FP</sub>	200	mA
Power Dissipation	P <sub>d</sub>	180	mW
Junction Temperature	T <sub>j</sub>	115	°C
Operating Temperature	T <sub>opr</sub>	-40 ~ +100	°C
Storage Temperature	T <sub>stg</sub>	-40 ~ +110	°C
Thermal resistance	R <sub>th J-A</sub>	500	K/W
	R <sub>th J-S</sub>	300	K/W
Soldering Temperature	T <sub>sol</sub>	Reflow Soldering : 260 °C for 10 sec. Hand Soldering : 350 °C for 3 sec.	

Technical Data Sheet

Power Top View LED

**67-31A/RAC-AU2V2B9Z5/2T/AM**

Electro-Optical Characteristics (Ta=25°C)

Parameter	Symbol	Min.	Typ.	Max.	Unit	Condition
Luminous Intensity	I <sub>v</sub>	565	-----	1120	mcd	I <sub>F</sub> =50mA
Viewing Angle	2θ 1/2	-----	120	-----	deg	I <sub>F</sub> =50mA
Peak Wavelength	λ <sub>p</sub>	-----	639	-----	nm	I <sub>F</sub> =50mA
Dominant Wavelength	λ <sub>d</sub>	625.5	-----	637.5	nm	I <sub>F</sub> =50mA
Spectrum Radiation Bandwidth	Δλ	-----	20	-----	nm	I <sub>F</sub> =50mA
Forward Voltage	V <sub>F</sub>	2.15	-----	2.75	V	I <sub>F</sub> =50mA
Reverse Current	I <sub>R</sub>	-----	-----	10	μ A	V <sub>R</sub> =12V
Temperature coefficient of λ <sub>p</sub>	TC <sub>λ<sub>p</sub></sub>	-----	0.15	-----	nm/K	I <sub>F</sub> =50mA
Temperature coefficient of λ <sub>d</sub>	TC <sub>λ<sub>d</sub></sub>	-----	0.05	-----	nm/K	I <sub>F</sub> =50mA
Temperature coefficient of V <sub>F</sub>	TC <sub>V</sub>	-----	-3.2	-----	mV/K	I <sub>F</sub> =50mA

Notes :

1. Tolerance of Luminous Intensity : ±11%
2. Tolerance of Dominant Wavelength : ±1nm
3. Tolerance of Forward Voltage : ±0.1V

**Technical Data Sheet****Power Top View LED****67-31A/RAC-AU2V2B9Z5/2T/AM****Bin Range of Luminous Intensity**

Bin	Min	Max	Unit	Condition
U2	565	715	mcd	I <sub>F</sub> =50mA
V1	715	900		
V2	900	1120		

**Bin Range of Dominant Wavelengths**

Bin Code	Min.	Max.	Unit	Condition
E6	625.5	629.5	nm	I <sub>F</sub> =50mA
E7	629.5	633.5		
E8	633.5	637.5		

**Bin Range of Forward Voltage**

Group	Bin	Min	Max	Unit	Condition
B9	2	2.15	2.35	V	I <sub>F</sub> =50mA
	3	2.35	2.55		
	4	2.55	2.75		

Notes :

1. Tolerance of Luminous Intensity :  $\pm 11\%$
2. Tolerance of Dominant Wavelength :  $\pm 1\text{nm}$
3. Tolerance of Forward Voltage :  $\pm 0.1\text{V}$

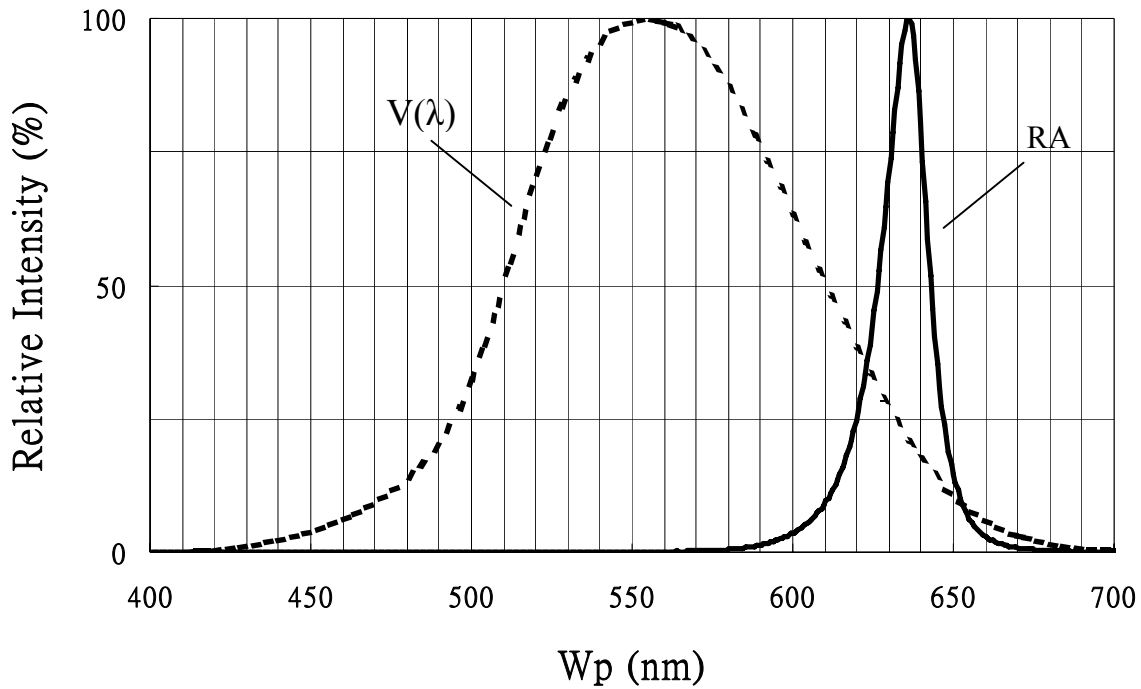
Technical Data Sheet

Power Top View LED

**67-31A/RAC-AU2V2B9Z5/2T/AM**

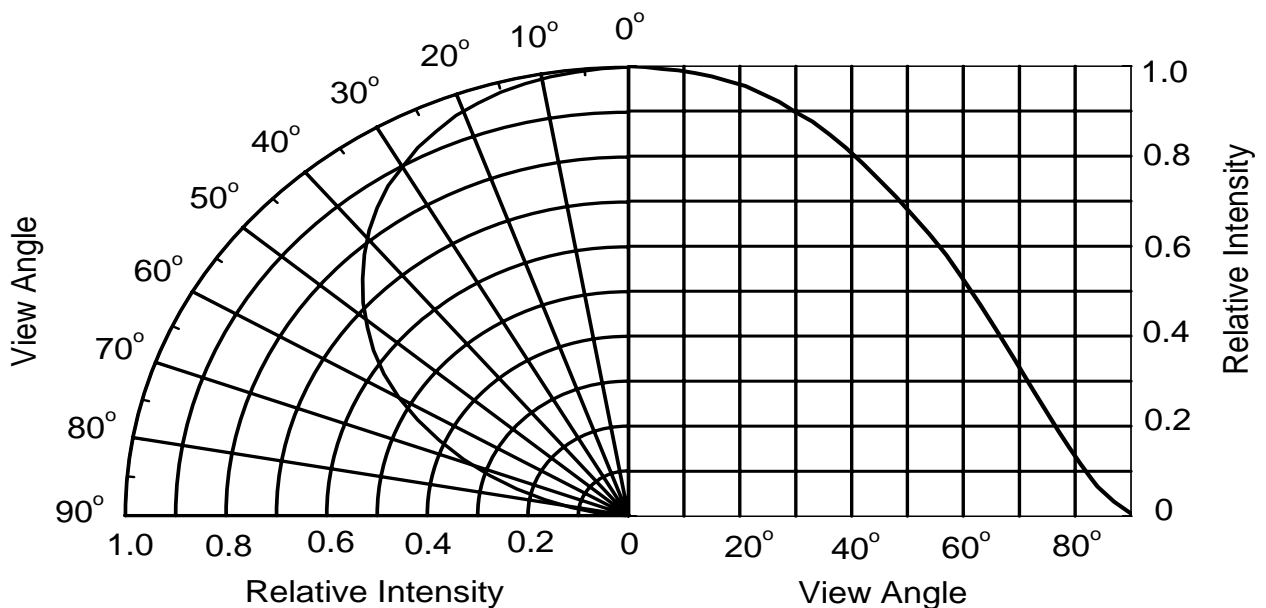
Typical Electro-Optical Characteristics Curves

Typical curve of spectral distribution :



Note :  $V(\lambda)$ =Standard eye response curve;  $I_F=50mA$

Diagram characteristics of radiation

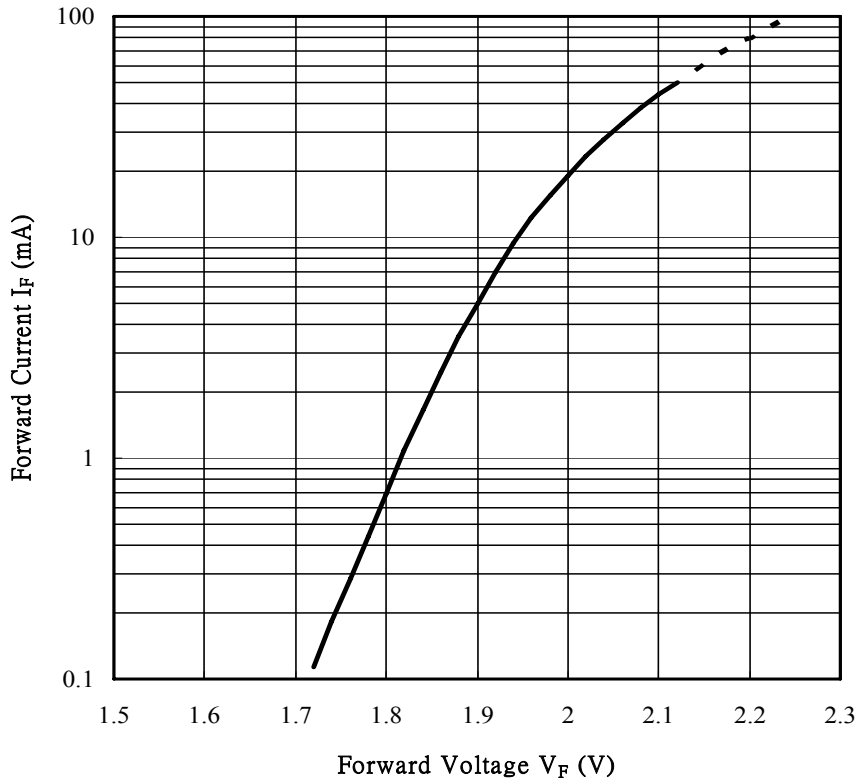


Technical Data Sheet

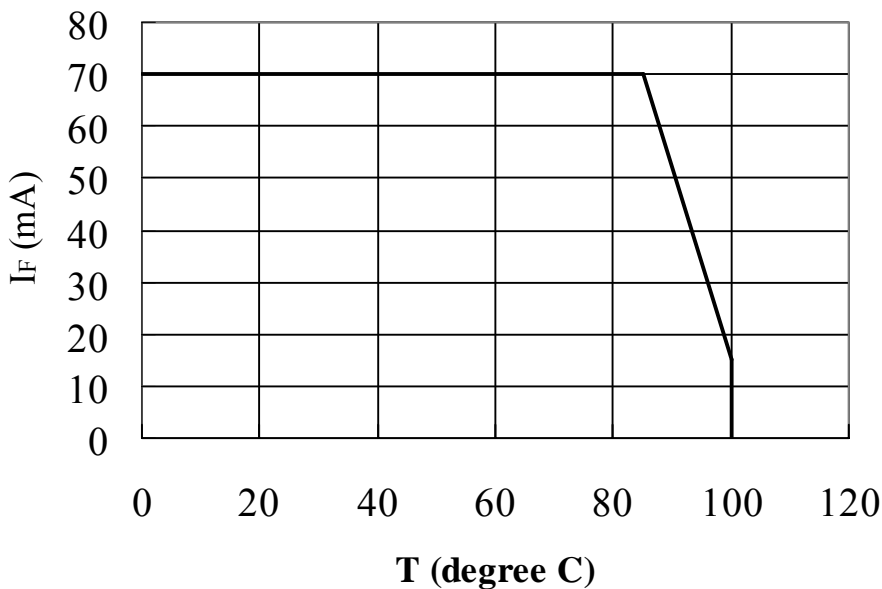
Power Top View LED

67-31A/RAC-AU2V2B9Z5/2T/AM

Forward Current vs. Forward Voltage (Ta=25°C)



Forward current vs. Ambient Temp.

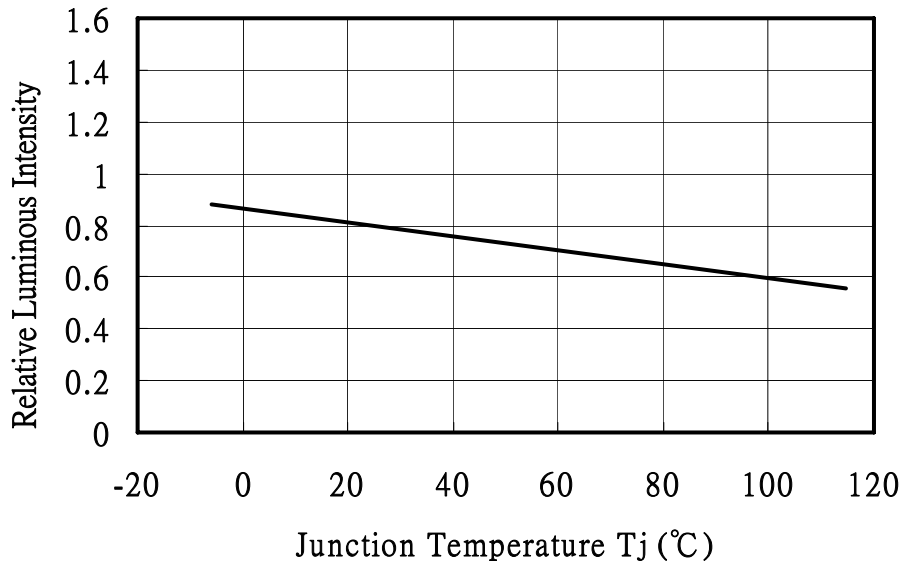


## Technical Data Sheet

### Power Top View LED

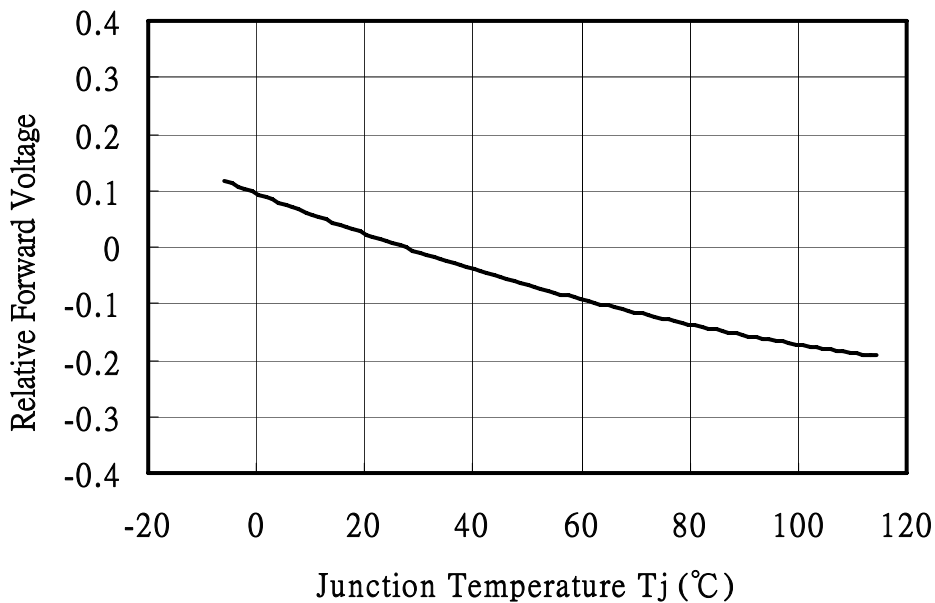
#### 67-31A/RAC-AU2V2B9Z5/2T/AM

#### Relative Luminous Intensity vs. Junction Temperature



Note :  $f(T_j) = I_v / I_v(25^\circ\text{C}) ; I_F=50\text{mA}$

#### Relative Forward Voltage vs. Junction Temperature



Note :  $\Delta V_F = V_F - V_F(25^\circ\text{C}) = f(T_j) ; I_F=50\text{mA}$



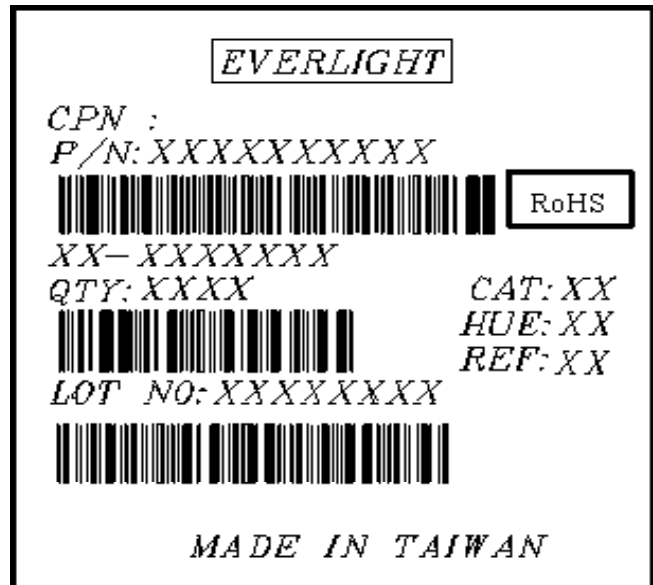
Technical Data Sheet

Power Top View LED

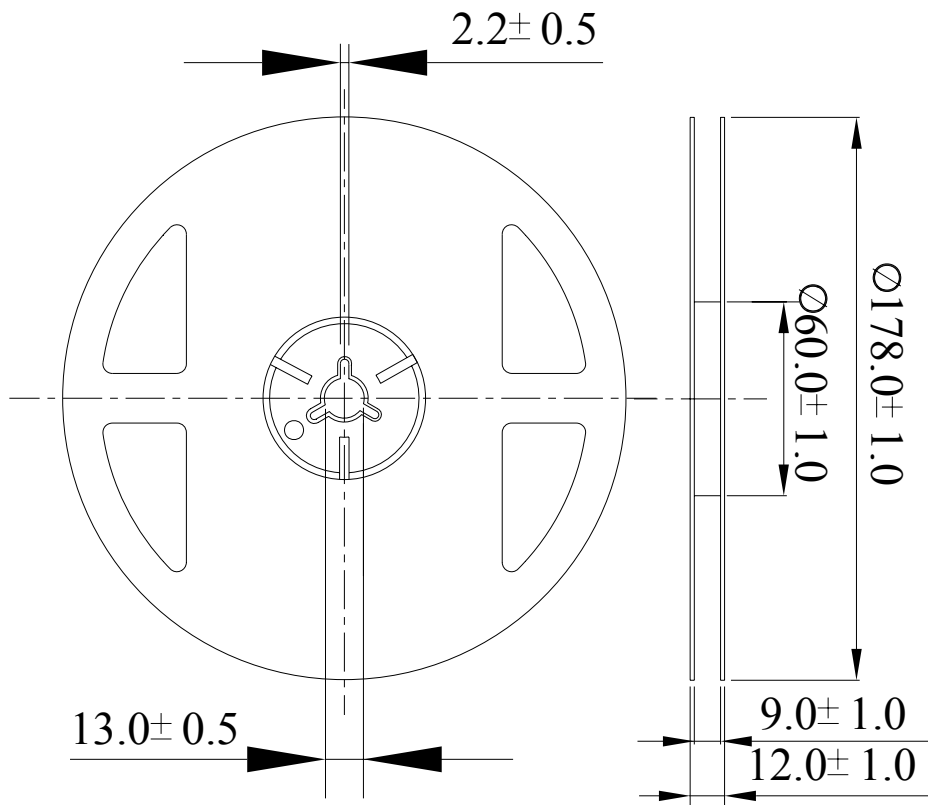
**67-31A/RAC-AU2V2B9Z5/2T/AM**

Label explanation

- CPN : Customer's Product Number
- P/N : Product Number
- QTY : Packing Quantity
- CAT : Luminous Intensity Rank
- HUE : Dom. Wavelength Rank
- REF : Forward Voltage Rank
- LOT No : Lot Number



Reel Dimensions



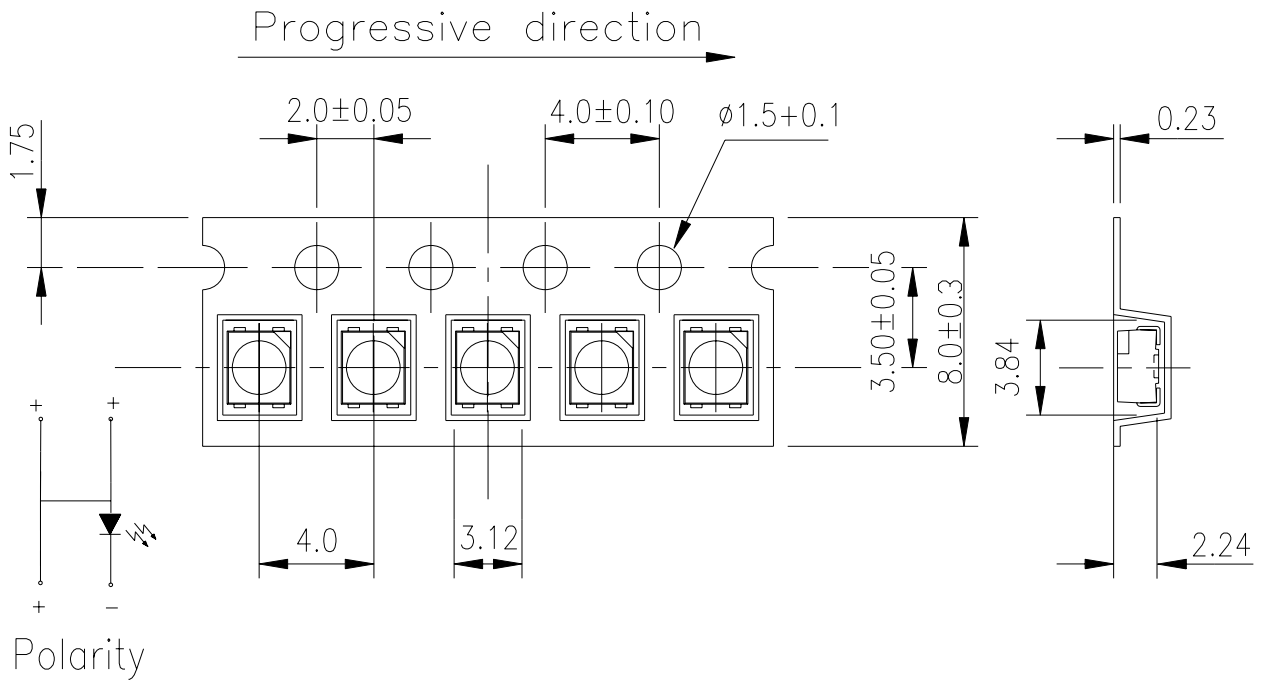
Note : Unit = mm

Technical Data Sheet

Power Top View LED

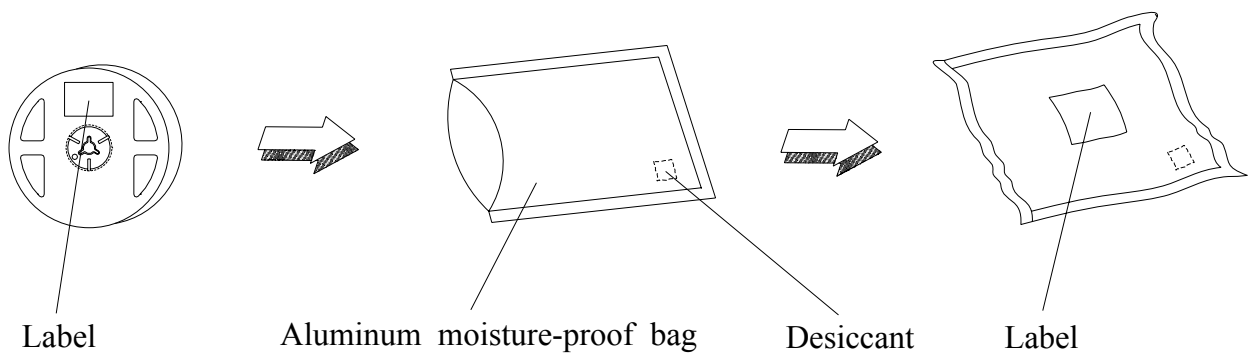
**67-31A/RAC-AU2V2B9Z5/2T/AM**

Carrier Tape Dimensions: Loaded quantity 2000 PCS per reel



Note : Tolerances unless dimension  $\pm 0.1$ mm. Unit = mm

Moisture Resistant Packaging Process and Materials



## Technical Data Sheet

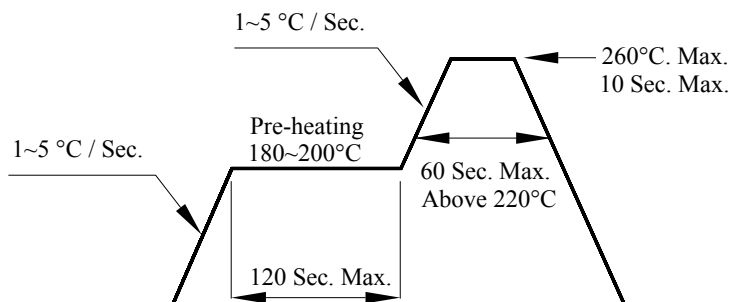
### Power Top View LED

#### 67-31A/RAC-AU2V2B9Z5/2T/AM

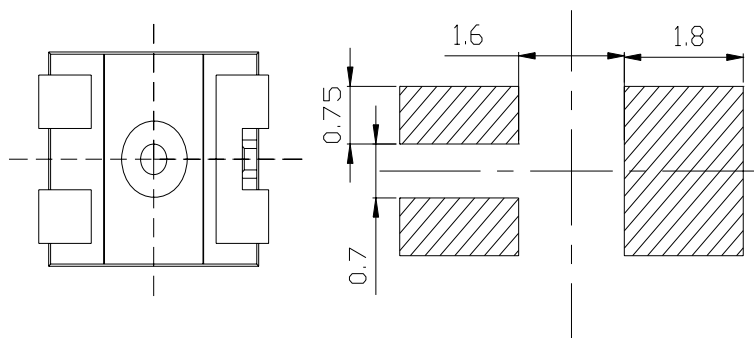
#### Precautions for Use

##### 1. Soldering Condition

##### 1.1 (A) Pb-free solder temperature profile



##### (B) Recommend soldering pad



Note : Tolerances unless dimension  $\pm 0.1$ mm. Unit = mm

1.2 Reflow soldering should not be done more than two times.

1.3 When soldering, do not put stress on the LED during heating.

1.4 After soldering, do not warp the circuit board.

##### 2. Over-current-proof

Customer must apply resistors for protection, otherwise slight voltage shift will cause big current change ( Burn out will happen ).

##### 3. Storage

3.1 Do not open moisture proof bag before the products are ready to use.

3.2 Before opening the package: The LED should be kept at 30°C or less and 90%RH or less.

## Technical Data Sheet

### Power Top View LED

---

#### **67-31A/RAC-AU2V2B9Z5/2T/AM**

3.3 After opening the package: The LED floor life is 1 year under 30°C or less and 60% RH or less. If unused LED remain, it should be stored in moisture proof packages.

3.4 If the moisture absorbent material (silica gel) has faded away or the LED have exceeded the storage time, baking treatment should be performed using the following conditions.

Baking treatment : 60±5°C for 24 hours.

#### 4.Soldering Iron

Each terminal is to go to the tip of soldering iron temperature less than 350°C for 3 seconds within once in less than the soldering iron capacity 25W. Leave two seconds and more intervals, and do soldering of each terminal. Be careful because the damage of the product is often started at the time of the hand solder.