





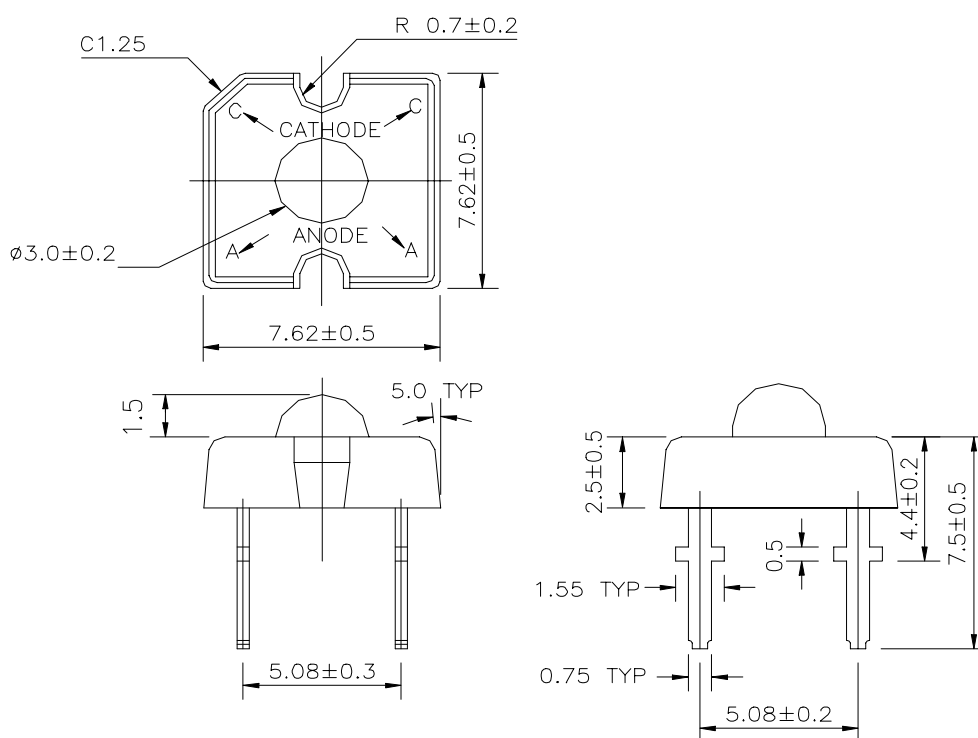
# EVERLIGHT ELECTRONICS CO.,LTD.

Device Number : DLE-300-008 REV: 1.3  
MODEL NO : 30-01USRC ECN :          Page: 2/4

## ■ Absolute Maximum Ratings at $T_A = 25^\circ\text{C}$

Parameter	Symbol	Rating	Unit
Forward Current	If	70	mA
Operating Temperature	Topr	-40 to +85	$^\circ\text{C}$
Storage Temperature	Topr	-40 to +100	$^\circ\text{C}$
Soldering Temperature	Tsol	$260 \pm 5$	$^\circ\text{C}$
Power Dissipation	Pd	120	mW
Peak Forward Current(Duty 1/10 @ 1KHZ)	If(Peak)	200	mA
Reverse Voltage	Vr	5	V

## ■ Package Dimension:



## NOTES :

- 1.All dimensions are millimeter.(inch)
- 2.An epoxy meniscus may extend about 1.5mm(0.059") down the lead.



# EVERLIGHT ELECTRONICS CO.,LTD.

Device Number : DLE-300-008 REV: 1.3  
 MODEL NO : 30-01USRC ECN : \_\_\_\_\_ Page: 3/4

## ■ Electro-Optical Characteristics :

Parameter	Symbol	MIN.	TYP.	MAX.	Condition	Unit
Total Flux	$\Phi_v$	500	1310	----	If=70mA	mlm
Viewing Angle	$2\theta_{1/2}$	----	70	----	If=20mA	deg
Peak Wavelength	$\lambda_p$	----	639	----	If=20mA	nm
Dominant Wavelength	$\lambda_d$	----	631	----	If=20mA	nm
Spectrum Radiation Bandwidth	$\Delta\lambda$	----	20	----	If=20mA	nm
Forward Voltage	Vf	1.71	2.30	2.91	If=70mA	V
Reverse Current	Ir	----	----	10	Vr=5V	$\mu A$
Recommended Operating Current	If (Rec)	20	----	70		mA
DC Forward Current	If (mA)	----	----	70		mA

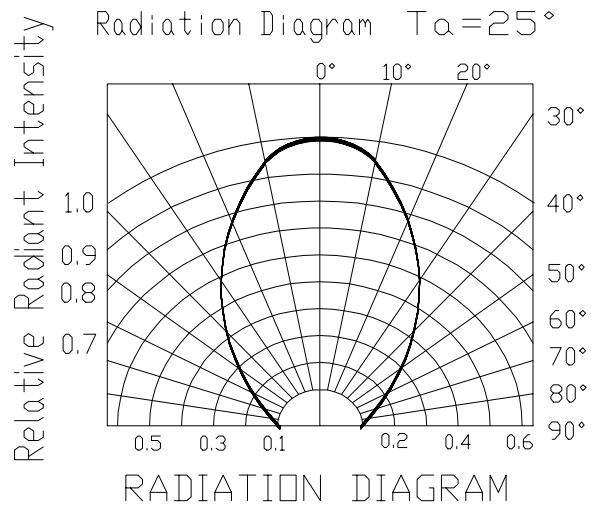
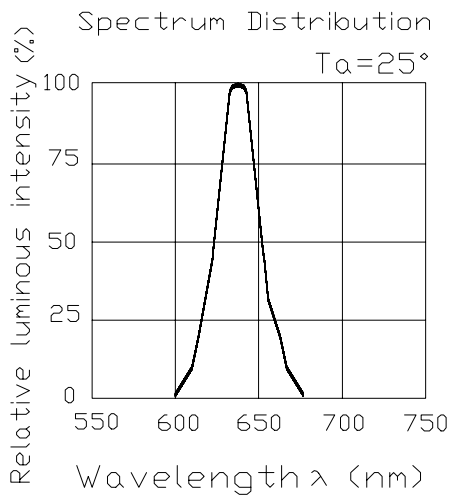
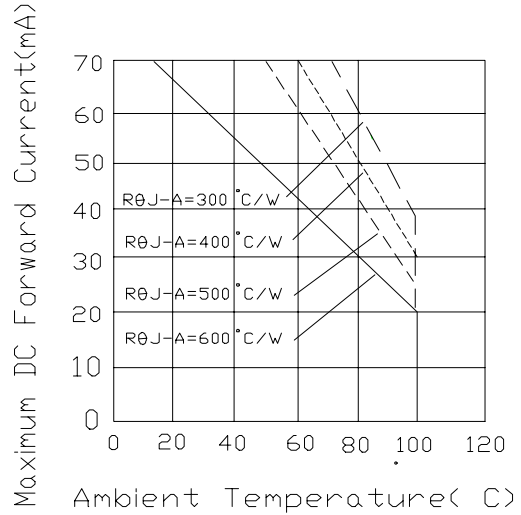
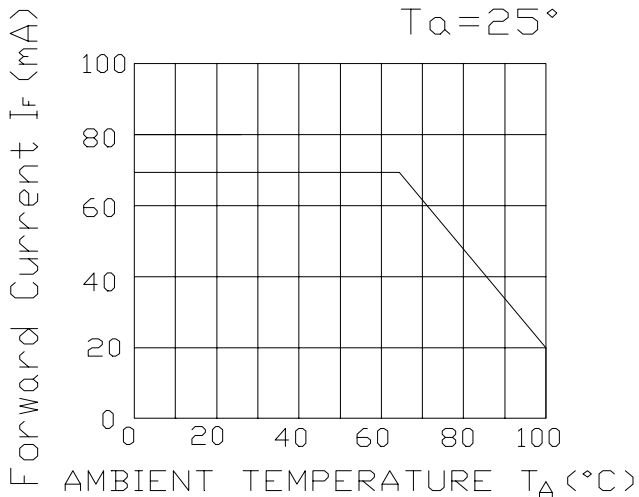
## ■ Reliability test item and condition

NO	Item	Test Conditions	Test Hours/Cycle	Sample Size	Ac/Re
1	Soldering Heat	TEMP:260°C ± 5 °C	10±1 SEC	76 Pcs	0/1
2	Solderability	TEMP:230°C ± 5 °C	5±1 SEC	76 Pcs	0/1
3	Temperature Cycle	H : +85°C 30min ∩ 5 min L : -55°C 30min	50 CYCLES	76 Pcs	0/1
4	Thermal Shock	H : +100°C 5min ∩ 10 sec L : -10°C 5min	50 CYCLES	76 Pcs	0/1
5	High Temperature Storage	TEMP : 100°C	1000 HRS	76 Pcs	0/1
6	Low Temperature Storage	TEMP : -55°C	1000 HRS	76 Pcs	0/1
7	DC Operating Life	If(max) mA	1000 HRS	76 Pcs	0/1
8	High Temperature / High Humidity	85°C/85% RH	1000 HRS	76 Pcs	0/1



Device Number : DLE-300-008 REV: 1.3  
 MODEL NO : 30-01USRC ECN :                      Page: 4/4

■ Typical Electro-Optical Characteristic Curves



■ Specifications for Bin Grading

30-01USRC -  ①       ②       ③

① $V_f$ (v)			② $\lambda d$ (nm)			③ $\Phi_v$ (mlm)		
Bin	Min	Max	Bin	Min	Max	Bin	Min	Max
1	1.71	1.95	K	626	636	U	500	830
2	1.83	2.07				V	680	1310
3	1.95	2.19				W	990	1760
4	2.07	2.31				X	1440	2750
5	2.19	2.43				Y	2250	4100
6	2.31	2.55						
7	2.43	2.67						
8	2.55	2.79						
9	2.67	2.91						