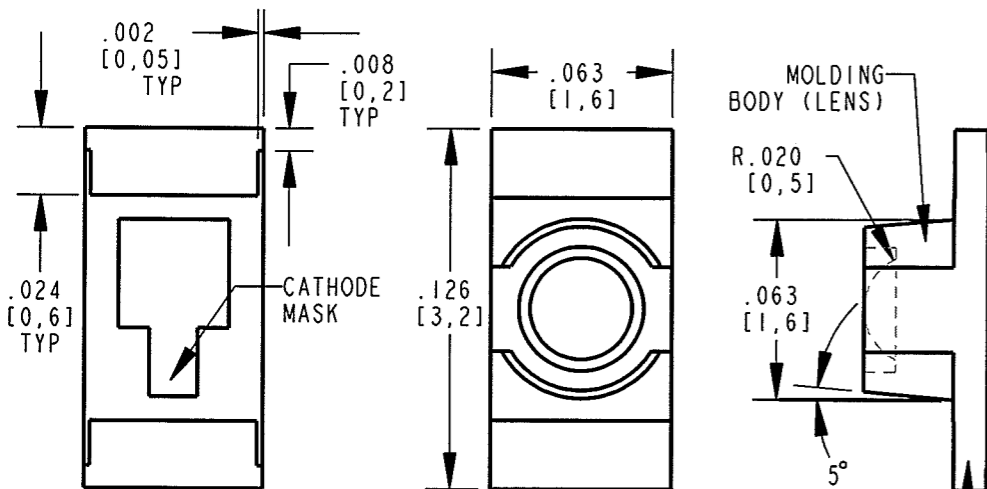
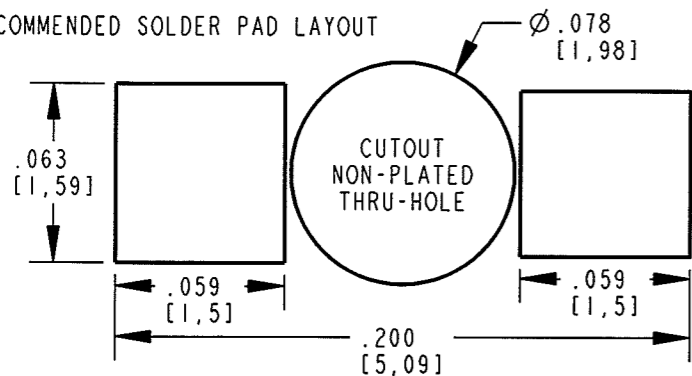


OPERATING CHARACTERISTICS AT 25°C AMBIENT

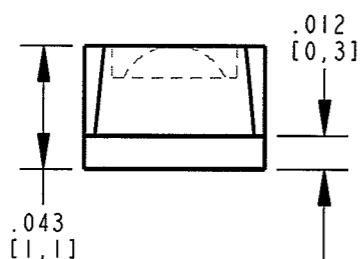
DIALIGHT PART NUMBER	COLOR	LUMINOUS INTENSITY @I _F = 20 mA (mcd)			FORWARD VOLTAGE @I _F = 20 mA (V)			REVERSE CURRENT (μA)	DOMINANT WAVELENGTH (nm)			PEAK WAVELENGTH (nm)	VIEWING ANGLE (DEG)
		MIN	TYP	MAX	MIN	TYP	MAX		MIN	TYP	MAX		
597-6001-602F, -607F	RED	18.0		280.0		2.0	2.4	10		631		639	70
597-6201-602F, -607F	ORANGE	71.0		450.0		2.0	2.4	10		605		611	
597-6301-602F, -607F	GREEN	112.0		710.0	2.8		3.8	100		525		530	
597-6401-602F, -607F	YELLOW	28.0		450.0		2.0	2.4	10		587		588	
597-6501-602F, -607F	YELLOW-GREEN	28.0		180.0	1.8		2.4	10	567.5		576.5	574	
597-6601-602F, -607F	BLUE	45.0		180.0		3.0	3.8	100	465		475	468	

ABSOLUTE MAXIMUM RATINGS AT 25°C AMBIENT	COLOR						UNITS
	RED	ORANGE	YELLOW	YELLOW-GREEN	GREEN	BLUE	
POWER DISSIPATION	75			76			mW
DC FORWARD CURRENT	30			20			mA
PEAK FORWARD CURRENT (1/10 DUTY CYCLE, 0.1 ms PULSE)	80			100			mA
DERATE LINEARLY FROM 25°C	0.4			0.25			mA/°C
REVERSE VOLTAGE	5						V
STORAGE TEMPERATURE	-55 TO +85						°C
OPERATING TEMPERATURE	-55 TO +85						°C
SOLDERING TEMPERATURE, FOR 5 SEC	260						°C

RECOMMENDED SOLDER PAD LAYOUT

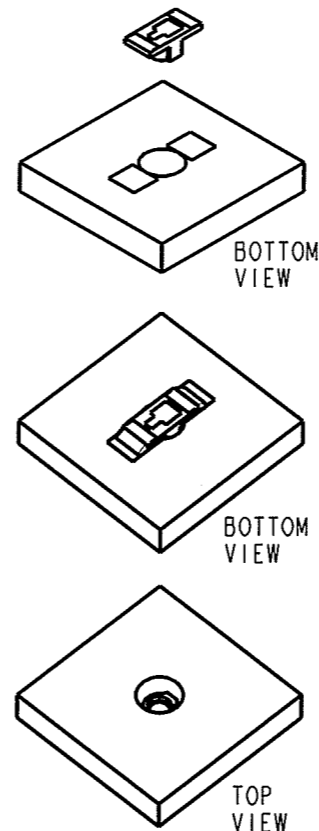


POLARITY



BIN CODE	LUMINOUS INTENSITY (mcd) @I _F =20mA	
	MIN	MAX
M	18.0	28.0
N	28.0	45.0
P	45.0	71.0
Q	71.0	112.0
R	112.0	180.0
S	180.0	280.0
T	280.0	450.0
U	450.0	710.0

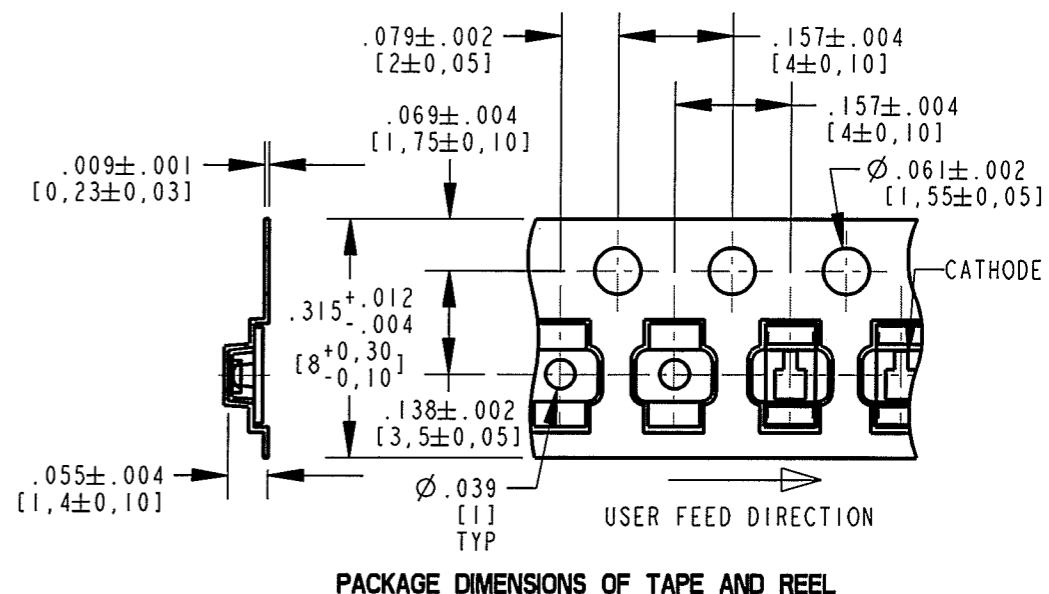
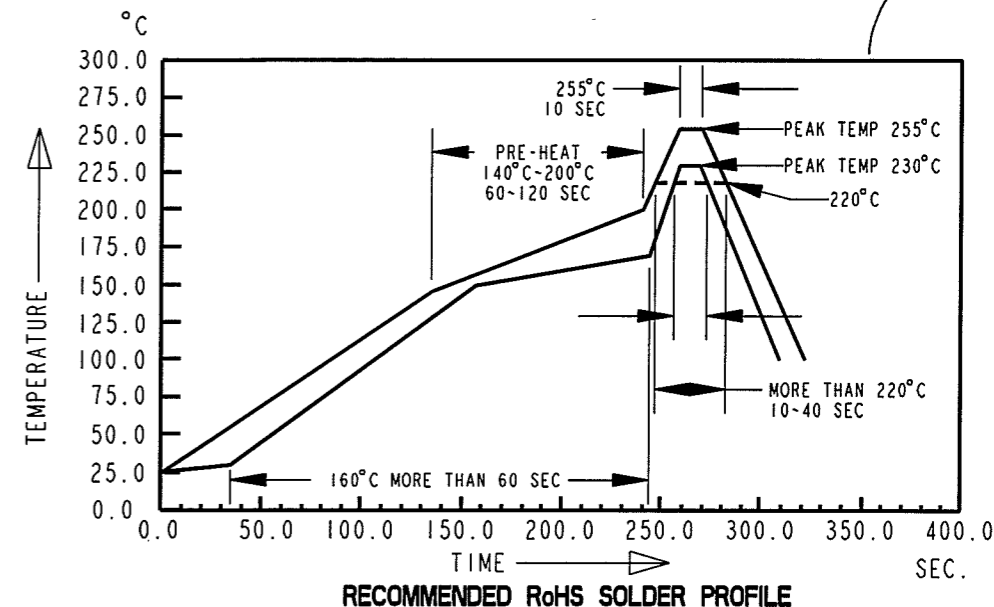
TOLERANCE ON EACH IV BIN IS ±15%



NOTES:

- LENS: WATER CLEAR
- LED CHIP: AllInGaP (RED, ORANGE, YELLOW, YELLOW-GREEN)
InGaN (GREEN, BLUE)
- LEADS ARE GOLD (Au) PLATED FINISH.
- PACKAGING: -602F SUFFIX MEANS 20 PCS SAMPLE STRIP
-607F SUFFIX MEANS 3000 PARTS/REEL, 7 INCH (180mm) DIA. REEL.
- DIALIGHT PART NUMBERS: 597-6001-602F, -607F; 597-6201-602F, -607F; 597-6301-602F, -607F; 597-6401-602F, -607F; 597-6501-602F, -607F; 597-6601-602F, -607F.
- THIS ASSEMBLY CONTAINS ELECTROSTATIC DISCHARGE SENSITIVE DEVICES (ESDS). MAINTAIN ALL PRECAUTIONARY MEASURES DURING ASSEMBLY, HANDLING, AND STORAGE IN ACCORDANCE WITH IPC-A-610.
- MOISTURE SENSITIVITY LEVEL 3.
- TAPE AND REEL LEDS MAY REQUIRE RE-TAPING AFTER TWELVE MONTHS.

REV	ECN NO	REVISIONS	DRN	CKD	APP	DATE
A		NEW RELEASE	KLJ	7.8		2/28/08



ATTENTION:
OBSERVE PRECAUTIONS FOR
HANDLING ELECTROSTATIC
SENSITIVE DEVICES

THIS DRAWING AND THE CONTENTS HEREIN ARE CONFIDENTIAL AND THE SOLE PROPERTY OF DIALIGHT. REPRODUCTION OF THIS DRAWING OR CONSTRUCTION OF ANY PARTS WITHIN THIS DRAWING ARE FORBIDDEN WITHOUT THE WRITTEN CONSENT OF DIALIGHT.		
SCALE: 15.000 ALL DIM'S IN: INCHES (MM)	DRAWING NUMBER C-17596	REV A
TOLERANCES: UNLESS OTHERWISE SPECIFIED FRACTIONS: ±1/64 DECIMALS (.XX): ±.01 DECIMALS (.XXX): ±.005 DECIMALS (.XXXX): ±.0005 ANGLES: ±1°	TITLE 3.2mm x 1.6mm x 1.1mm REVERSE MOUNT LED; RoHS COMPLIANT	
FINISH:	MATERIAL	
FSCM 83330	Dialight 1501 ROUTE 34 SOUTH FARMINGDALE, NJ 07727	
SHEET 1 OF 1 FAMILY TABLE:		

Mouser Electronics

Authorized Distributor

Click to View Pricing, Inventory, Delivery & Lifecycle Information:

Dialight:

[597-6601-602F](#) [597-6301-602F](#) [597-6401-602F](#) [597-6001-602F](#) [597-6501-602F](#) [597-6201-602F](#)