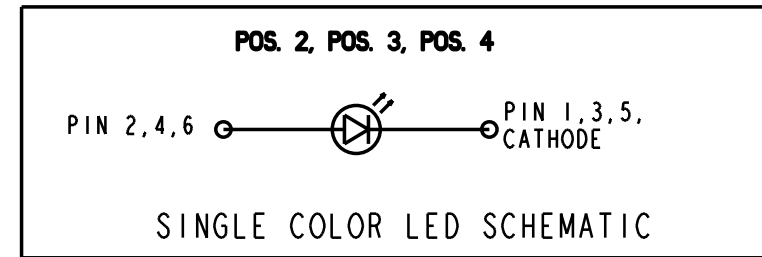
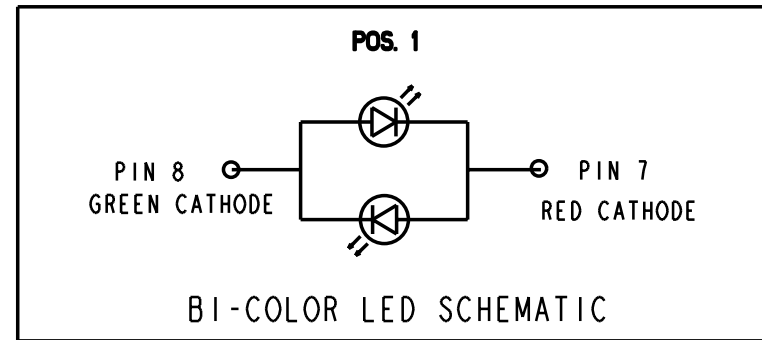


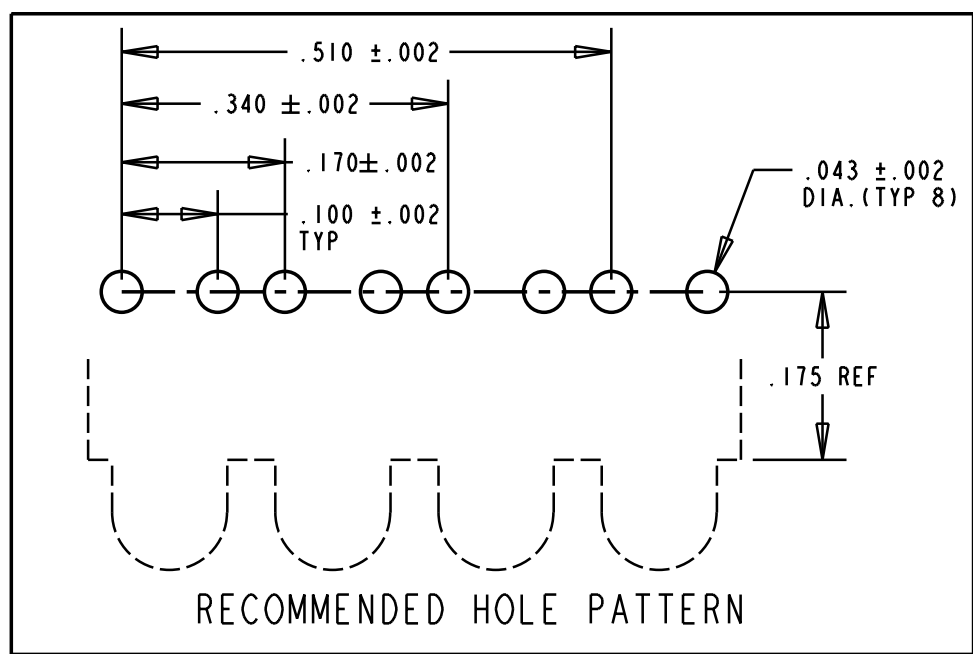
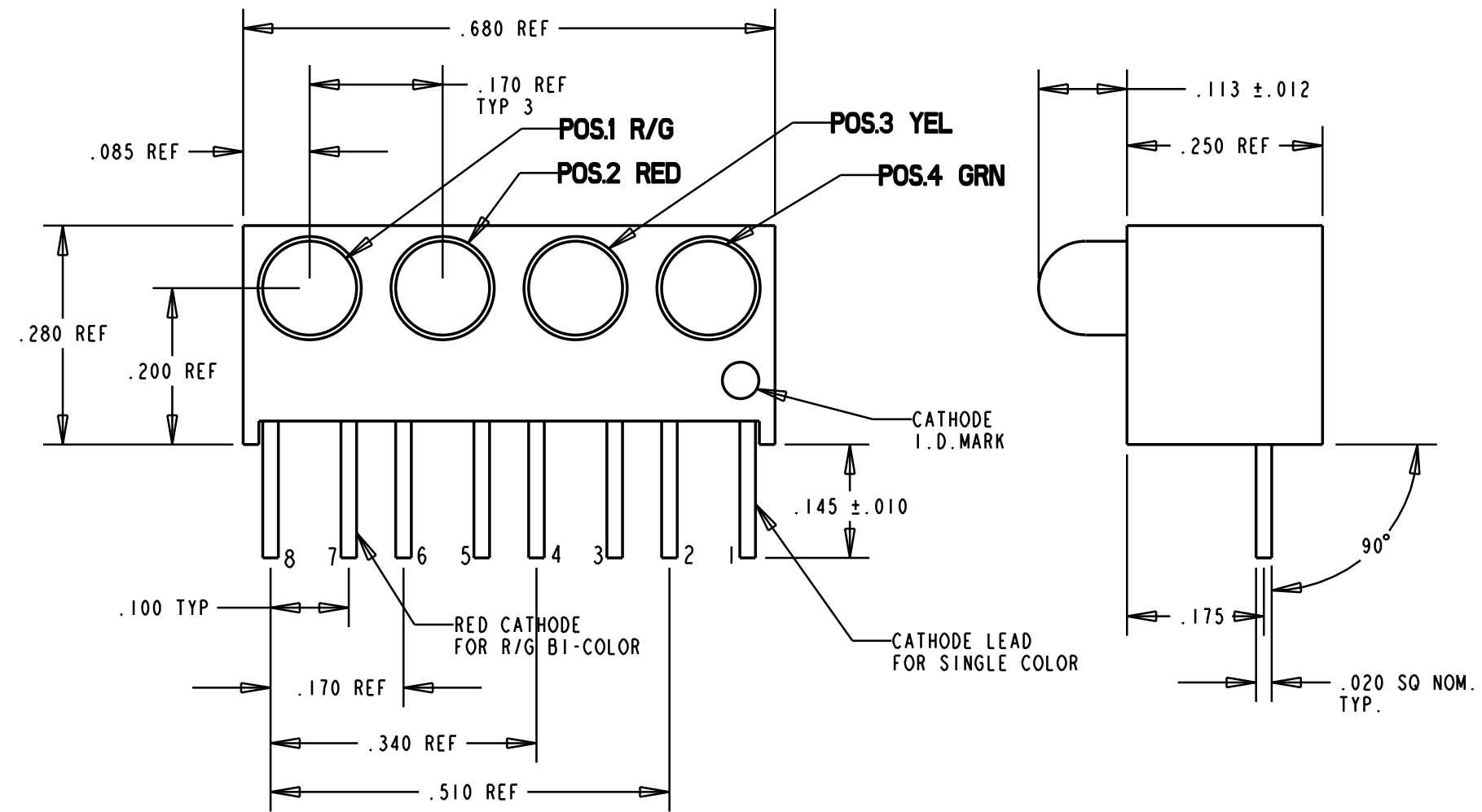
REV.	ECN NO.	REVISIONS	DRN.	CKD.	APP.	DATE
A		NEW RELEASE	DC			

OPERATING CHARACTERISTICS AT 25°C AMBIENT						
CHARACTERISTICS	LED COLOR	MIN	TYP	MAX	UNITS	TEST CONDITIONS
LUMINOUS INTENSITY	RED	3.6	10		mcd	I _f = 10 mA
	GREEN	5.6	16.0			
	YELLOW	2.2	6.3			
FORWARD VOLTAGE	RED		2.0	3.0	V	I _f = 10 mA
	GREEN		2.1	3.0		
	YELLOW		2.1	3.0		
REVERSE VOLTAGE	ALL	3			V	I _r = 10 μA
PEAK WAVELENGTH	RED		650		nm	
	GREEN		563			
	YELLOW		585			
VIEWING ANGLE	ALL		45		Degree	
CAPACITANCE	RED		9.2		pfd	V _a = 0 V, f = 1 MHz
	GREEN		16			
	YELLOW		5.0			

POS. 1	POS. 2	POS. 3	POS. 4
RED/GRN	RED	YELLOW	GREEN



ABSOLUTE MAXIMUM RATING AT 25°C AMBIENT				
	UNITS	RED	GREEN	YELLOW
POWER DISSIPATION	mW	60	75	60
CONTINUOUS FORWARD CURRENT	mA	20	25	20
DERATE LINEARLY FROM 50°C	mA/°C	0.5	0.5	0.5
PEAK FORWARD CURRENT	mA	60	60	60
LEAD SOLDERING TEMPERATURE, 5 SEC., 1/16" FROM BODY	°C	260	260	260
OPERATING TEMPERATURE	°C	-25 TO +85		
STORAGE TEMPERATURE	°C	-30 TO +100		



LED COLOR = RED/GREEN BI-COLOR						
OPERATING CHARACTERISTICS AT 25°C AMBIENT						
CHARACTERISTICS	COLOR	MIN	TYP	MAX	UNITS	TEST CONDITIONS
LUMINOUS INTENSITY	GREEN	3.7	10.0		mcd	I _f = 10 mA
	RED	2.5	4.7			
FORWARD VOLTAGE	GREEN		2.1	2.8	V	I _f = 20 mA
	RED		2.0			
REVERSE CURRENT	GREEN			100	μA	V _a = 5 V
PEAK WAVELENGTH	GREEN		565		nm	I _f = 20 mA
	RED		635			
VIEWING ANGLE	GREEN		60		Degree	I _f = 20 mA
CAPACITANCE	GREEN		35		pfd	V _a = 0 V, f = 1 MHz
	RED		20			

ABSOLUTE MAXIMUM RATING AT 25°C AMBIENT		
	UNITS	RED/GRN
POWER DISSIPATION	mW	100
CONTINUOUS FORWARD CURRENT	mA	30
DERATE LINEARLY FROM 50°C	mA/°C	0.40
PEAK FORWARD CURRENT (1/10 DUTY CYCLE, 10 ms PULSE WIDTH)	mA	120
LEAD SOLDERING TEMPERATURE, 5 SEC., 1/16" FROM BODY	°C	260
OPERATING TEMPERATURE	°C	-55 TO +100
STORAGE TEMPERATURE	°C	-55 TO +100

- NOTES:
- LEADS TO FIT INTO HOLES SPACED AS PER HOLE PATTERN
 - PIN NUMBERS FOR REFERENCE ONLY.
 - LED LEAD DIMENSIONS SHOWN ARE MEASURED AT HOUSING EXIT
 - DIALIGHT PART NUMBER = 551-0004-833

THIS DRAWING AND THE CONTENTS HEREIN ARE CONFIDENTIAL AND THE SOLE PROPERTY OF DIALIGHT. REPRODUCTION OF THIS DRAWING OR CONSTRUCTION OF ANY PARTS WITHIN THIS DRAWING ARE FORBIDDEN WITHOUT THE WRITTEN CONSENT OF DIALIGHT.		
SCALE 5:1	DRAWING NUMBER	REV
ALL DIM'S IN: INCHES	C-16639	A
TOLERANCES: UNLESS OTHERWISE SPECIFIED	TITLE	
FRACTIONS: ±1/64	1x4 CBI BLOCK	
DECIMALS (.XX): ±.020	MATERIAL	
DECIMALS (.XXX): ±.015	Dialight	
ANGLES: ±3°	1913 ATLANTIC AVE.	
FINISH:	MANASQUAN, N.J. 08736	
FSCM 83330	SHEET OF	FAMILY TABLES:

Mouser Electronics

Authorized Distributor

Click to View Pricing, Inventory, Delivery & Lifecycle Information:

Dialight:

[551-0004-833F](#)