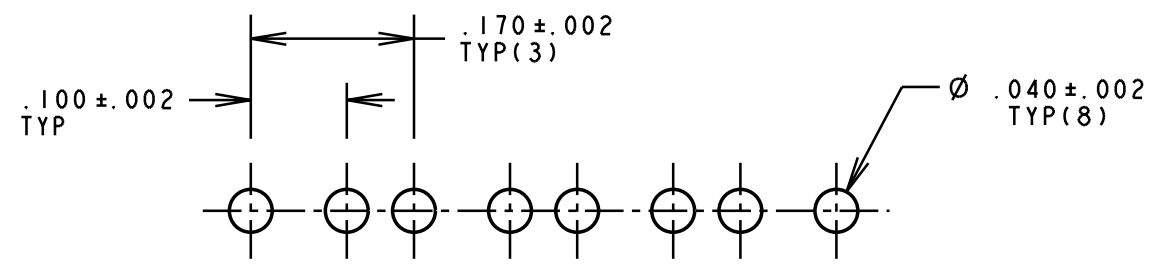
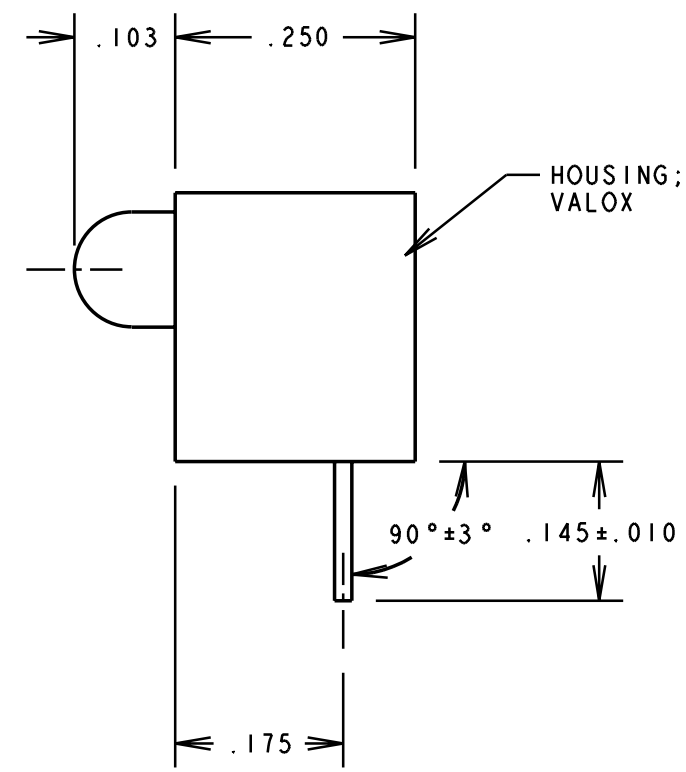
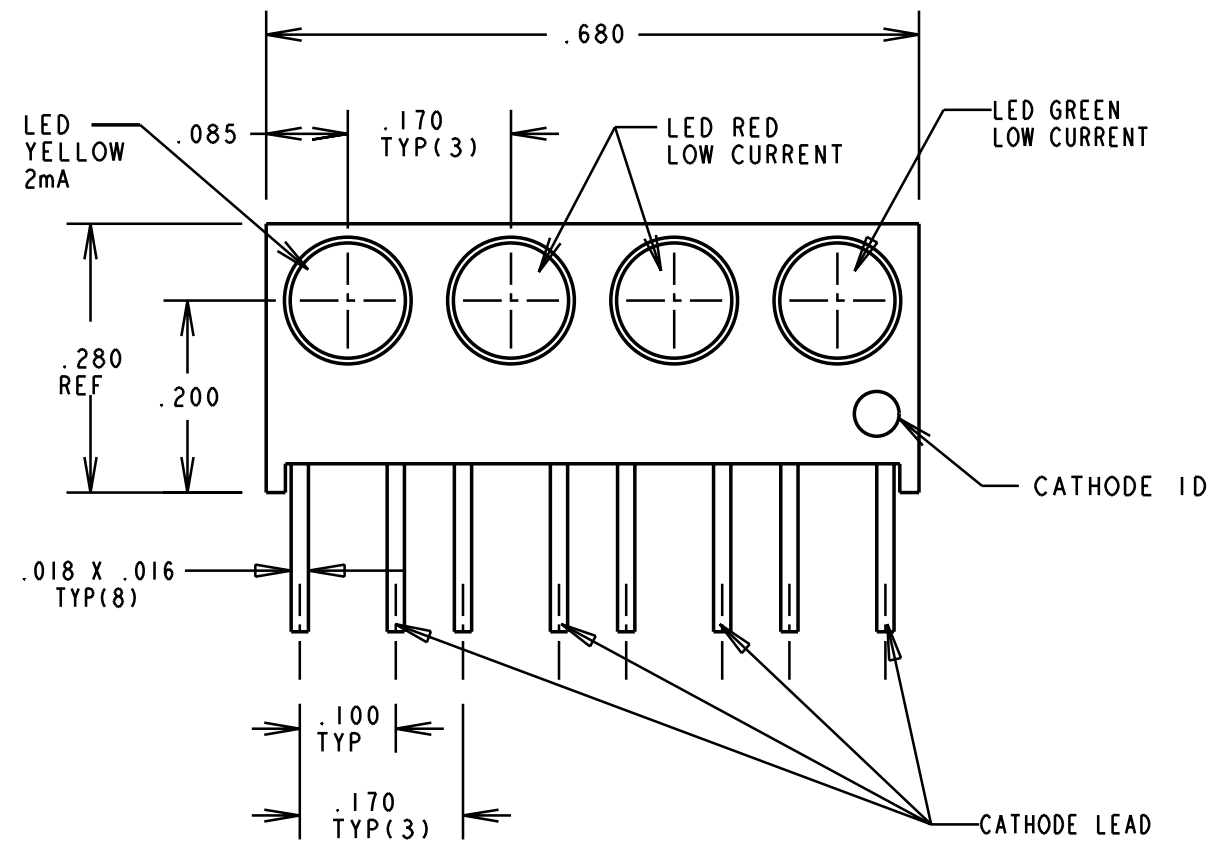
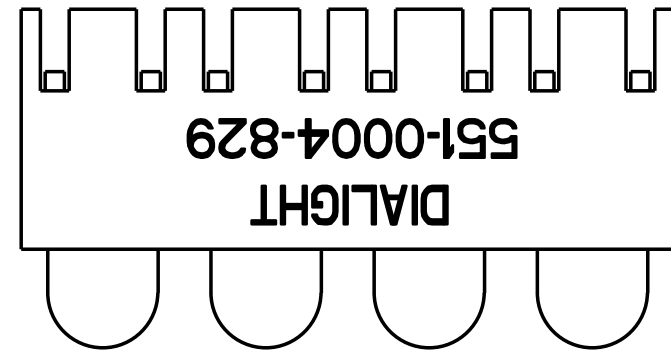


REV.	ECN NO.	REVISIONS	DRN.	CKD.	APP.	DATE
A	—	NEW RELEASE	TC		N.O.	10-30-97
B	—	THIRD LED FROM LEFT CHANGED COLOR, RED WAS GREEN; ADDED NOTE 1.	TC			



RECOMMENDED PC BOARD HOLE PATTERN

NOTES:
1. DIALIGHT PART NUMBER: 551-0004-829.

OPERATING CHARACTERISTICS AT T_A = 25 °C

SYMBOL	PARAMETER	COLOR	MIN	TYP	MAX	UNITS	TEST COND.
V _F	FORWARD VOLTAGE	RED		1.8	2.2	V	I _F = 2mA
		GREEN		1.8	2.2		
		YELLOW		1.9	2.7		
V _R	REVERSE VOLTAGE	ALL	5			V	I _R = 50µA
λ _{PK}	PEAK WAVELENGTH	RED		635		nm	
		GREEN		565			
		YELLOW		583			
I _V	LUMINOUS INTENSITY	RED	1.0	1.8		mcd	I _F = 2mA
		GREEN	1.0	1.6			
		YELLOW	1.0	1.6			

THIS DRAWING AND THE CONTENTS HEREIN ARE CONFIDENTIAL AND THE SOLE PROPERTY OF DIALIGHT. REPRODUCTION OF THIS DRAWING OR CONSTRUCTION OF ANY PARTS WITHIN THIS DRAWING ARE FORBIDDEN WITHOUT THE WRITTEN CONSENT OF DIALIGHT.

SCALE 5:1	DRAWING NUMBER	REV
ALL DIM'S IN: INCHES	C-16304	B
TOLERANCES: UNLESS OTHERWISE SPECIFIED	TITLE	
FRACTIONS: ±1/64	MATERIAL	
DECIMALS (.XX): ±.020	Dialight	
DECIMALS (.XXX): ±.015	1913 ATLANTIC AVE. MANASQUAN, N.J. 08736	
ANGLES: ±3°	SHEET	FAMILY TABLE:
FINISH:	83330	

Mouser Electronics

Authorized Distributor

Click to View Pricing, Inventory, Delivery & Lifecycle Information:

Dialight:

[551-0004-829F](#)