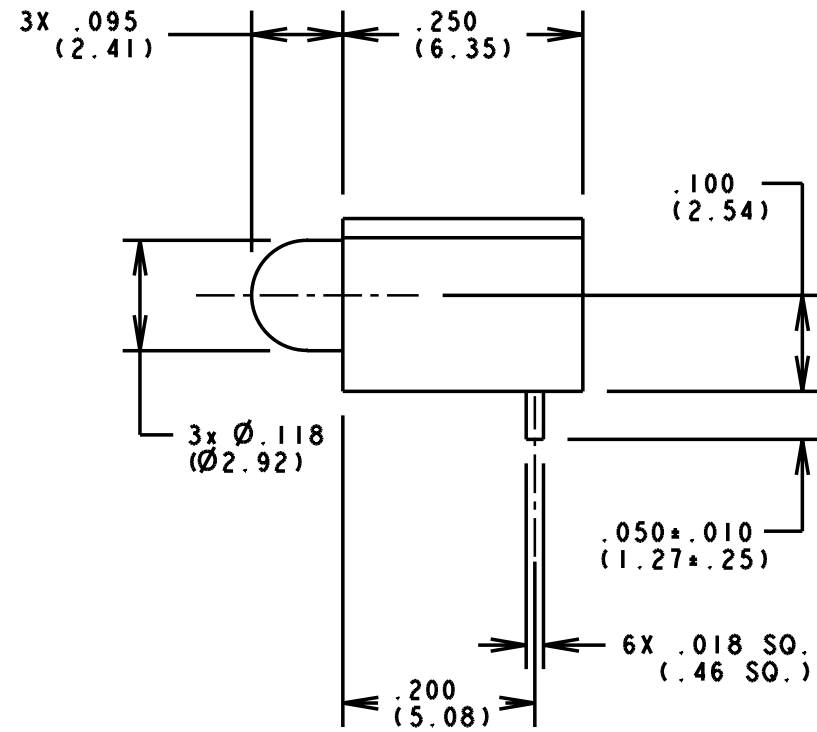
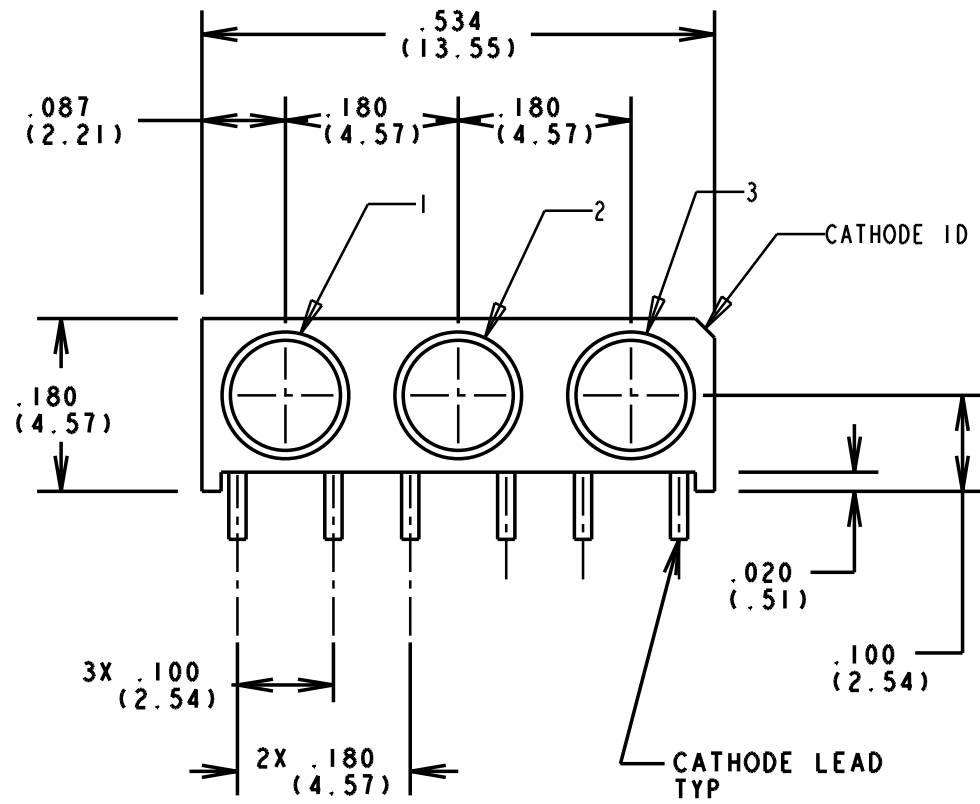
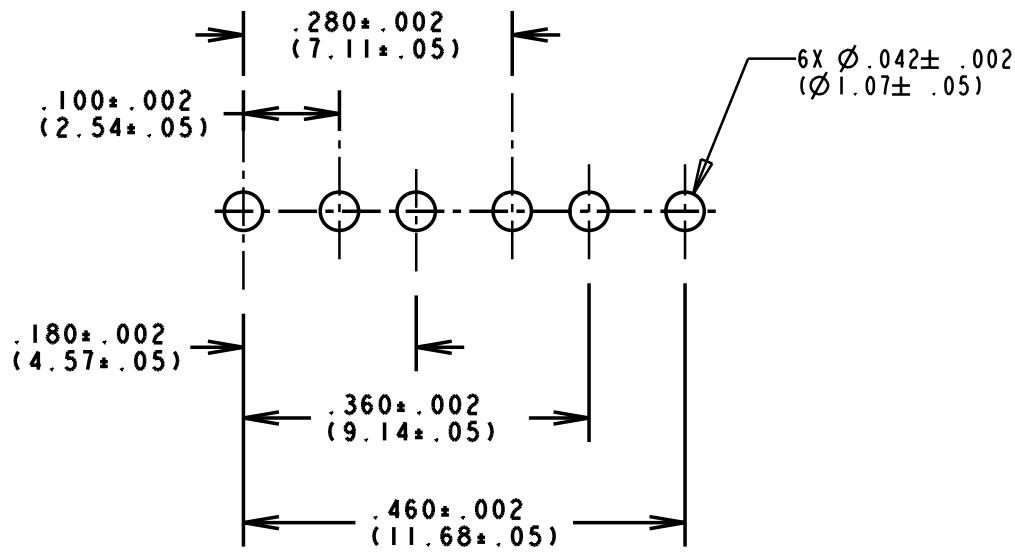


REV.	ECN NO.	REVISIONS	DRN.	CKD.	APP.	DATE
A	—	NEW RELEASE	LR		N.O.	4-22-96
B	—	GREEN LED FWD VOLT. TYP 2.1, MAX 2.8 WAS 2.3, 3.0 & ADDED TEST COND.; LUM. INT. MIN 4.7 TYP 12.6 WAS 4.0, 8.5; YELLOW LED FWD VOLT. TYP 2.1, MAX 2.8 WAS 2.3, 3.0; PEAK WAVELENGTH 585 WAS 583; LUM. INT. MIN 7.4 WAS 6.0; ADDED NOTE 3; Ø .118 WAS Ø .115.			TC	



NOTE:

- LED LEAD DIMENSIONS ARE MEASURED AT HOUSING EXIT.
- MILLIMETER DIMENSIONS SHOWN FOR REFERENCE ONLY.
- DIALIGHT PART NUMBER: 551-0003-806, 551-0003-807.



RECOMMENDED PC BOARD HOLE PATTERN

OPERATING CHARACTERISTICS AT $T_A = 25^\circ\text{C}$

SYMBOL	PARAMETER	COLOR	MIN	TYP	MAX	UNITS	TEST COND.
V_F	FORWARD VOLTAGE	YELLOW		2.1	2.8	V	$I_F = 20 \text{ mA}$
		GREEN		2.1	2.8		
V_R		ALL	5			V	$I_R = 100 \mu\text{A}$
λ_{PK}	PEAK WAVELENGTH	YELLOW		585		nm	MEASURED AT PEAK
		GREEN		565			
I_V	LUMINOUS INTENSITY	YELLOW	7.4	10.0		mcd	$I_F = 10 \text{ mA}$
		GREEN	4.7	12.6			

PART NUMBER	POS. 1	POS. 2	POS. 3
551-0003-806	GREEN	YELLOW	GREEN
551-0003-807	YELLOW	GREEN	YELLOW

THIS DRAWING AND THE CONTENTS HEREIN ARE CONFIDENTIAL AND THE SOLE PROPERTY OF DIALIGHT. REPRODUCTION OF THIS DRAWING OR CONSTRUCTION OF ANY PARTS WITHIN THIS DRAWING ARE FORBIDDEN WITHOUT THE WRITTEN CONSENT OF DIALIGHT.

SCALE 5:1	DRAWING NUMBER	REV
ALL DIM'S IN: INCHES	C-16086	B
TOLERANCES: UNLESS OTHERWISE SPECIFIED	TITLE	
FRACTIONS: ±1/64	MATERIAL	
DECIMALS (.XX): ±.020	Dialight	
DECIMALS (.XXX): ±.015	1913 ATLANTIC AVE. MANASQUAN, N.J. 08736	
ANGLES: ±3°	SHEET OF FAMILY TABLE:	
FINISH:	FSCM 83330	

Mouser Electronics

Authorized Distributor

Click to View Pricing, Inventory, Delivery & Lifecycle Information:

Dialight:

[551-0003-807F](#) [551-0003-806F](#)