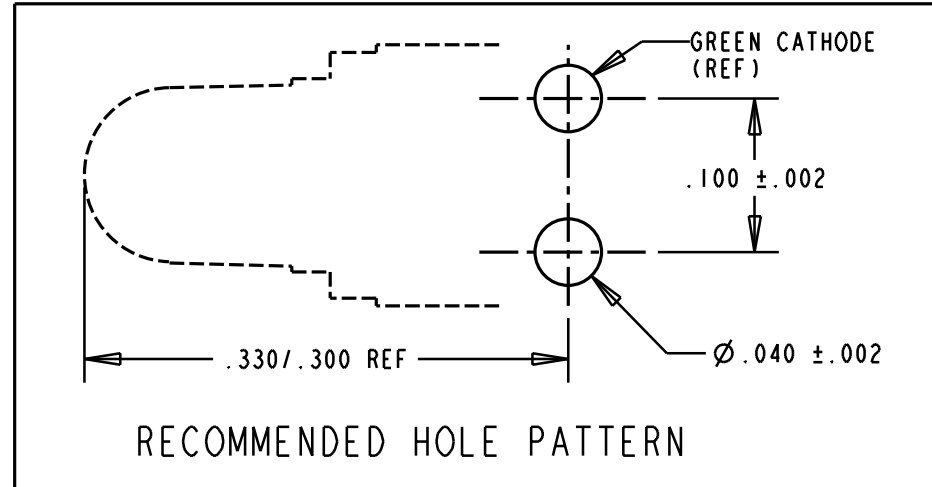


LED COLOR= RED/YEL BI-COLOR						
OPERATING CHARACTERISTICS AT 25°C AMBIENT						
CHARACTERISTICS	COLOR	MIN	TYP	MAX	UNITS	TEST CONDITIONS
LUMINOUS INTENSITY	GREEN	2.5	6.3		mcd	$I_f = 10 \text{ mA}$
	YELLOW	2.5	4.3			
FORWARD VOLTAGE	GREEN		2.1	2.8	V	$I_f = 20 \text{ mA}$
	YELLOW		2.1	2.8		
PEAK WAVELENGTH	GREEN		565		nm	
	YELLOW		585			
VIEWING ANGLE	ALL		80		Degree	
CAPACITANCE	GREEN		35		pF	$V_f = 0, f = 1 \text{ MHz}$
	YELLOW		15			



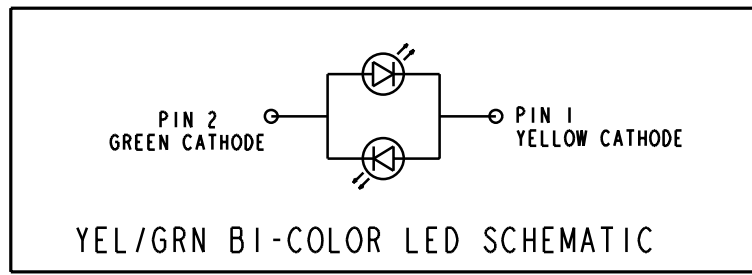
RECOMMENDED HOLE PATTERN

NOTES :

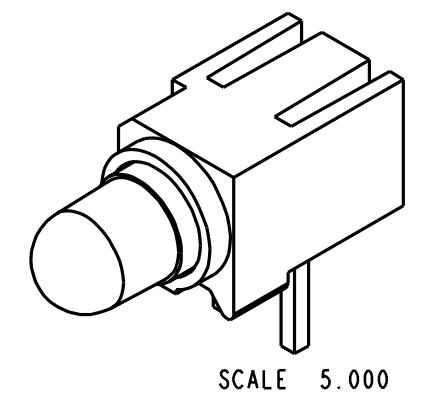
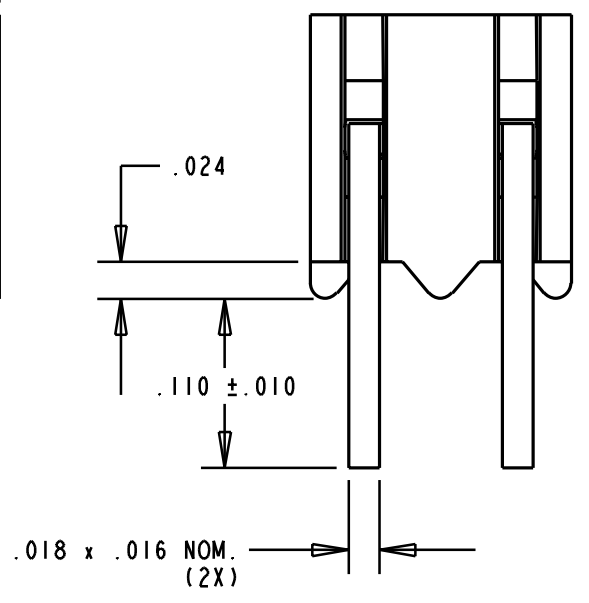
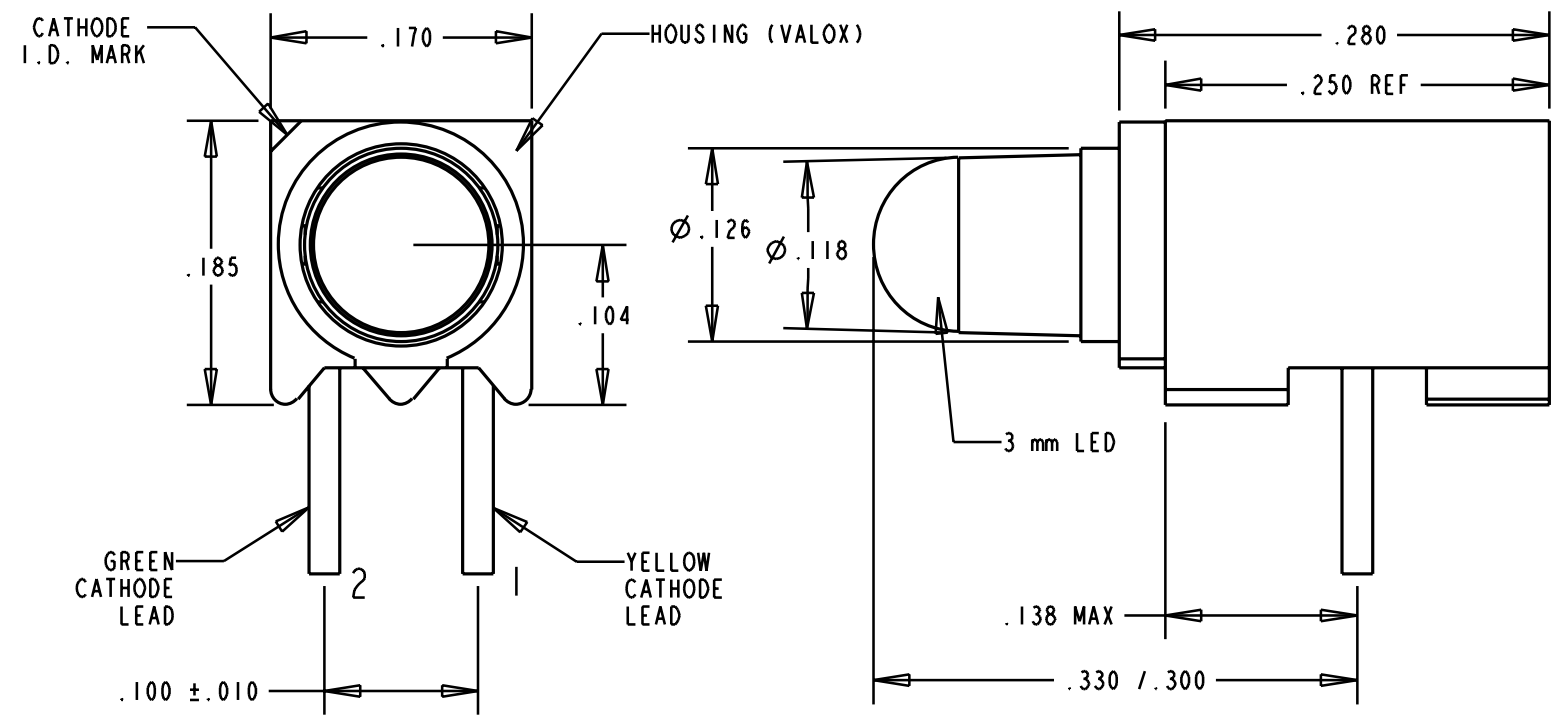
- 1- LEADS TO FIT INTO HOLES SPACED AS PER HOLE PATTERN
- 2- LEADS SPACING MEASURED AT HOUSING EXIT.
3. PIN NUMBERS FOR REFERENCE ONLY, DESIGNATION NON-EXISTENT ON PARTS.
- 4- DIALIGHT PART NUMBER = 551-0001-874

REV.	ECN NO.	REVISIONS	DRN.	CKD.	APP.	DATE
A		NEW RELEASE	DC			

ABSOLUTE MAXIMUM RATING AT 25°C AMBIENT			
	UNITS	GREEN	YELLOW
POWER DISSIPATION	mW	100	60
CONTINUOUS FORWARD CURRENT	mA	30	20
DERATE LINEARLY FROM 50°C	mA/°C	0.4	0.25
PEAK FORWARD CURRENT (1/10 DUTY CYCLE, 0.1 ms PULSE WIDTH)	mA	120	80
LEAD SOLDERING TEMPERATURE, 5 SEC., 1/16" FROM BODY	°C	260	
OPERATING TEMPERATURE	°C	-55 TO +100	
STORAGE TEMPERATURE	°C	-55 TO +100	



YEL/GRN BI-COLOR LED SCHEMATIC



THIS DRAWING AND THE CONTENTS HEREIN ARE CONFIDENTIAL AND THE SOLE PROPERTY OF DIALIGHT. REPRODUCTION OF THIS DRAWING OR CONSTRUCTION OF ANY PARTS WITHIN THIS DRAWING ARE FORBIDDEN WITHOUT THE WRITTEN CONSENT OF DIALIGHT.		
SCALE 8:1	DRAWING NUMBER	REV
ALL DIM'S IN: INCHES	C-16702	A
TOLERANCES: UNLESS OTHERWISE SPECIFIED	TITLE	
FRACTIONS: ±1/64	YEL/GRN BI-COLOR 3mm CBI	
DECIMALS (.XX): ±.02	MATERIAL	
DECIMALS (.XXX): ±.015	Dialight	
ANGLES: ±3°	1913 ATLANTIC AVE.	
FINISH:	MANASQUAN, N.J. 08736	
FSCM 83330	SHEET OF	FAMILY TABLE: